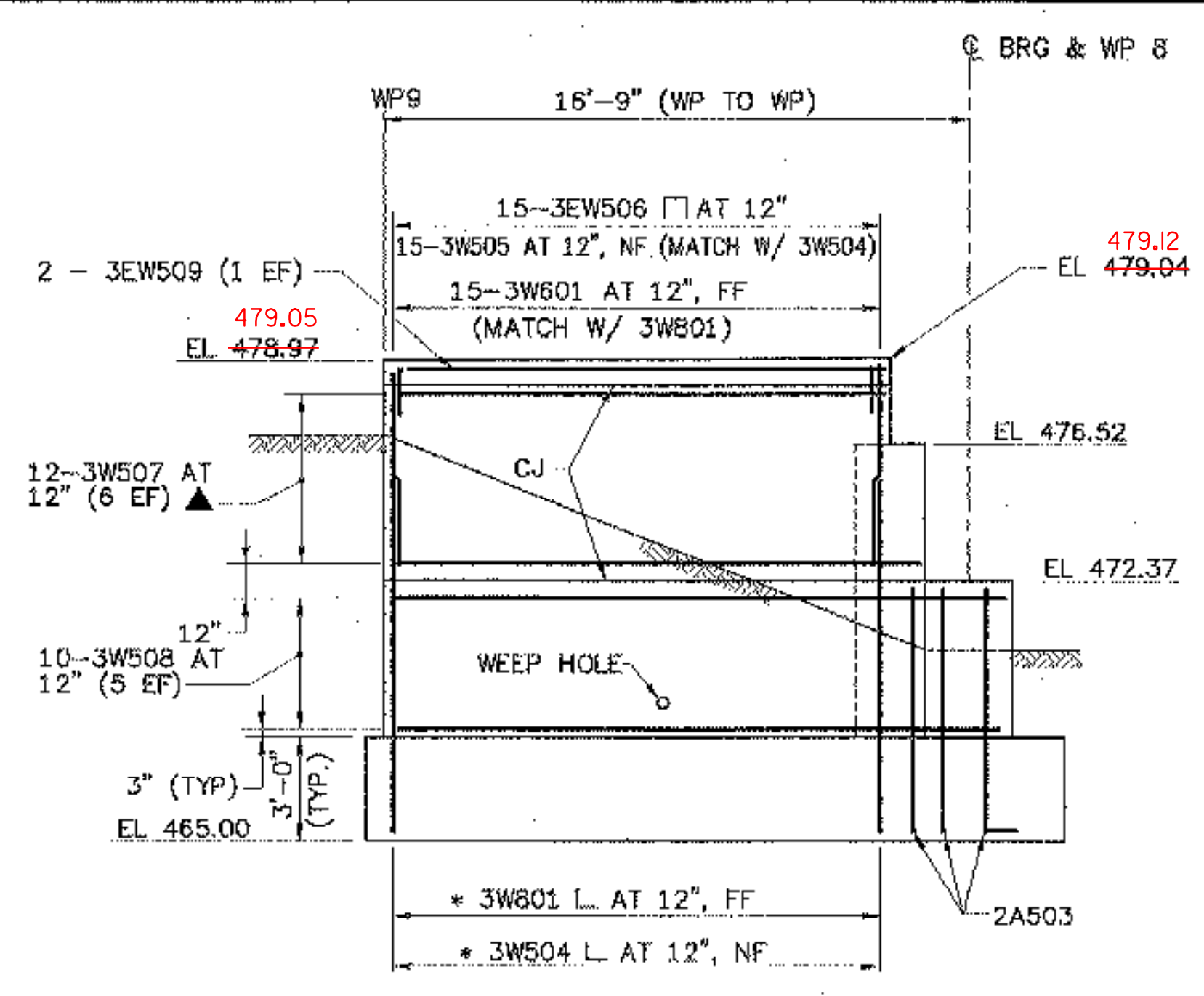
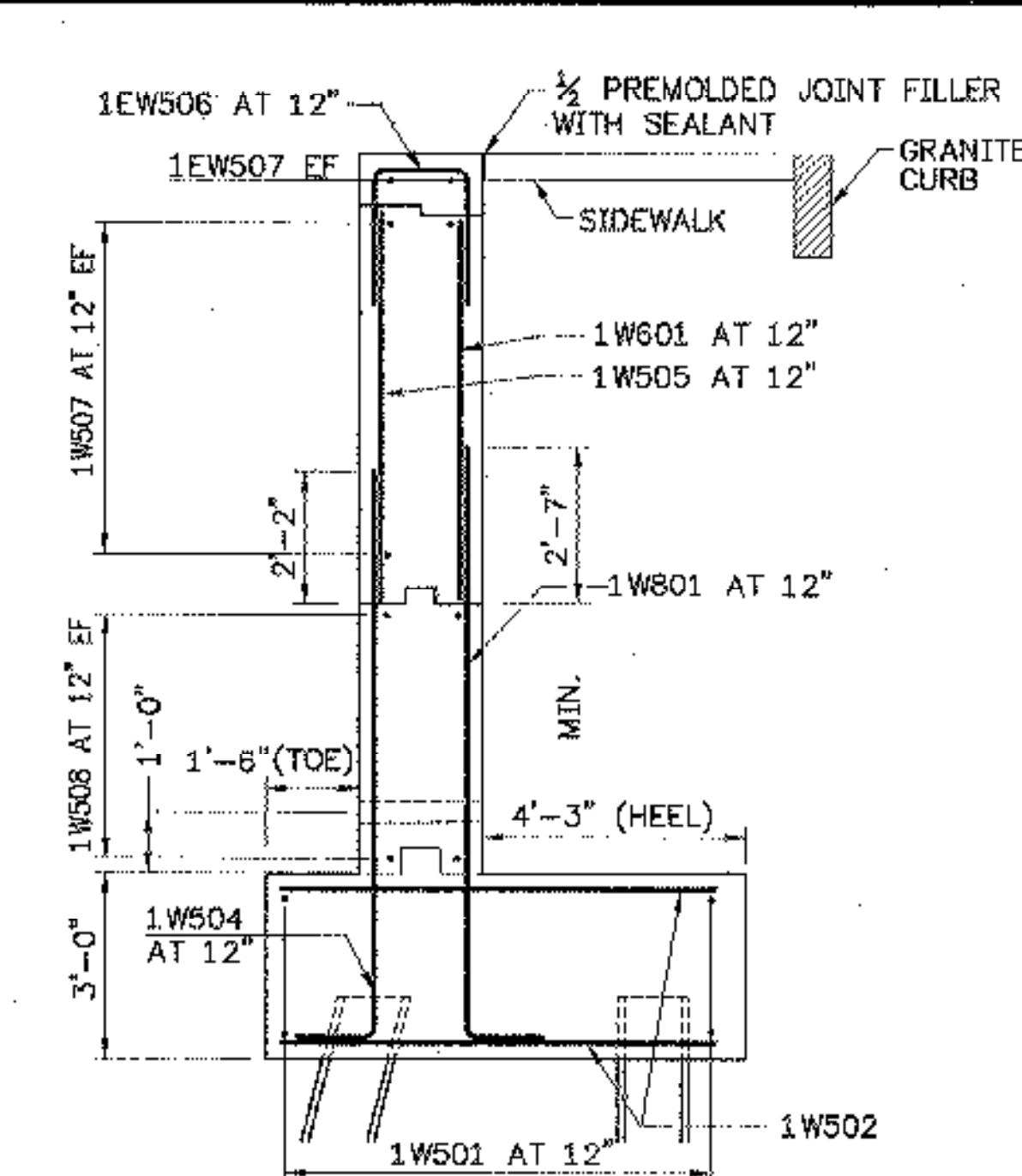


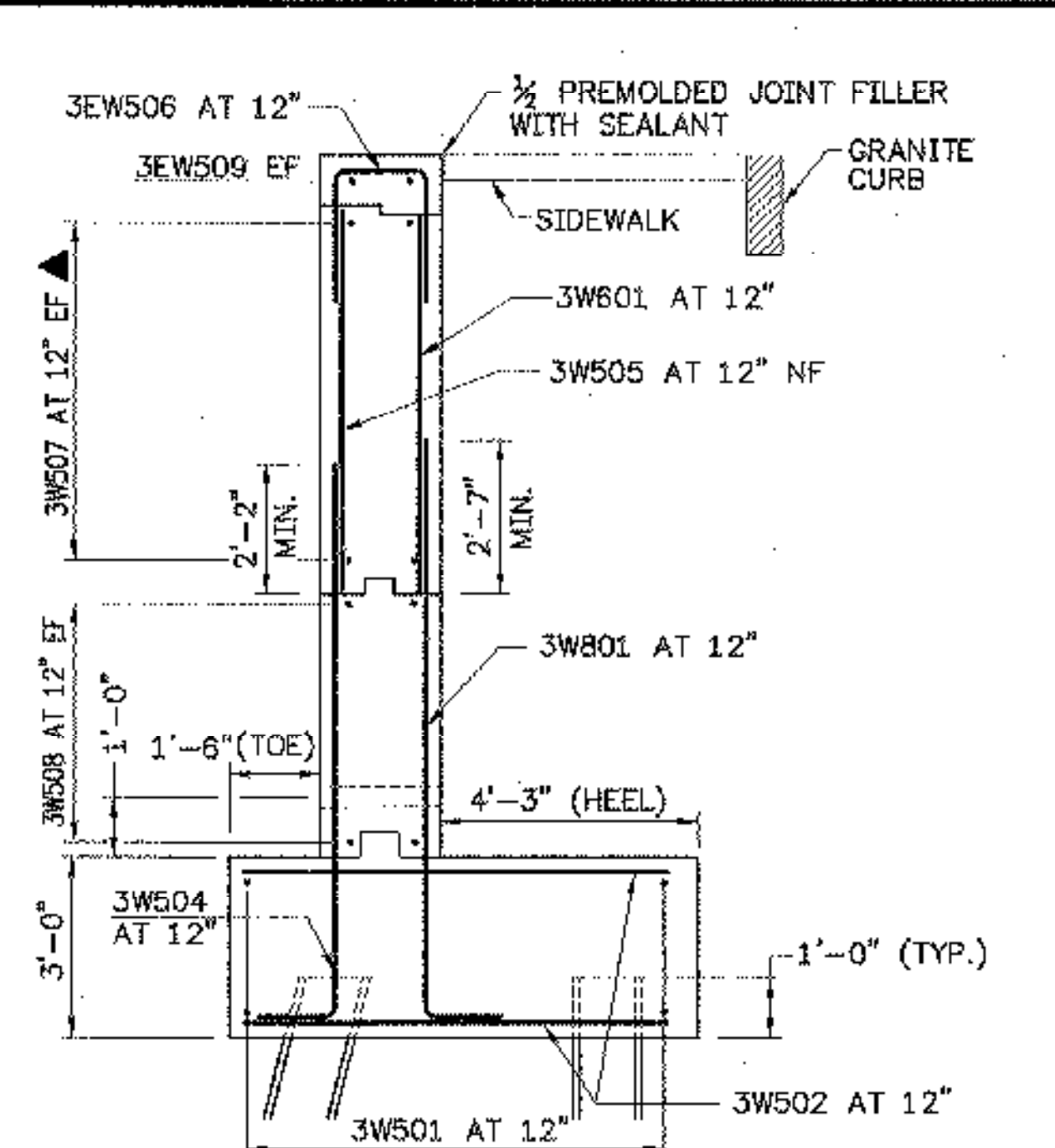
**WINGWALL NO. 1 ELEVATION**  
SCALE: 1/4" = 1'-0"



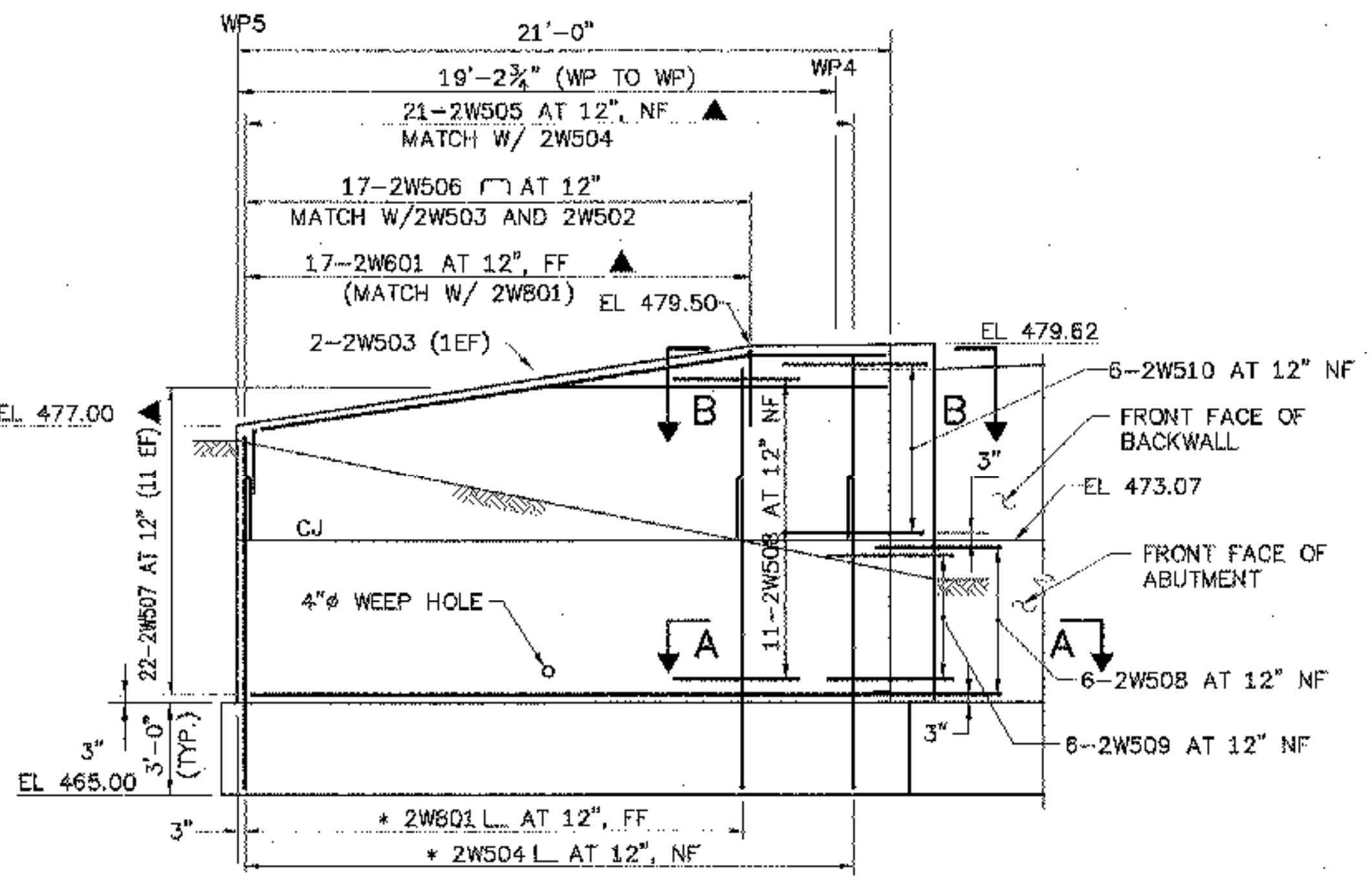
**WINGWALL NO. 3 ELEVATION**  
SCALE: 1/4" = 1'-0"



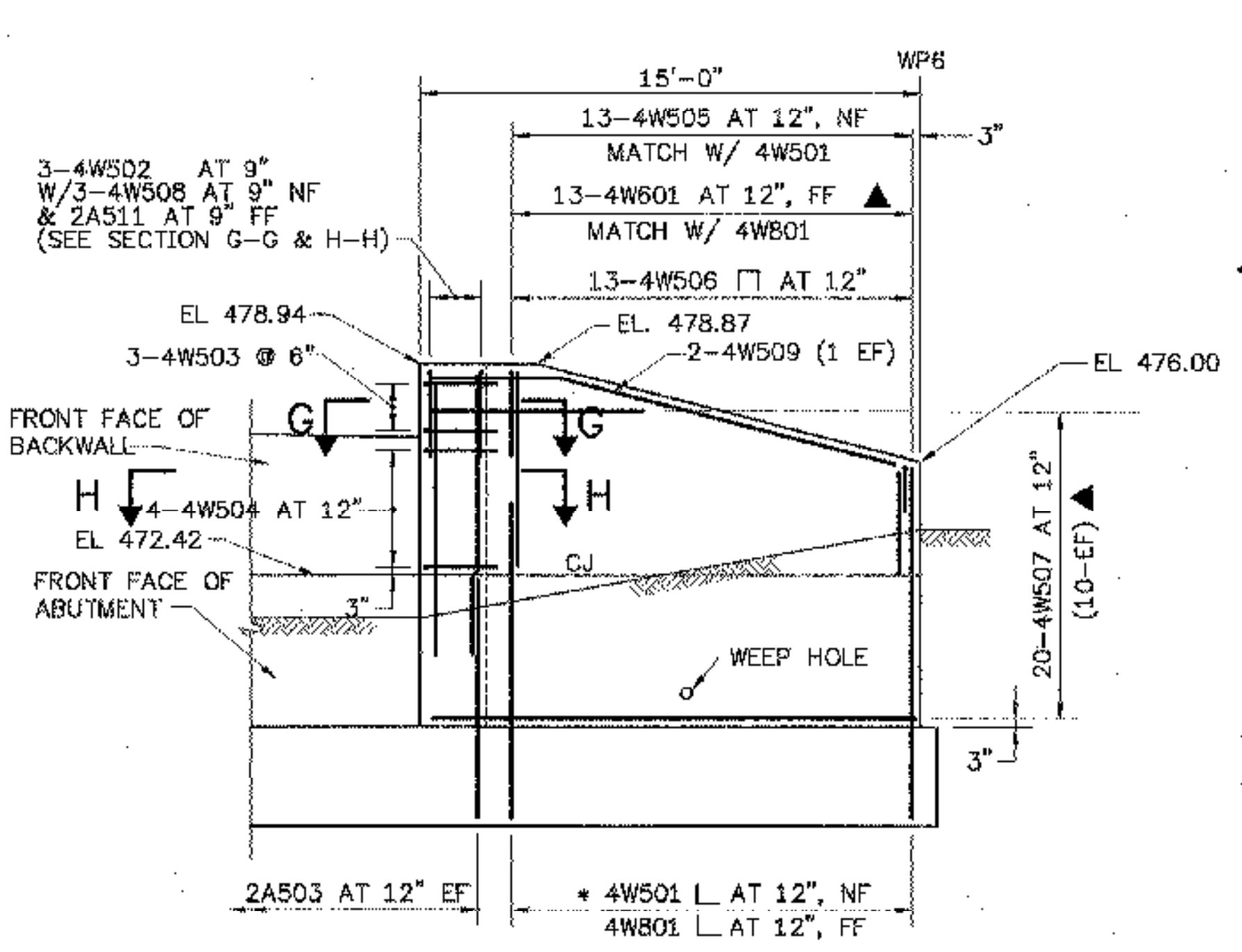
**TYPICAL SECTION-WINGWALL NO. 1**  
SCALE: 3/8" = 1'-0"



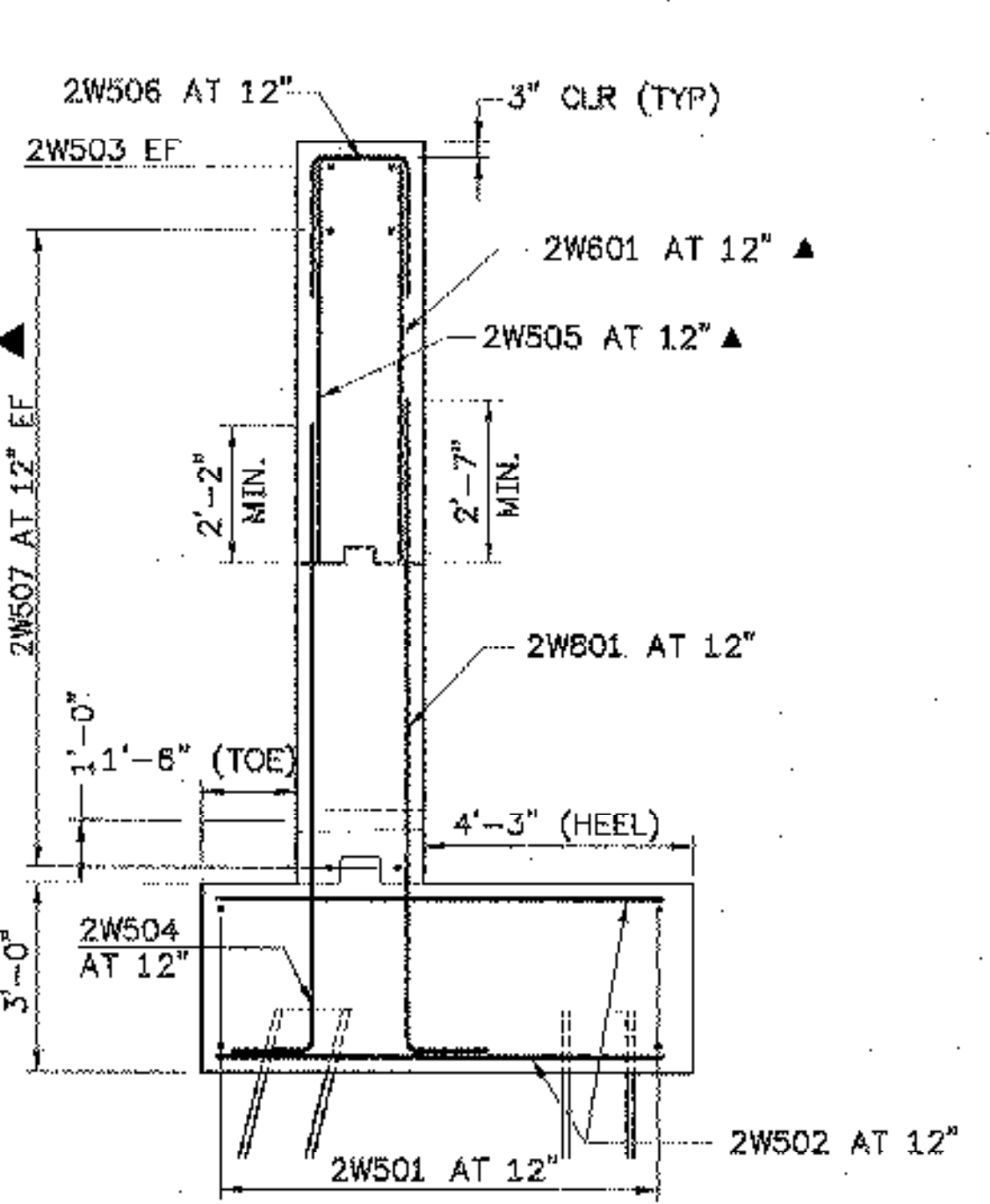
**TYPICAL SECTION-WINGWALL NO. 3**  
SCALE: 3/8" = 1'-0"



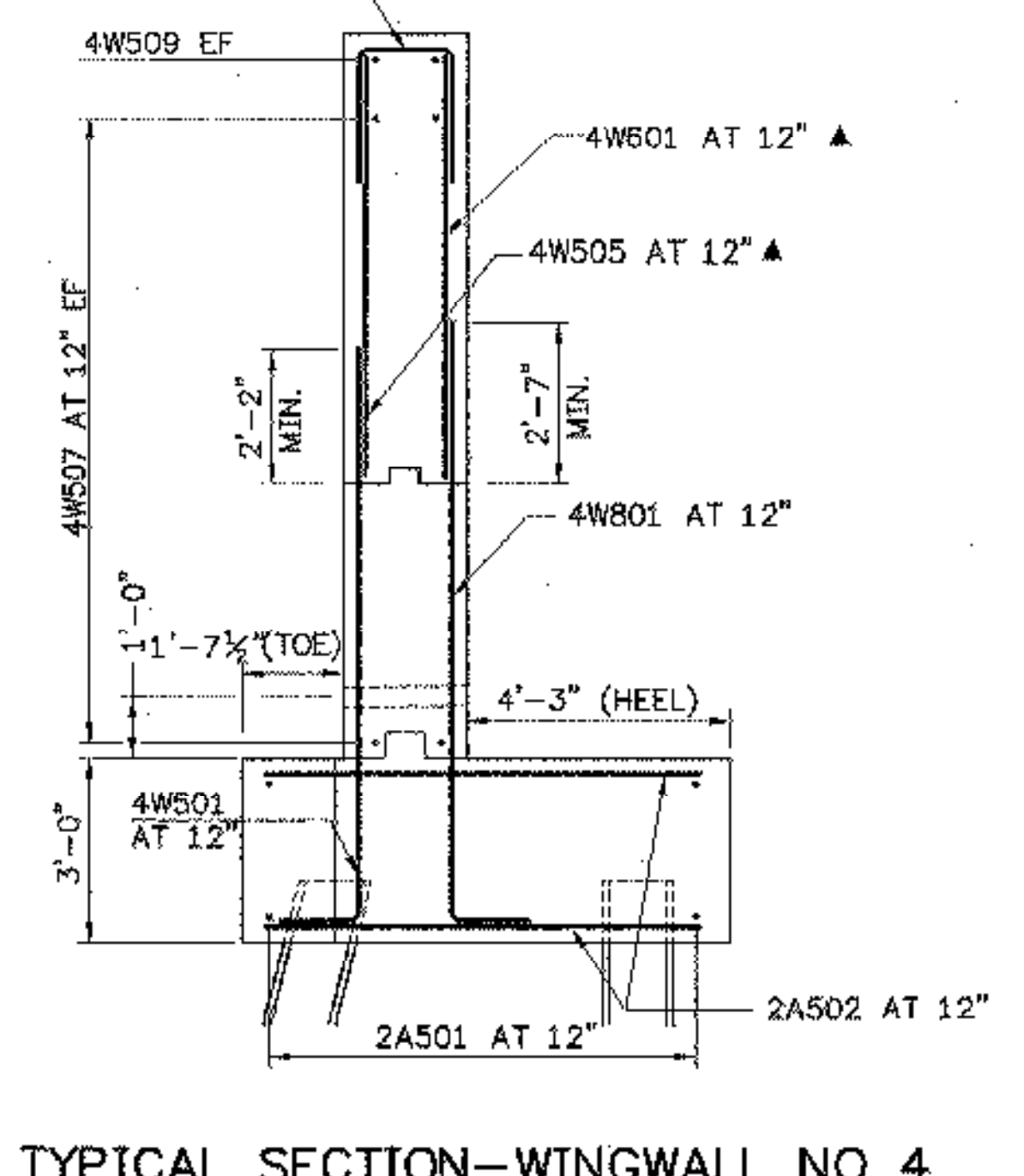
**WINGWALL NO. 2 ELEVATION**  
SCALE: 1/4" = 1'-0"



**WINGWALL NO. 4 ELEVATION**  
SCALE: 1/4" = 1'-0"



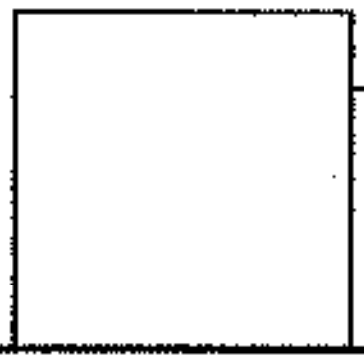
**TYPICAL SECTION-WINGWALL NO. 2**  
SCALE: 3/8" = 1'-0"



**TYPICAL SECTION-WINGWALL NO. 4**  
SCALE: 3/8" = 1'-0"

\* SEE FOOTING REINFORCEMENT PLAN

▲ CUT TO FIT IN FIELD  
FF FAR FACE  
NF NEAR FACE  
EF EACH FACE  
EW EACH WAY



**CLD**  
Consulting Engineers  
540 Commercial Street  
Manchester, NH 03101  
(603) 668-8223 FAX (603) 668-8002

<b>STATE OF VERMONT</b>			
<b>AGENCY OF TRANSPORTATION</b>			
Town Of	ROYALTON	Bridge No.	21
Highway No.	VT. ROUTE 14	Log Sta.	
		Surv. Sta.	
VT. ROUTE 14 OVER THE WHITE RIVER			
<b>WINGWALL ELEVATIONS &amp; SECTIONS</b>			
Designed By	AS	Drawn By	KBC/PHL
Checked By	Date	Bridge Design Supervisor	
CLW/LMM	11/00	LMM	Date 11/00
<b>PROJECT</b>	ROYALTON	<b>PROJECT NO.</b>	BRS 0147(5) S
I.G.C. Info.			
Bridge Sheet No.	Sheet 55 Of 76		