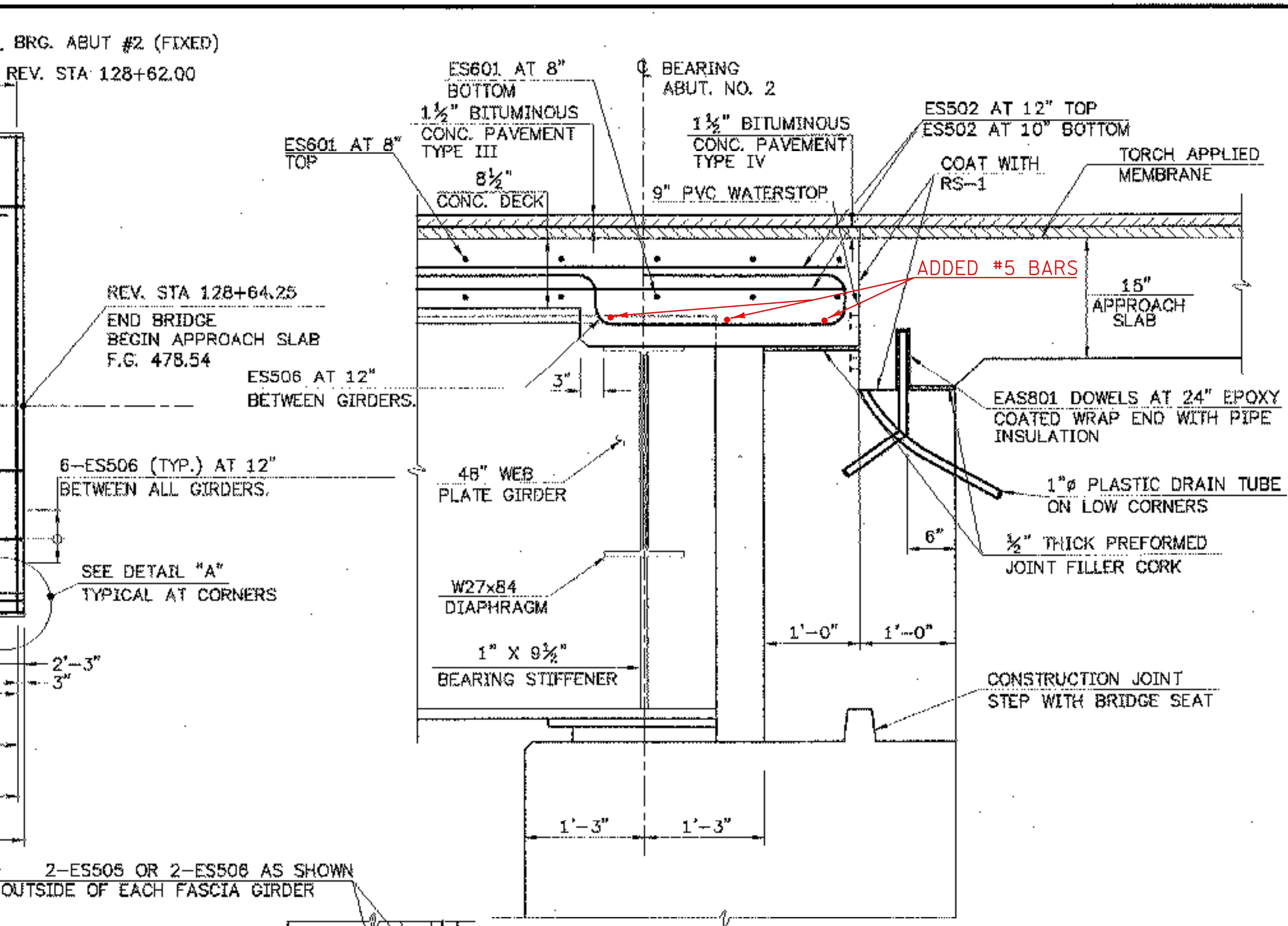
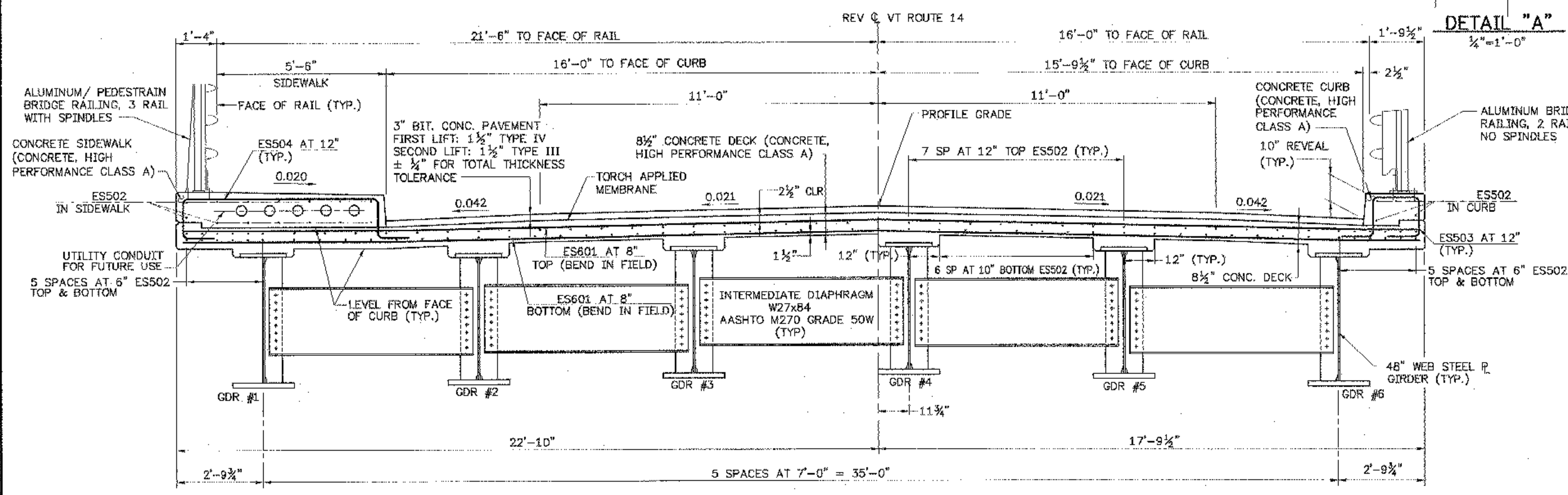


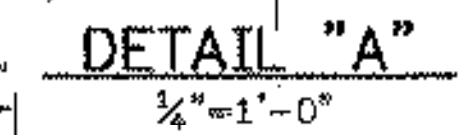
**DECK REINFORCING PLAN**  
SCALE: 1/8"=1'-0"



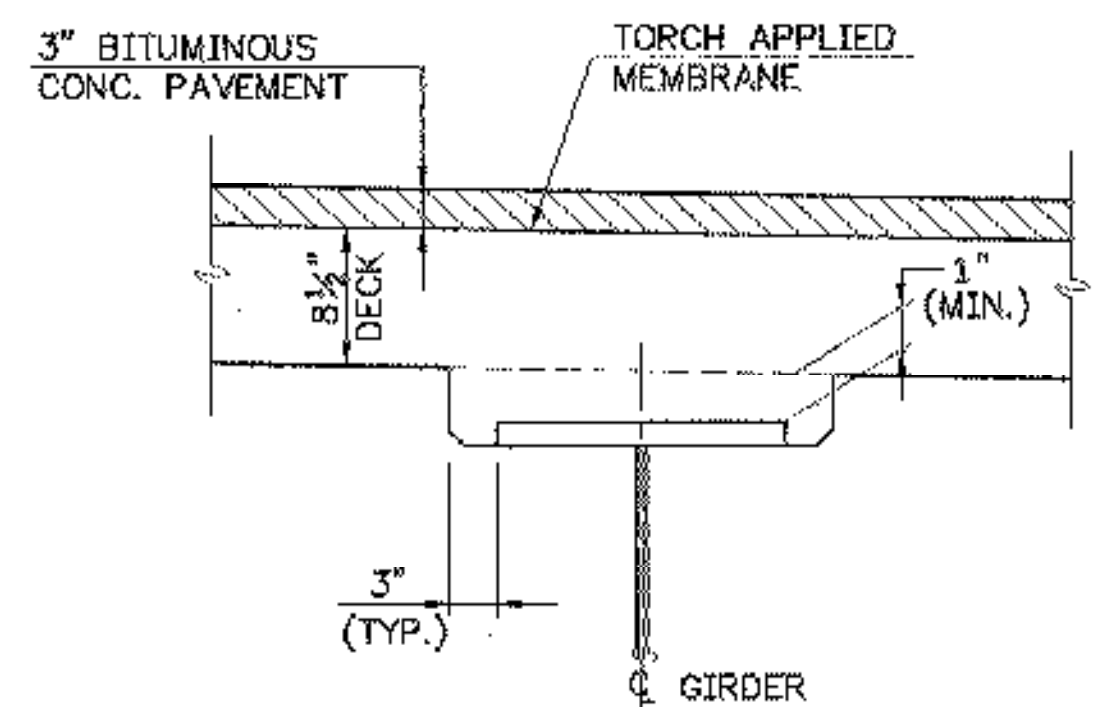
**FIXED END DETAIL AT ABUTMENT NO. 2**  
SCALE: 1"=1'-0"



**BRIDGE TYPICAL SECTION**  
SCALE: 1/2"=1'-0"



**DETAIL "A"**  
SCALE: 1/4"=1'-0"



**GIRDER HAUNCH DETAIL**  
SCALE: 1"=1'-0"

<b>STATE OF VERMONT AGENCY OF TRANSPORTATION</b>			
Town Of	ROYALTON	Bridge No.	21
Highway No.	VT. ROUTE 14	Log Sta.	
VT. Route 14 over the First Branch of the White River		Surv. Sta.	
<b>DECK DETAILS</b>			
Designed By	AS	Drawn By	SEN
Checked By	Date	Bridge Design Supervisor	
CLW/LMM	11/00	LMM	Date 11/00
<b>PROJECT</b>	ROYALTON	<b>PROJECT NO.</b>	BRS 0147(5) S
I.G.C. Info.			
Bridge Sheet No.	Sheet 41	Of	76



3/28/00 (1=1)