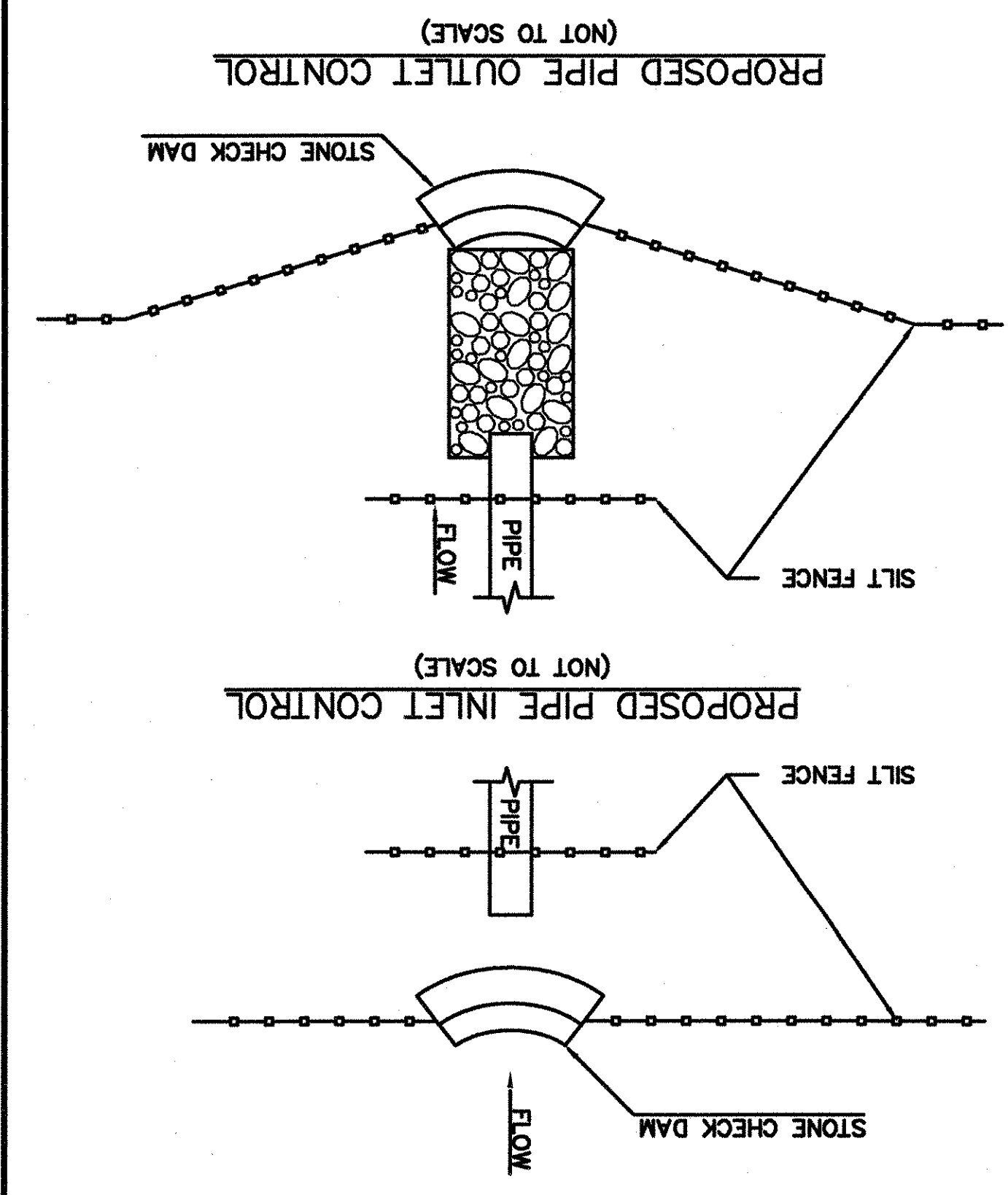
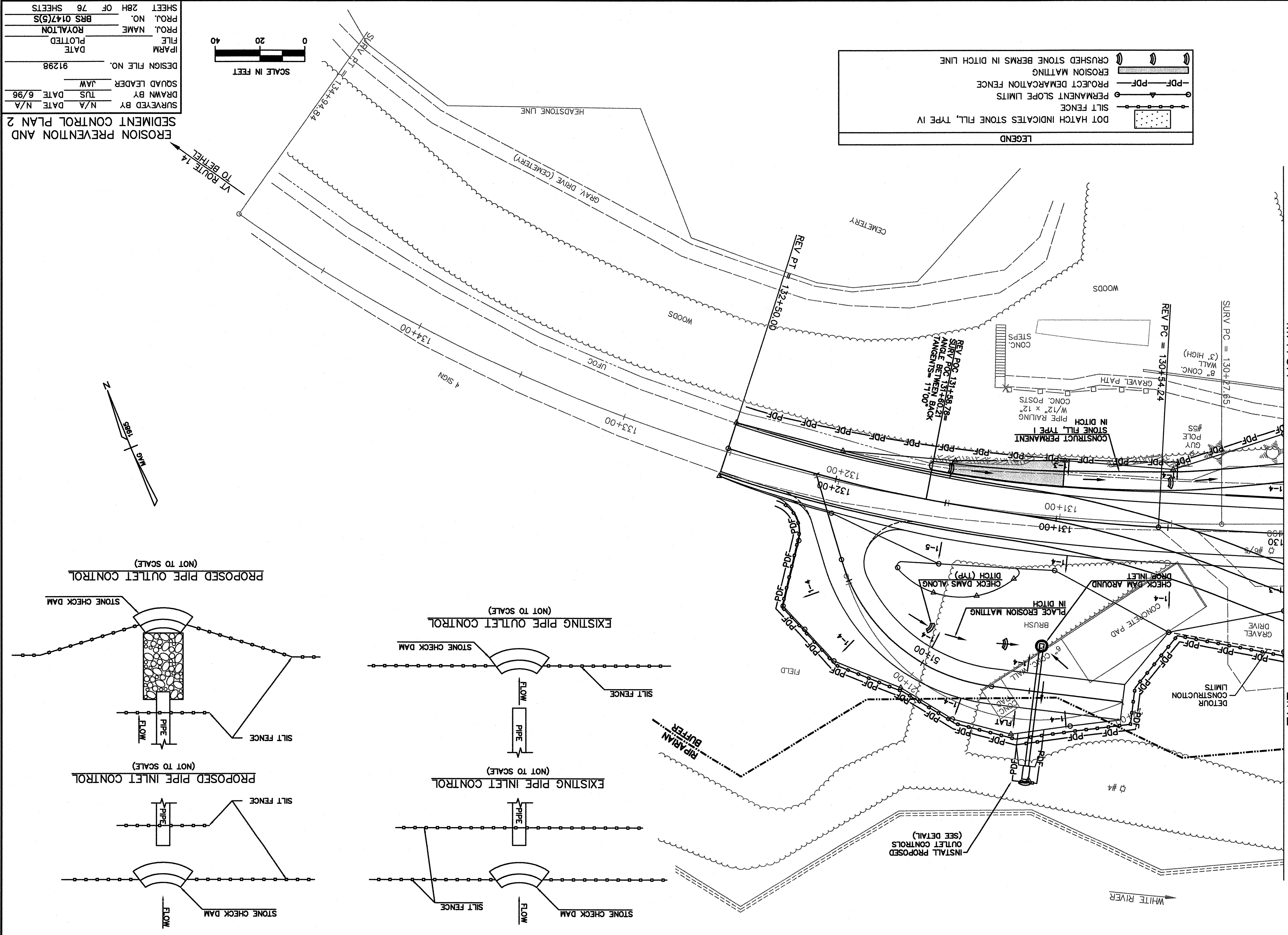
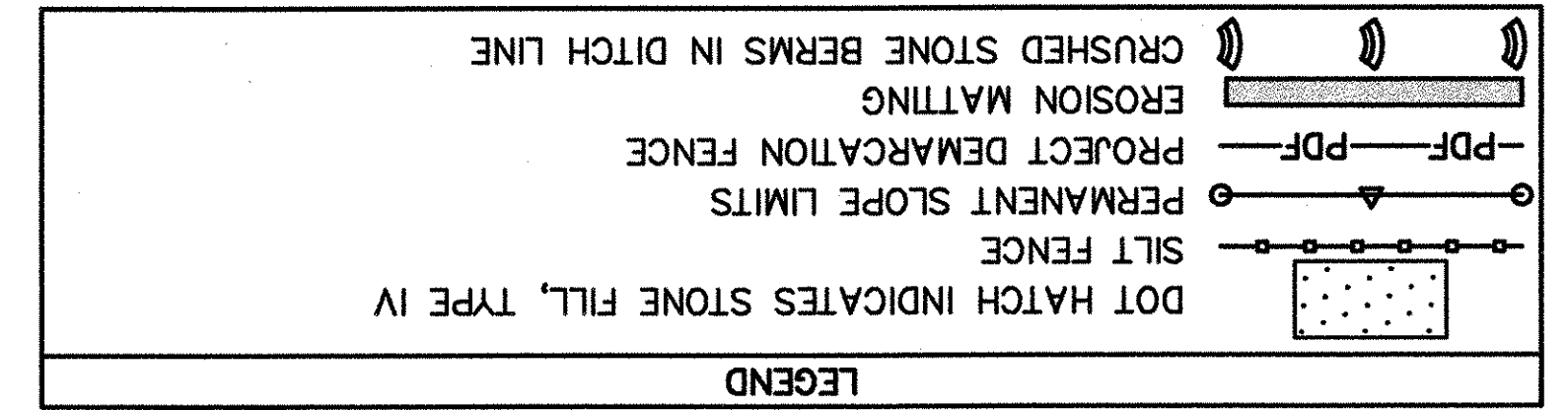
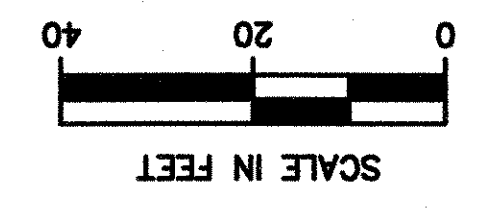


SHEET 28H OF 76 SHEETS
 PROJ. NO. BRS 0147(5)
 PROJ. NAME ROYALTON
 FILE PLOTTED
 DATE
 IPRM
 DESIGN FILE NO. 91298
 SQUAD LEADER JAW
 DRAWN BY TJS DATE 6/98
 SURVEYED BY N/A DATE N/A
EROSION PREVENTION AND SEDIMENT CONTROL PLAN 2



PLAN	BY	DATE
SUBMITTED		
PLOTTED		
ALIGNMENT CHECKED		
NOTE BOOK NO.		
NO. OF WAT. CHECKED		