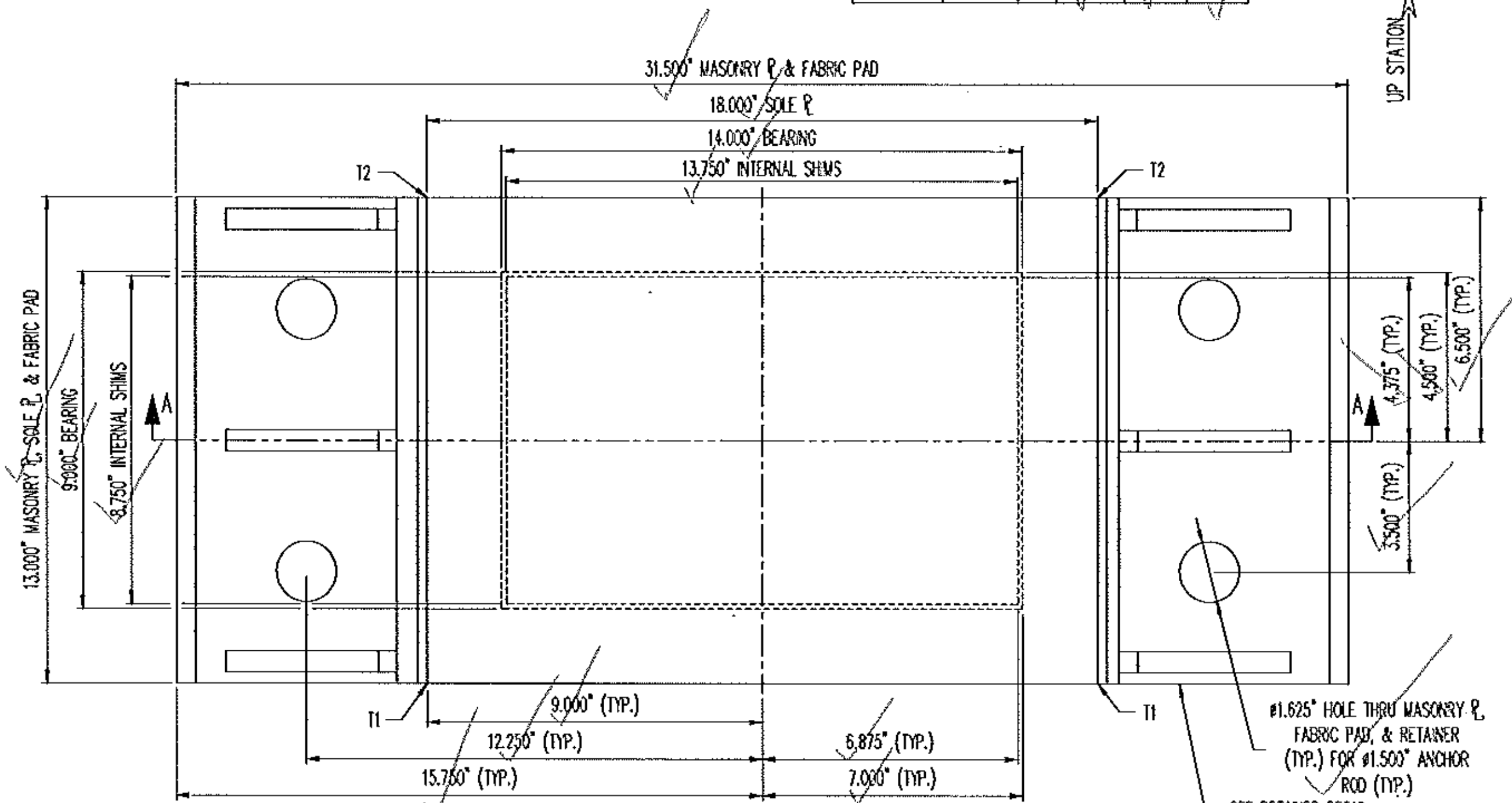
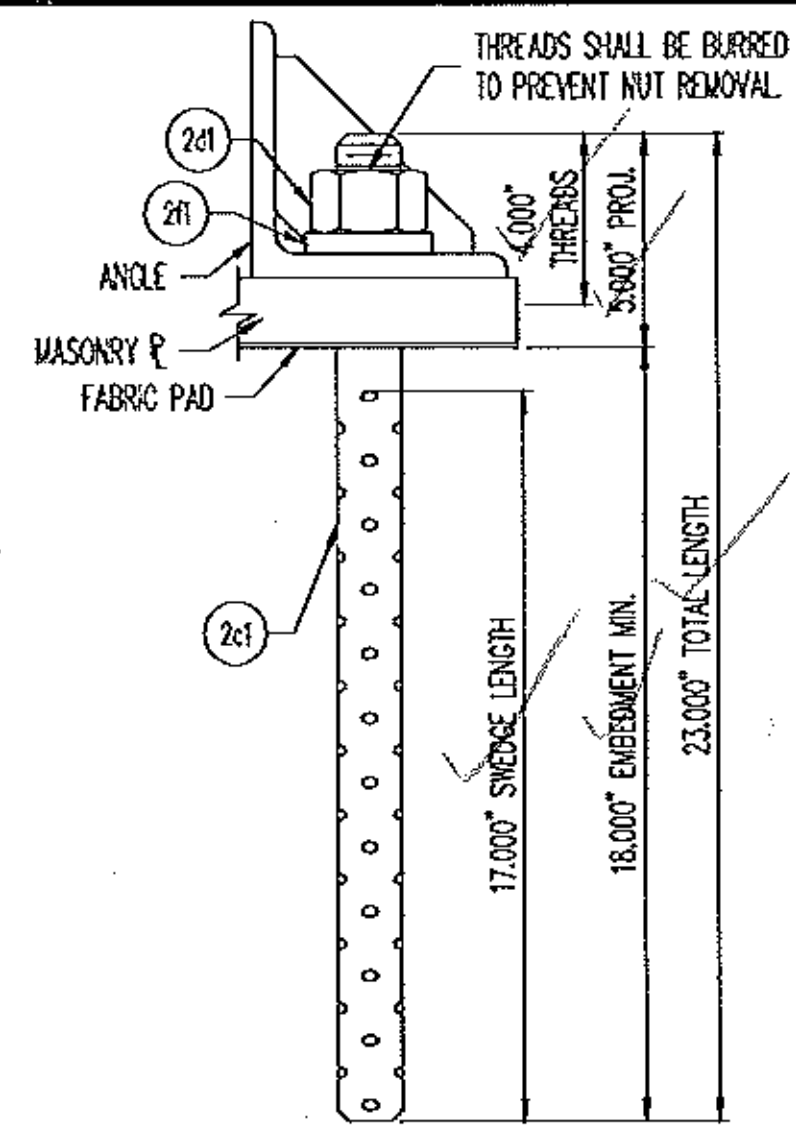


SOLE PLATE SCHEDULE

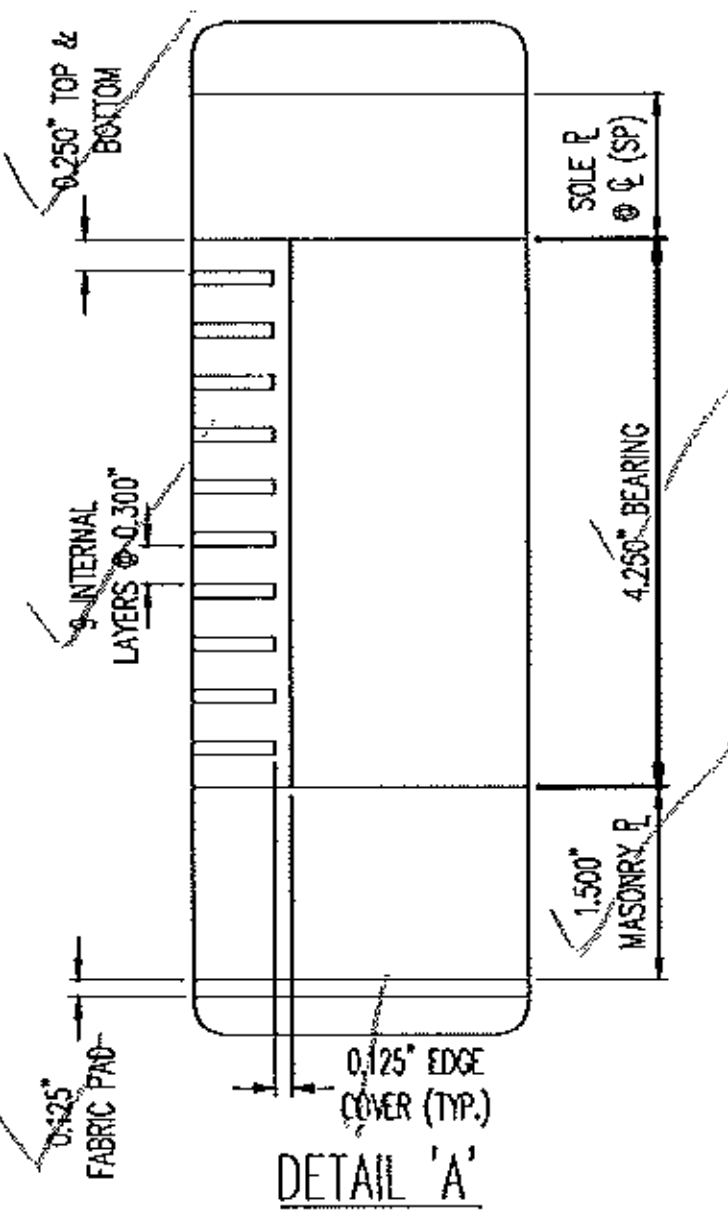
ASSM. MK	LOCATION	QTY	SOLE PLATE		
			T1	T2	SP
2A	ABUT. 1	5	1.125"	1.000"	1.063"
2H	ABUT. 2	5	1.250"	1.000"	1.125"



PLAN VIEW
EXPANSION ELASTOMERIC BEARING
(5) REQ'D @ ABUT. 1
(5) REQ'D @ ABUT. 2

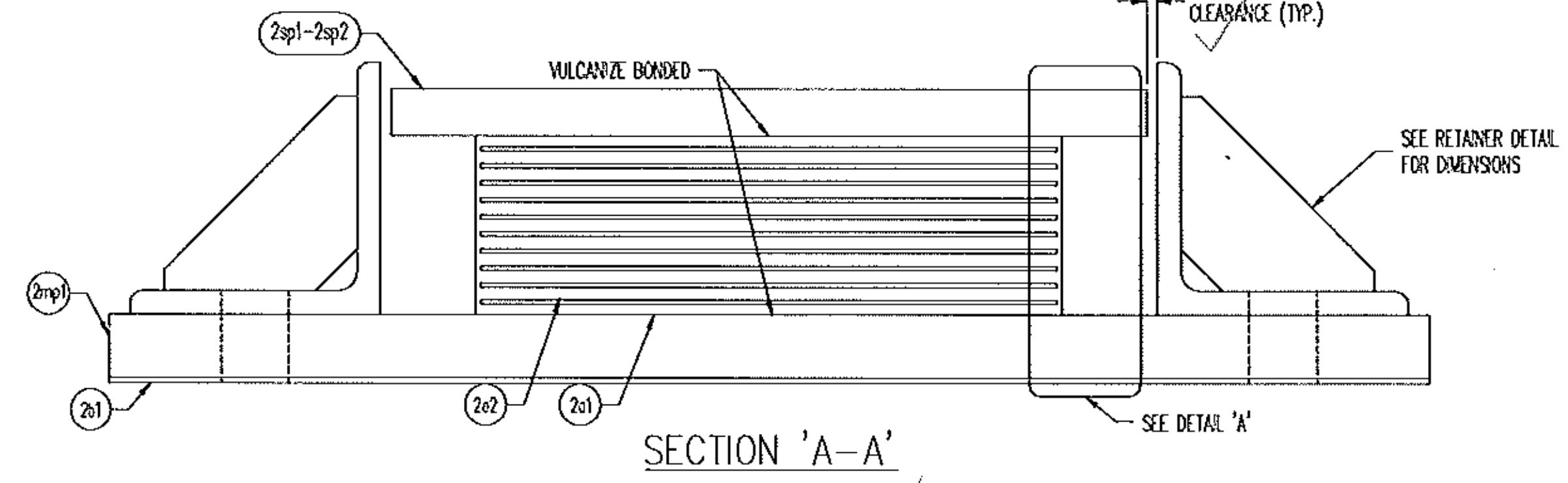


ANCHOR ROD DETAIL

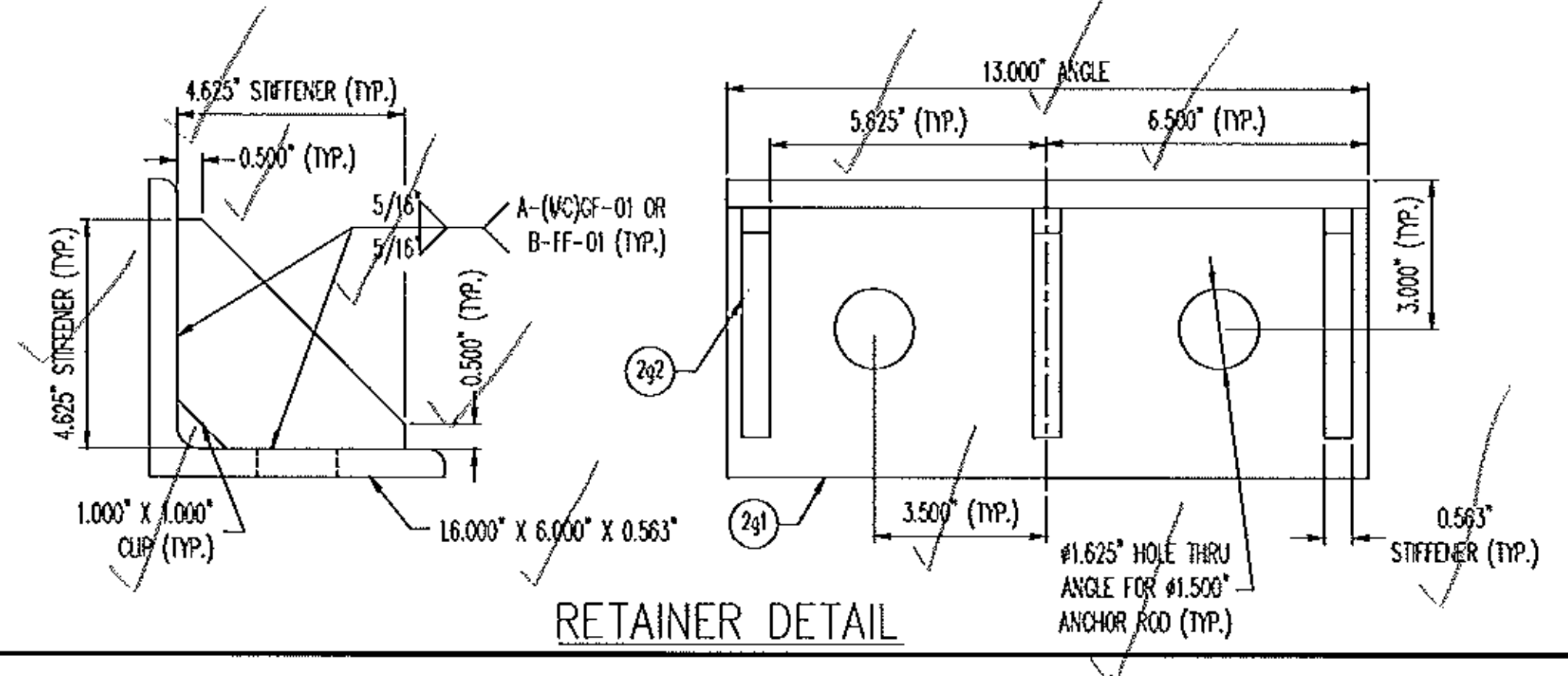


LOAD TABLE	
LIVE LOAD (KIPS)	81.7
DESIGN LOAD (KIPS)	94.2

PK	QTY	DESCRIPTION	MATERIAL	LENGTH	REMARKS	REV
2A	5	ELASTOMERIC BEARING				-
2a1	5	4.250" X 14.000"	NATURAL RUBBER	9.000"	601/-5 DURO GR.4; 0.13KSI AND 0.20KSI	-
2a2	50	12 GA. X 13.750"	A1011 OR 35	8.750"	PLAN	-
2mp1	5	1.500" X 31.500"	A709 GR 50 OR 50W	13.000"	METALLIZE, SEAL	-
2sp1	5	1.125" X 18.000"	A709 GR 50 OR 50W	13.000"	METALLIZE, SEAL	-
2B	10	FABRIC PAD				-
2b1	10	0.125" X 31.500"	A1510 18.4.9.1	13.000"	HOLES	-
2C	40	SWEDGE ROD				-
2c1	40	Ø1.500" X 23.000" SWEDGE ROD	A449		4" THREADS, 17" SWEDGE, A153-HDG	-
2D	40	HEAVY HEX NUT				-
2d1	40	Ø1.500" HEX NUT	A563-DH OR A194-2H		A153-HDG	-
2E	40	WASHER PLATE				-
2e1	40	0.500" X 3.000"	A-35	3.000"	1.563" HOLE @ CENTER, A123-HDG	-
2F	20	RETAINER				-
2f1	20	16 X 6 X 9/16	A709 GR 50 OR A992	13.000"	METALLIZE, SEAL	-
2g2	60	0.563" X 4.625"	A709 GR 50 OR 50W	4.625"	CLIP CORNER; METALLIZE, SEAL	-
2H	5	ELASTOMERIC BEARING				-
2h1	5	4.250" X 14.000"	NATURAL RUBBER	9.000"	601/-5 DURO GR.4; 0.13KSI AND 0.20KSI	-
2h2	50	12 GA. X 13.750"	A1011 OR 35	8.750"	PLAN	-
2mp1	5	1.500" X 31.500"	A709 GR 50 OR 50W	13.000"	METALLIZE, SEAL	-
2sp2	5	1.250" X 18.000"	A709 GR 50 OR 50W	13.000"	METALLIZE, SEAL	-



SECTION 'A-A'



RETAINER DETAIL

SEE SHT. GH1 FOR GENERAL NOTES & COATING LIMITS.

D.S. BROWN
THE D.S. BROWN COMPANY
300 E. CHERRY STREET
NORTH BALTIMORE, OHIO 45872
419.257.3561
FAX: 419.257.0332
WWW.DSBROWN.COM

REV.	DESCRIPTION	DATE	DET.	CKD.
	LOCATION — BRIDGE PROJECT TOWNS OF MORETOWN-WOODLESEX BRIDGE — — PROJECT — BRS 0284(14) — — — P.O. NO. — C-2326 DESIGNER — VT DOT CUSTOMER — WINTERSET INC.			
	ITEM QUANTITY 27445-1104-2 10 OF 10			
	SCALE: H.T.S. PROJECT NUMBER: 27445	DATE: 10/9/09 PROJECT CODE: 1104	DATE: 10/9/09 RELEASE: 1	DATE: 10/9/09 BY: 02

RECEIVED
OK'D BY SSS OK'D BY WJM
OCT 03 2009
REQUEST APPROVED ✓
BY _____ DATE 11/4/2009