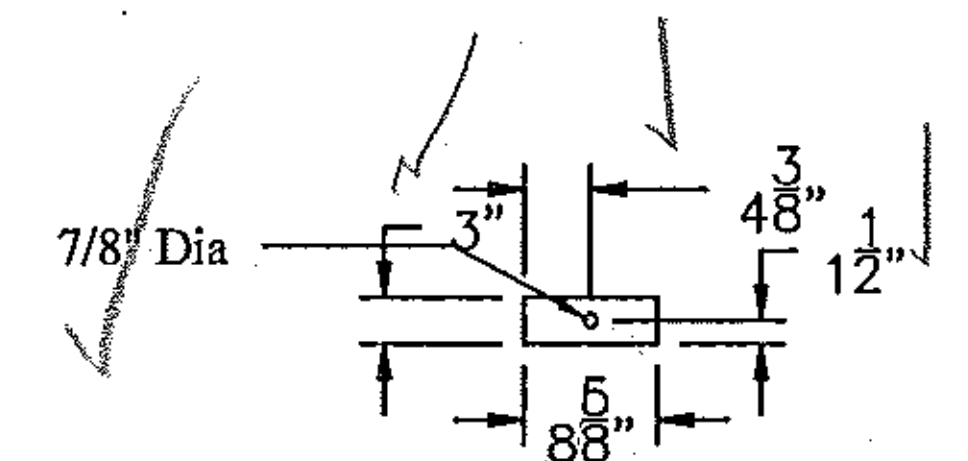
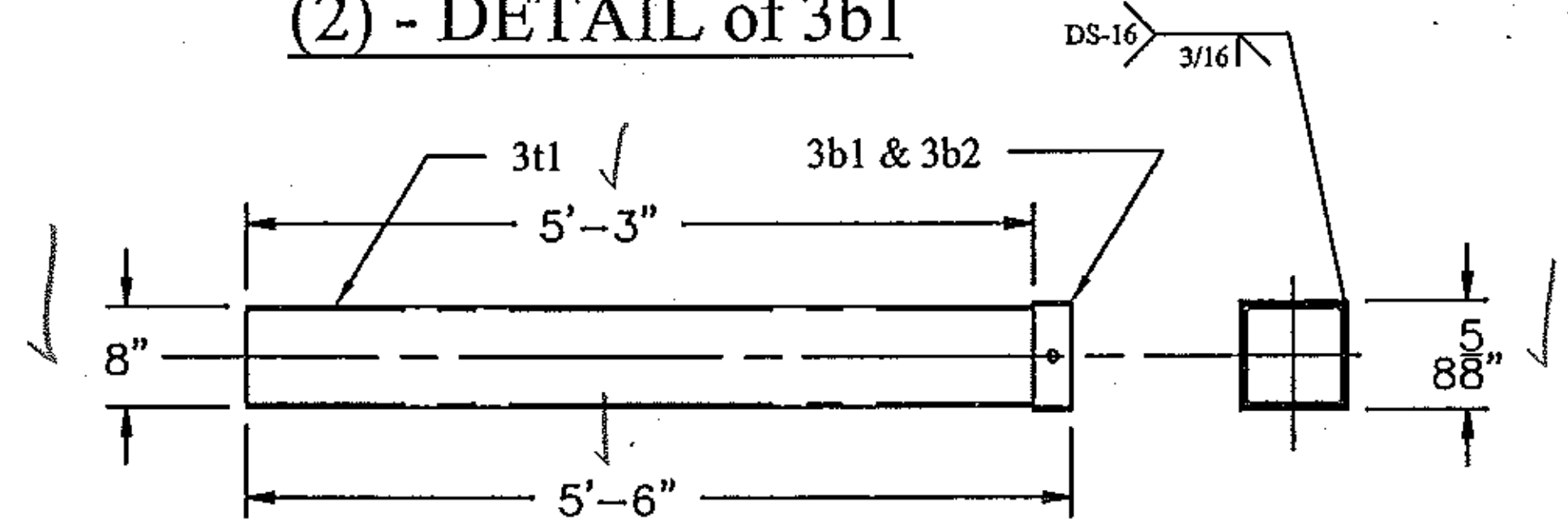


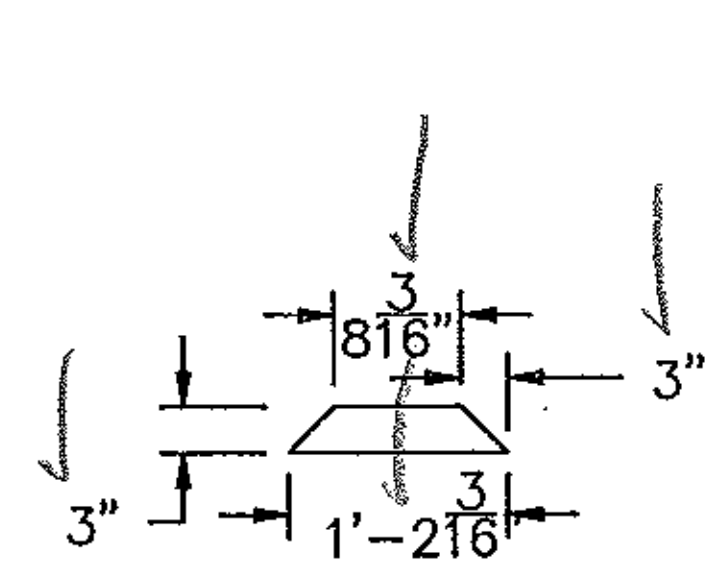
(1) - DETAIL of 3T2



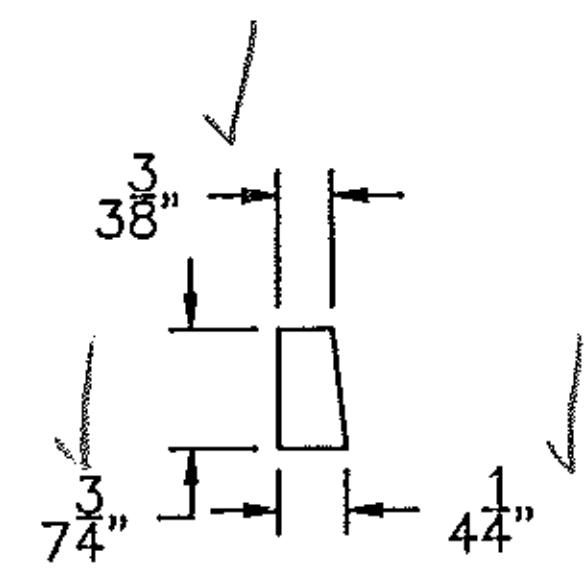
(2) - DETAIL of 3b1



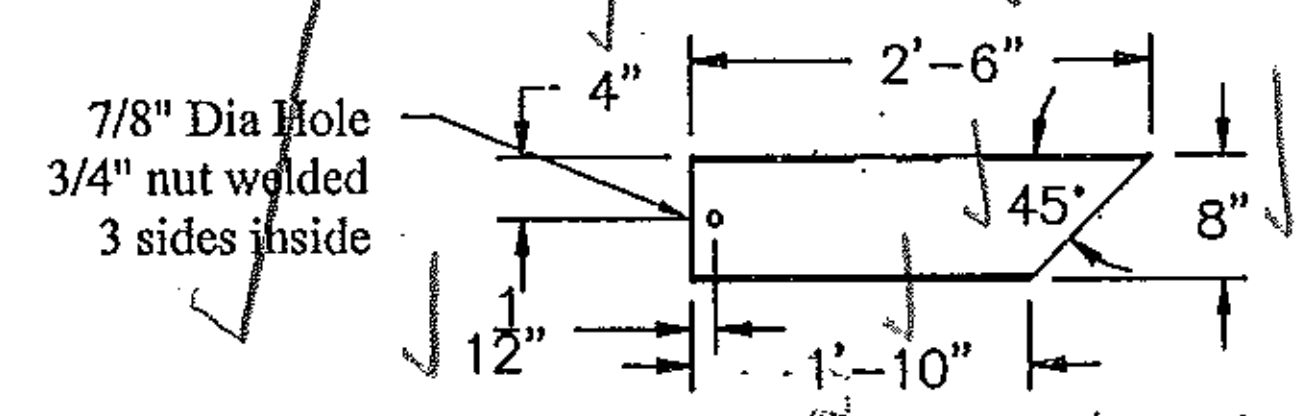
(1) - DETAIL of 3T1



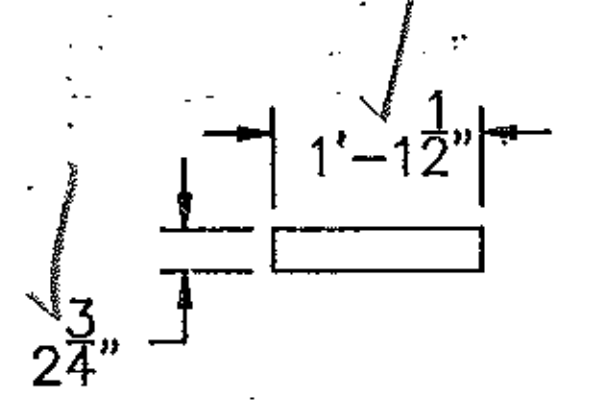
(1) - DETAIL of 3b3



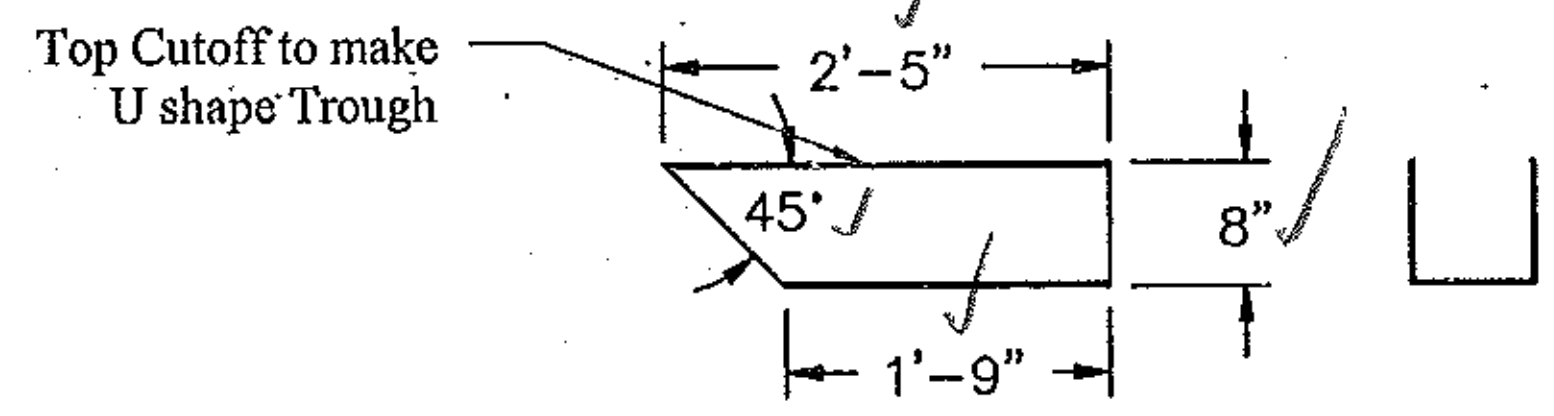
(2) - DETAIL of 3p2



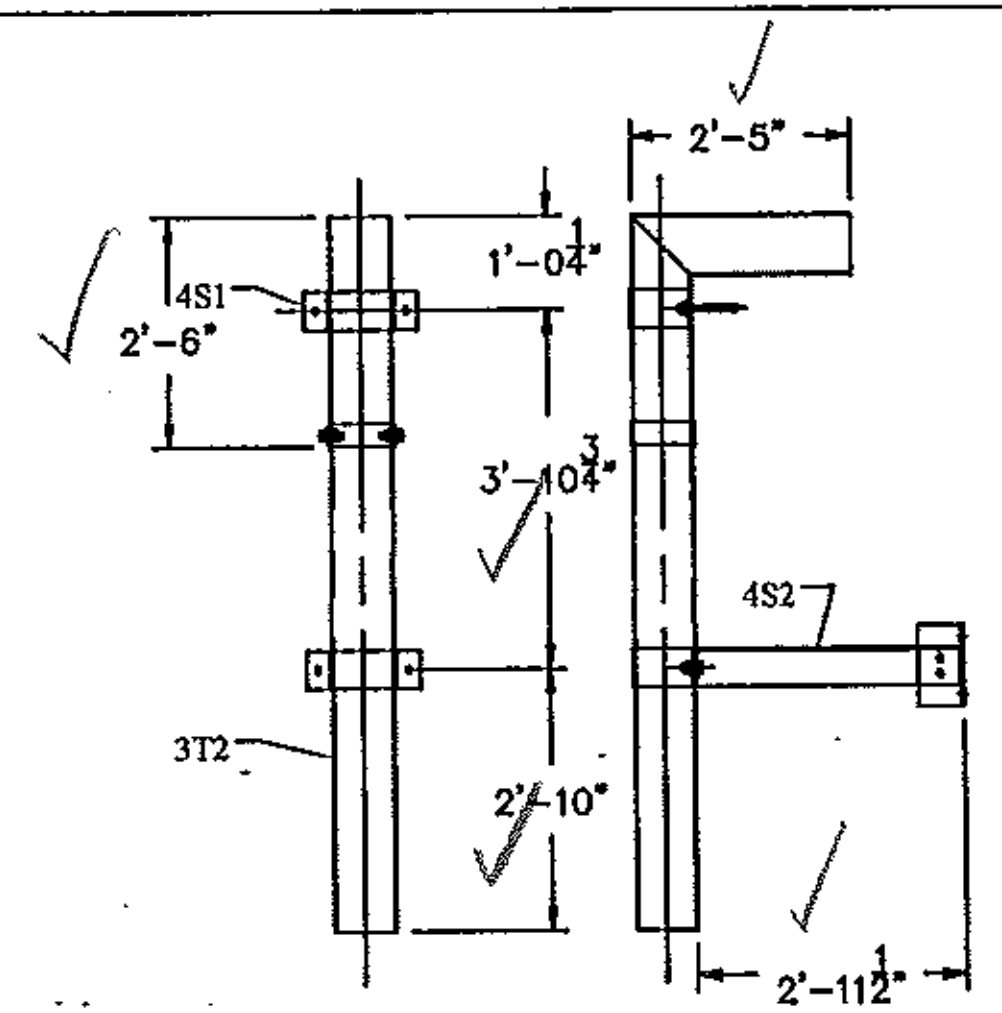
(1) - DETAIL of 3t3



(1) - DETAIL of 3p1



(1) - DETAIL of 3t2



FRONT VIEW OF HOPPER LAYOUT
SIDE VIEW OF HOPPER LAYOUT

(1) - 3D1 DOWNSPOUT (Midspan)

BILL OF MATERIALS				
QTY	MARK	SHAPE	LENGTH	REMARKS
✓	3D1	DOWNSPOUT (MIDSPAN) ASSEMBLY		
✓	3T1	Lower Tube		
✓	3T2	Upper Tube		
✓	4S1	Strap Assy		
✓	4S2	Support Assy		
✓		3/4" Bolt x 2" Lg and Washer		
✓	3T1	LOWER TUBE		
✓	3b1	Bar 1/4" x 3"	0'-8 5/8"	1/2" SA
✓	3b2	Bar 1/4" x 3"	0'-8 1/8"	1/2" SA
✓	3t1	Tube 8" x 8" x 1/4"	5'3"	
1	3T2	UPPER TUBE		
✓	3b3	Bar 1/4" x 3"	1'-2 3/16"	
✓	3p1	Plate 1/4" x 2 3/4"	1'-1 1/2"	1/2" SA
2	3p2	Plate 1/4" x 4 1/4"	0'-7 3/4"	
✓	3t2	Tube 8" x 8" x 1/4"	2'5"	
✓	3t3	Tube 8" x 8" x 1/4"	2'6"	
✓	3s1	3/4" x 8' Lg Welded Studs		23 1/2 AS
✓		3/4" Nuts		

RECEIVED
 OK'D BY SSG OK'D BY _____
 NOV 24 2009
 RESUBMIT _____ APPROVED _____
 BY _____ DATE _____

REV NO.	DATE	DESCRIPTION
0	10-3-2009	SUBMITTED FOR APPROVAL
HOLES AS NOTED		
MATERIAL: AASHTO M 270 GRADE 36 GALV		

DRAWING COVERS
MIDSPAN DOWNSPOUT LAYOUT

PROJECT	MORETOWN-MIDDLESEX BR3 0284 (14)
LOCATION	US ROUTE 2 ONE WINDSOR RIVER
ENGINEER	VERMONT AGENCY OF TRANSPORTATION
CUSTOMER	WINTERSET, INC.

MERRIMACK SHEET METAL

119 HALL STREET
 CONCORD NH 03301

Tel. 603.224.7766
 Fax 603.224.7925

DRAWN BY: RL
 CHECKED BY: JD
 JOB NO: #2912
 DWG: F3