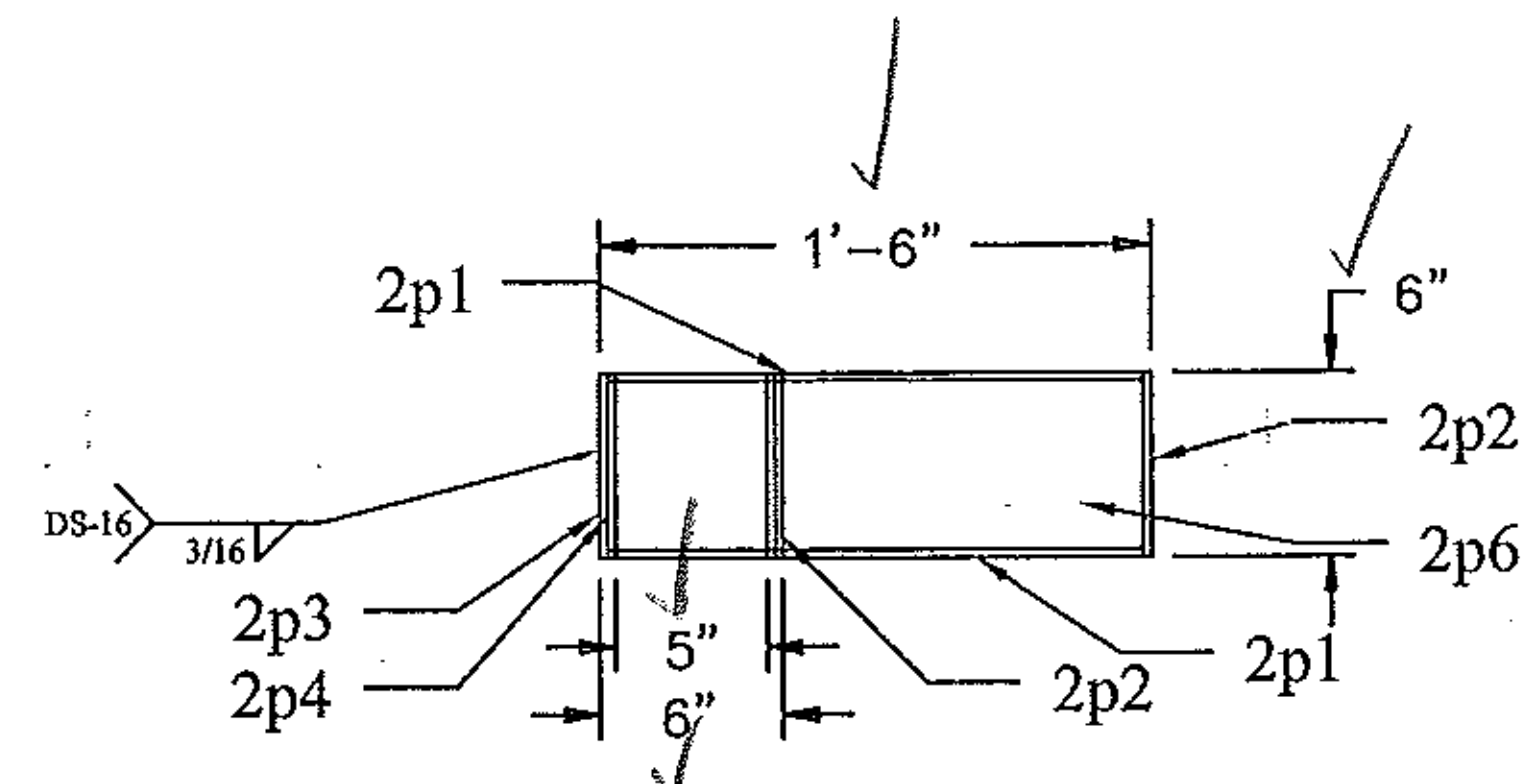
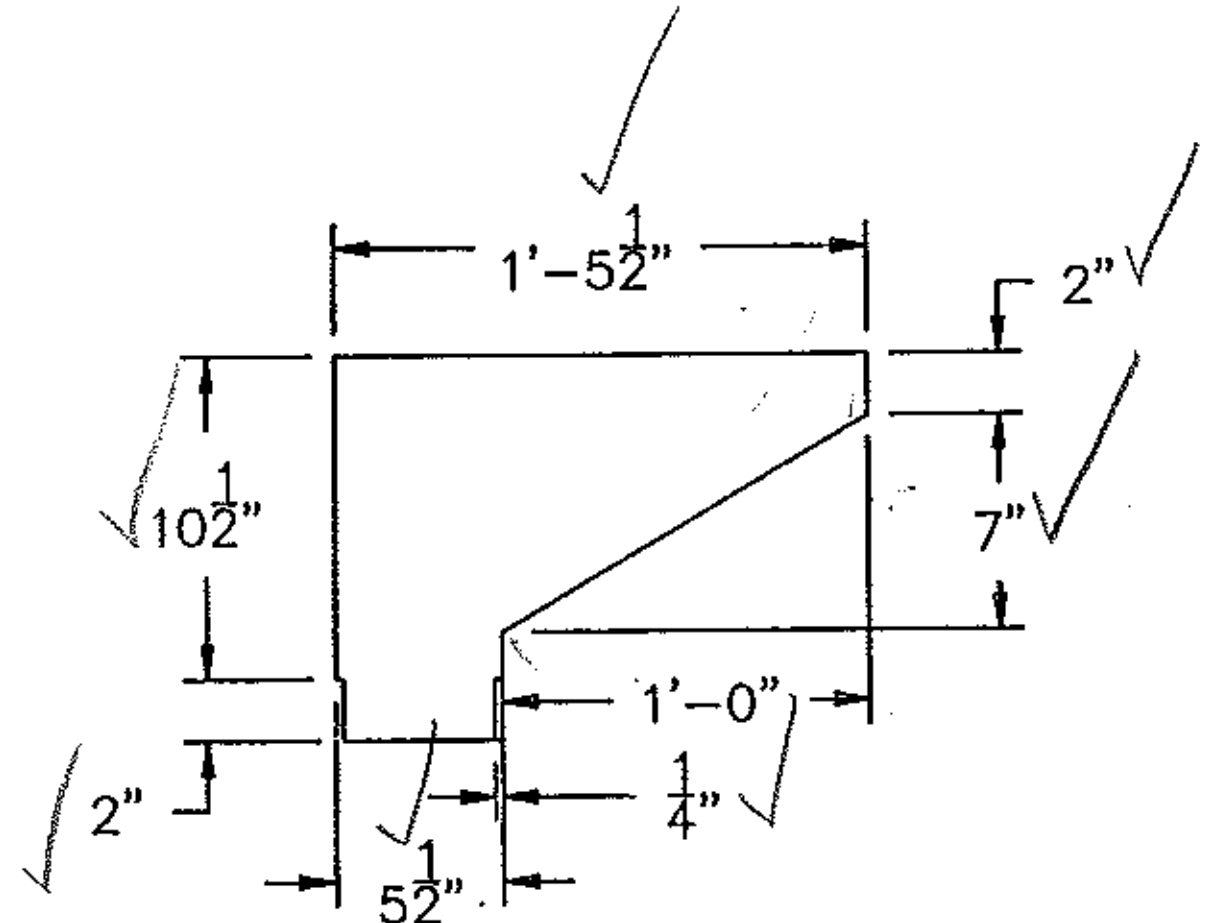


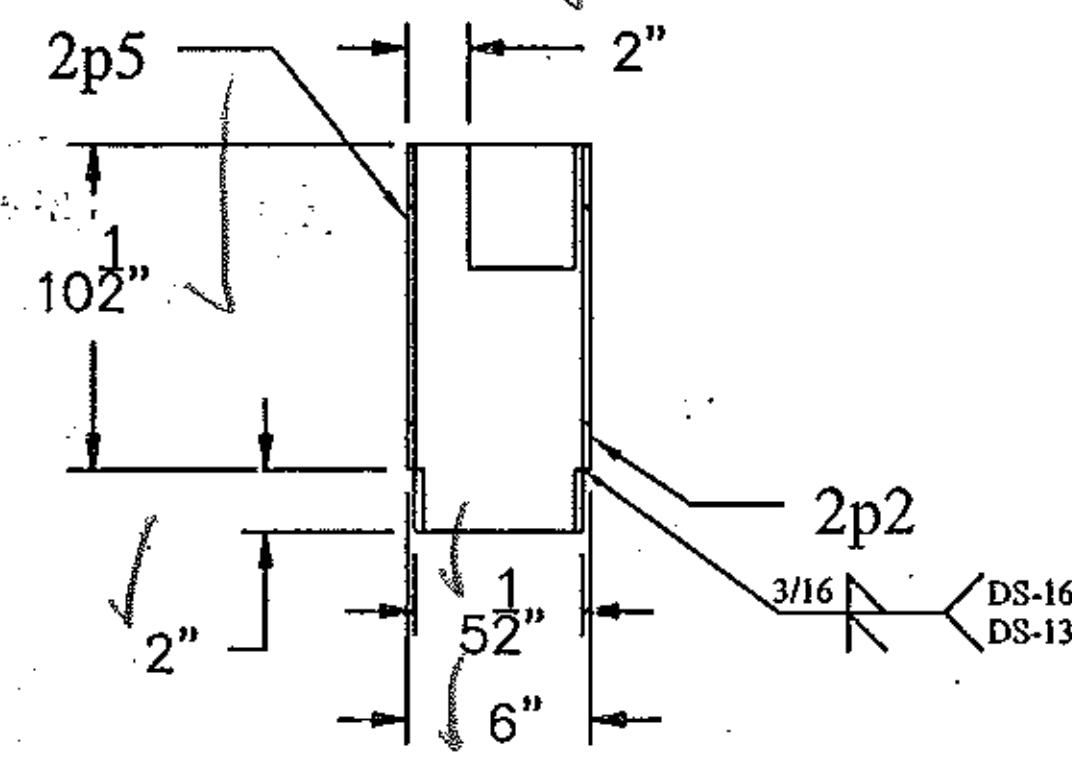
(2) - 2p3 DETAIL



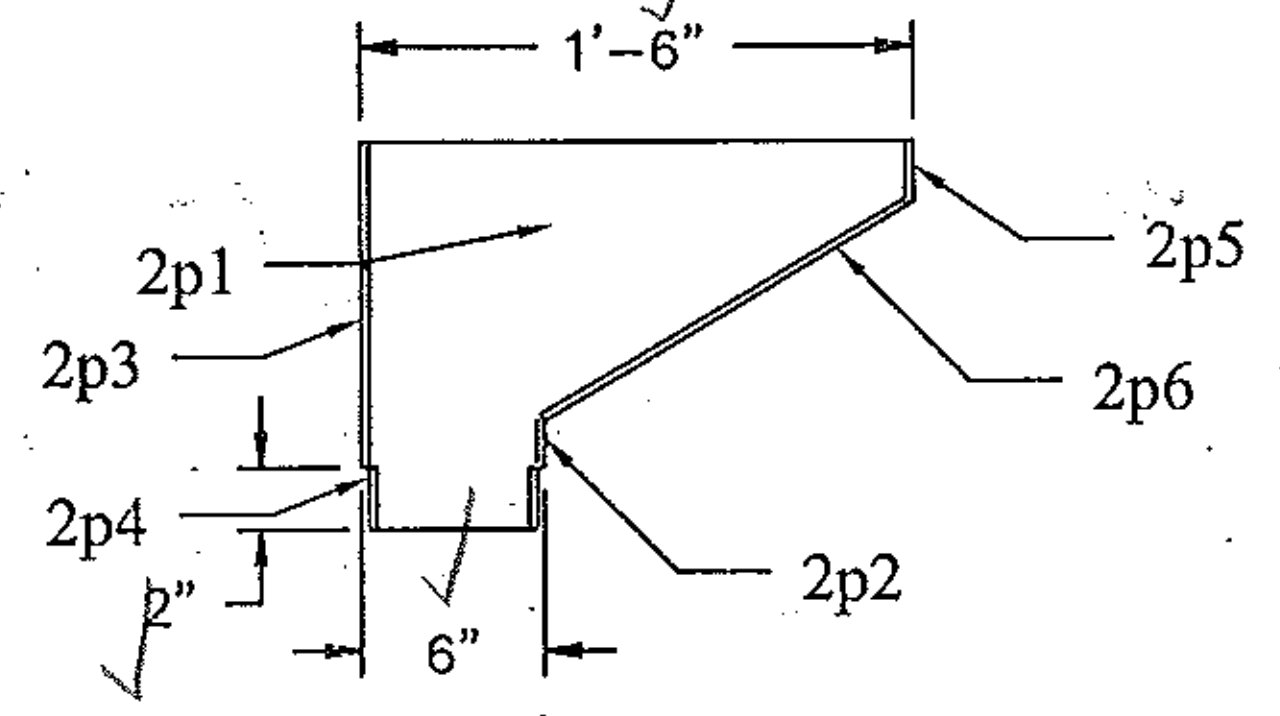
TOP VIEW



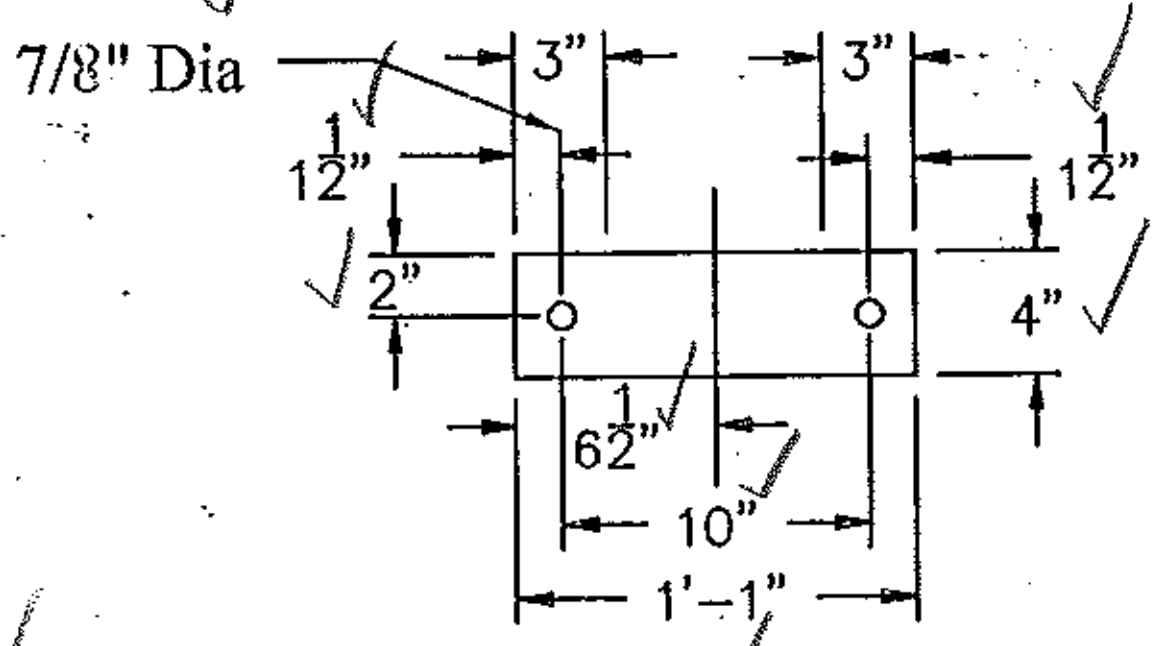
(4) - DETAIL 2p1



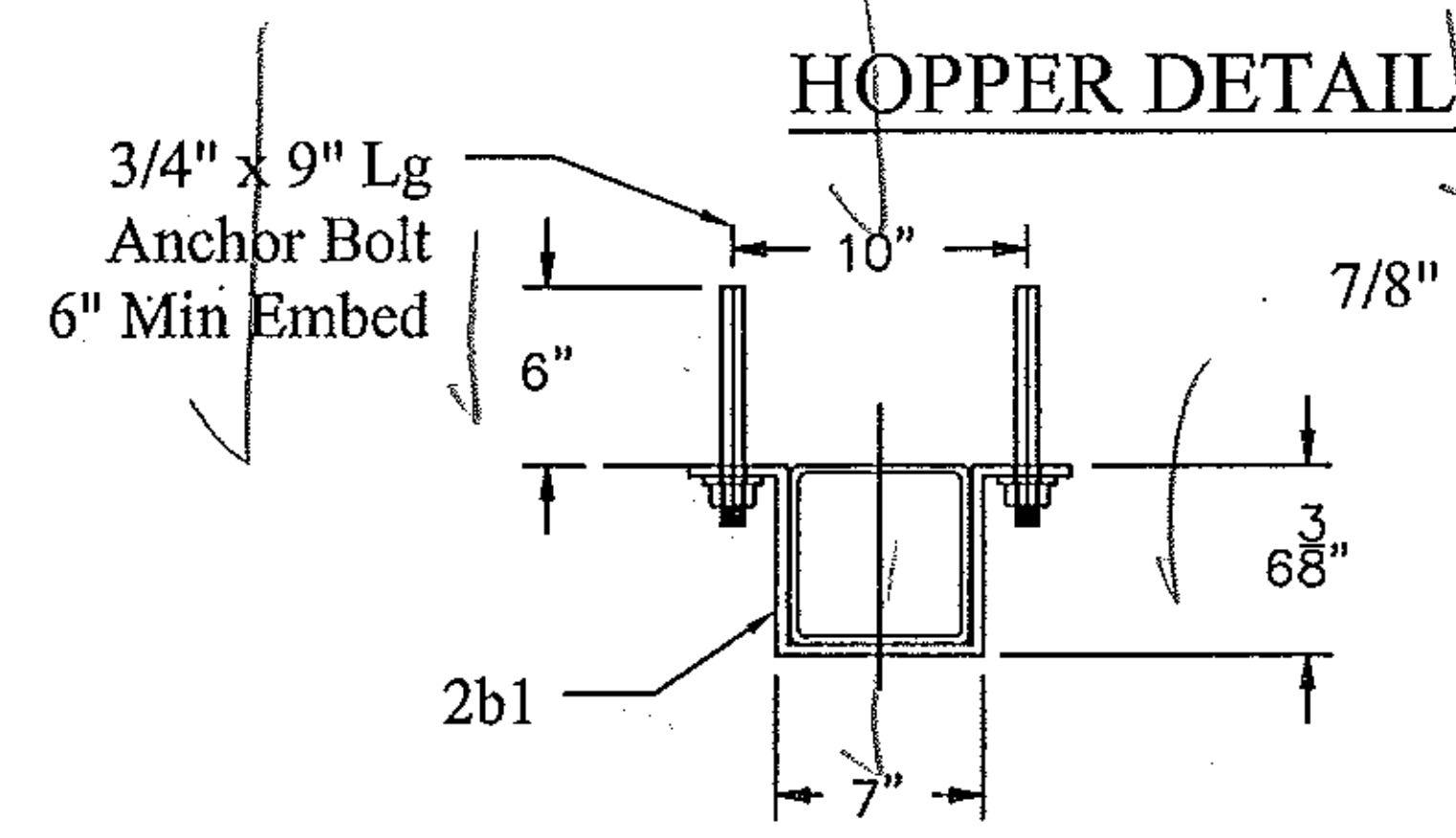
SIDE VIEW



FRONT VIEW

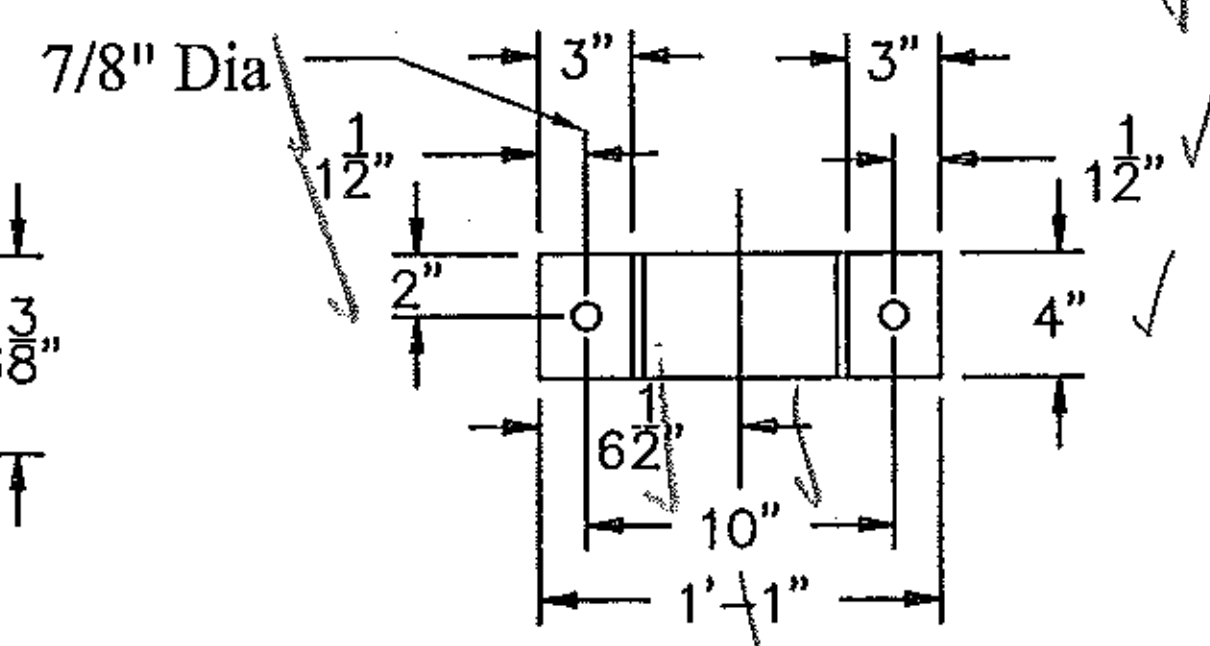


(2) - 2b2 DETAIL

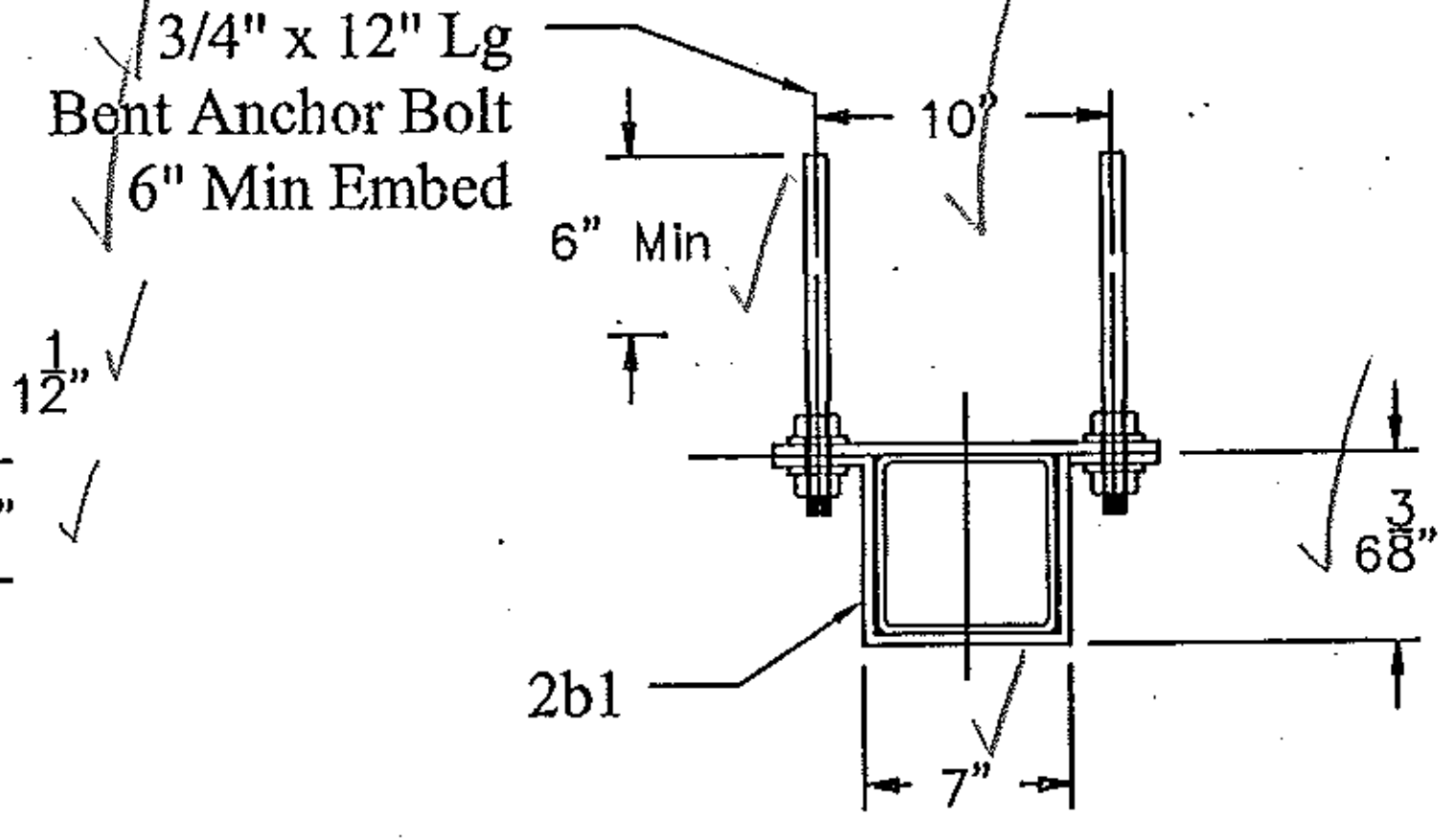


HOPPER DETAIL

(2) 2S1 - STRAP ASSY



(2) - 2b1 DETAIL



(2) 2S2 - STRAP ASSY

BILL OF MATERIALS				
QTY	MARK	SHAPE	LENGTH	REMARKS
2	2H1	HOPPER ASSY		
4	2p1	Plate 1/4" x 12 1/2"	1'-5 1/2"	
2	2p2	Plate 1/4" x 6"	0'-1 1/2"	
2	2p3	Plate 1/4" x 6"	0'-10 1/2"	
4	2p4	Plate 1/4" x 6"	0'-2"	
2	2p5	Plate 1/4" x 6"	0'-2"	
2	2p6	Plate 1/4" x 6"	1'-1 5/8"	
2	2S1	STRAP ASSY		
2	2b1	Bar 3/8" x 4"	2'-1"	
4		3/4" x 9" Lg Richmond Anchor Bolts w/ Nut & Washer		
2	2S2	STRAP ASSY		
2	2b1	Bar 3/8" x 4"	2'-1"	
2	2b2	Bar 3/8" x 4"	1'-1"	
4		3/4" x 12" Lg Richmond Bent Anchor Bolts w/ 2 Nuts & Washers		

DRAWING COVERS	
DOWNSPOUT DETAILS	
PROJECT	MORETOWN-MIDDLESEX BR 0284 (14)
LOCATION	US ROUTE 2 OVER WINDSOCK RIVER
ENGINEER	VERMONT AGENCY OF TRANSPORTATION
CUSTOMER	WINTERSET, INC.

MERRIMACK SHEET METAL

119 HALL STREET
CONCORD NH 03301

Tel. 603.224.7766
Fax 603.224.7925

DRAWN BY: RL
CHECKED BY: JD
JOB NO: #2912
DWG: F2

RECEIVED
 CK'D BY: SSS OK'D BY: _____
 NOV 24 2009
 RESUBMIT _____ APPROVED _____
 BY _____ DATE _____

REV NO.	DATE	DESCRIPTION
0	10-3-2009	SUBMITTED FOR APPROVAL
HOLES AS NOTED		
MATERIAL: AASHTO M 270 GRADE 58 GALV		