

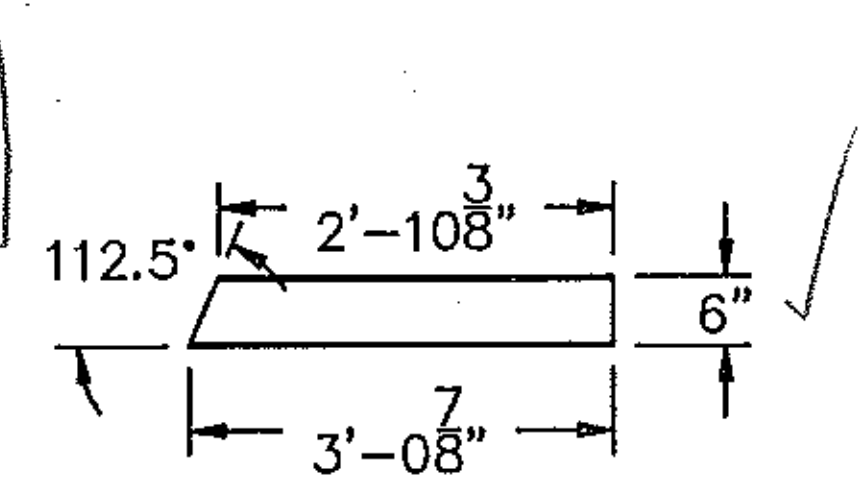
SIDE VIEW OF HOPPER LAYOUT

TOP VIEW OF HOPPER LAYOUT

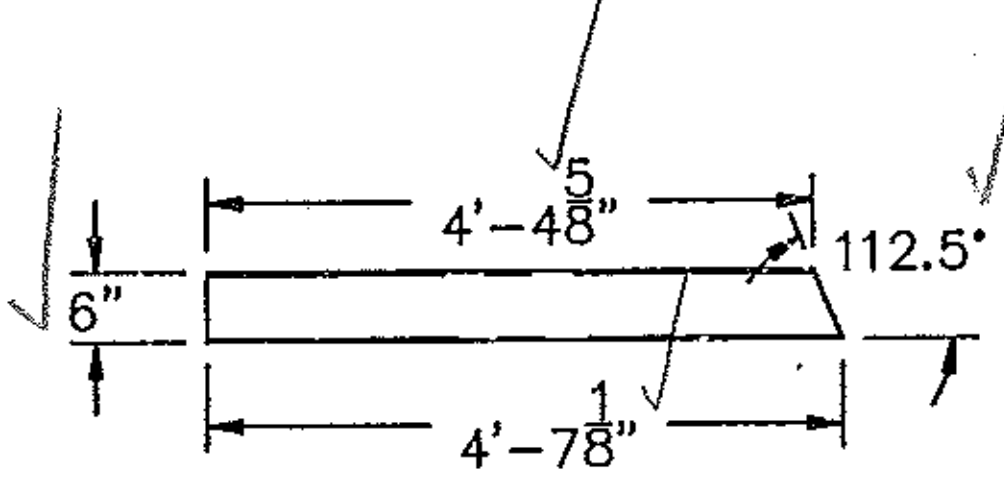
**DOWNSPOUT NOTES:**

1. HOLLOW STRUCTURAL TUBING SHALL CONFORM TO ASTM A500 OR A501.
2. ALL PLATES, BARS, AND ANGLES SHALL BE AASHTO M270 GRADE 36.
3. DOWNSPOUTS SHALL BE GALVANIZED IN ACCORDANCE WITH ASTM A123 AFTER FABRICATION. AFTER GALVANIZING THEY SHALL BE PAINTED. THE PAINT SHALL BE BROWN COLOR CHIP #20059.
4. BOLTS, NUTS & WASHERS SHALL CONFORM TO ASTM A307 AND SHALL BE GALVANIZED IN ACCORDANCE WITH ASTM A153 (AASHTO M232).
5. IN AREAS WHERE THE GALVANIZING HAS BEEN REMOVED EITHER BY CUTTING, BURNING, WELDING, PLACING, OR ANY OTHER MEANS, IT SHALL BE REPAIRED BY THOROUGHLY CLEANING THE DAMAGED AREAS WITH A WIRE BRUSH AND PAINTING THE DAMAGED AREA WITH TWO COATS OF AN APPROVED SEALANT.

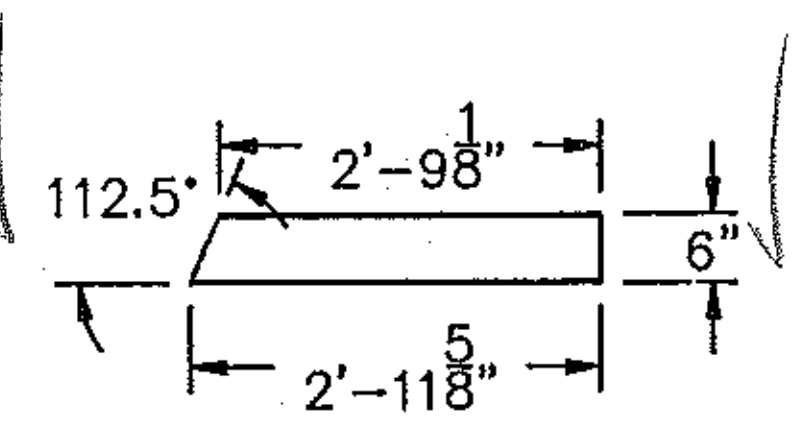
- (1) - 1D1 DOWNSPOUT (Abut 1)
- (1) - 1D2 DOWNSPOUT (Abut 2)



(1) - DETAIL of 1t1



(2) - DETAIL of 1t3



(1) - DETAIL of 1t2

RECEIVED  
 CK'D BY SSS OK'D BY  
 NOV 24 2009  
 RESUBMIT APPROVED  
 BY DATE

6. SEAL WELD ALL CONNECTIONS IF POSSIBLE;  
 7. PRIOR TO GALVANIZING, ALL EDGES OF PLATES, SHAPES, ETC. SHALL BE GROUND TO A 1/16 INCH RADIUS.

BILL OF MATERIALS				
QTY	MARK	SHAPE	LENGTH	REMARKS
✓ 1	1D1	DOWNSPOUT ASSEMBLY		
✓ 1	2H1	Hopper Assy		
✓ 1	2S1	Strap Assy		
✓ 1	2S2	Strap Assy		
✓ 1	1t1	Tube 6" x 6" x 1/4"	3'-0 7/8"	
✓ 1	1t3	Tube 6" x 6" x 1/4"	4'-7 1/8"	
✓ 1	1D2	DOWNSPOUT ASSEMBLY		
✓ 1	2H1	Hopper Assy		
✓ 1	2S1	Strap Assy		
✓ 1	2S2	Strap Assy		
✓ 1	1t2	Tube 6" x 6" x 1/4"	2'-11 5/8"	
✓ 1	1t3	Tube 6" x 6" x 1/4"	4'-7 1/8"	

WT = 289.66  
 TOT 793.13

REV NO.	DATE	DESCRIPTION
0	10-2-2009	SUBMITTED FOR APPROVAL
HOLES AS NOTED		
MATERIAL: AASHTO M 270 GRADE 36 GALV		

DRAWING COVERS		
ABUTMENT DOWNSPOUT LAYOUT		
PROJECT	MORERTOWN-MIDDLESEX BRIS 0284 (14)	
LOCATION	US ROUTE 2 OVER WINOOSKI RIVER	
ENGINEER	VERMONT AGENCY OF TRANSPORTATION	
CUSTOMER	WINTERSSET, INC.	

**MERRIMACK SHEET METAL**

119 HALL STREET  
 CONCORD NH 03301

Tel: 603.224.7766  
 Fax: 603.224.7925

DRAWN BY: RL  
 CHECKED BY: JD  
 JOB NO: #2912  
 DWG: F1