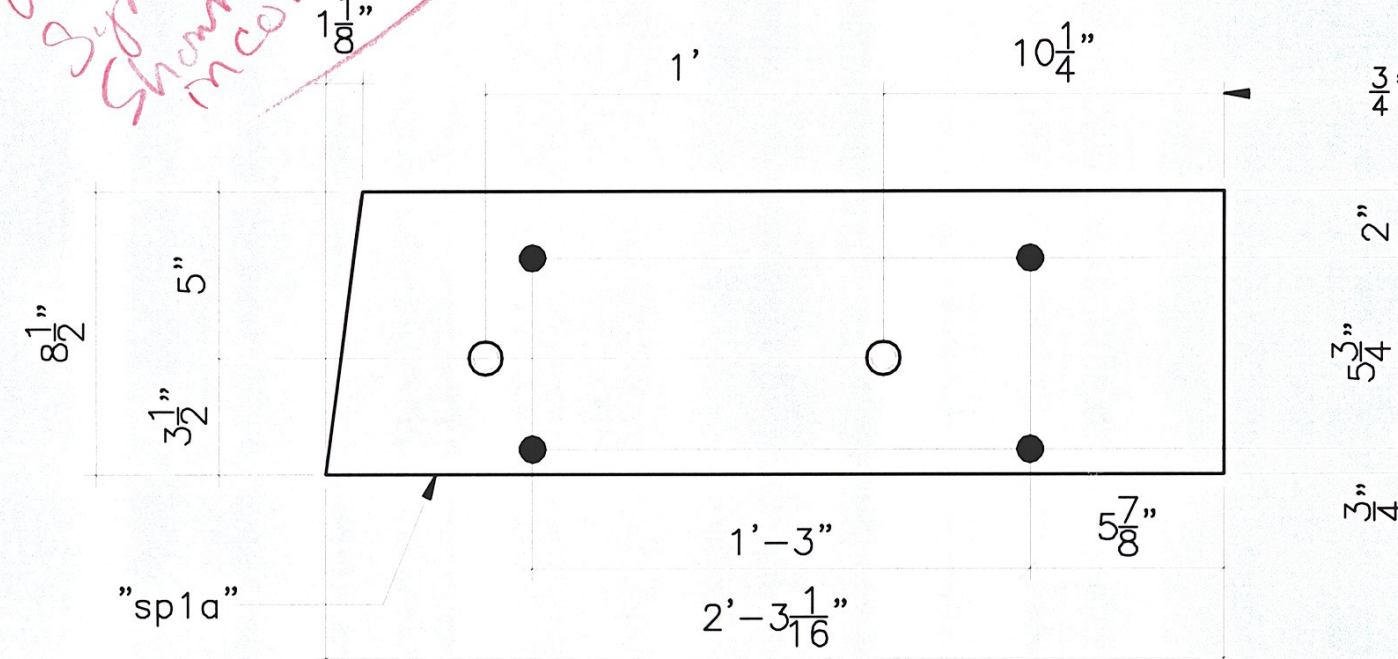
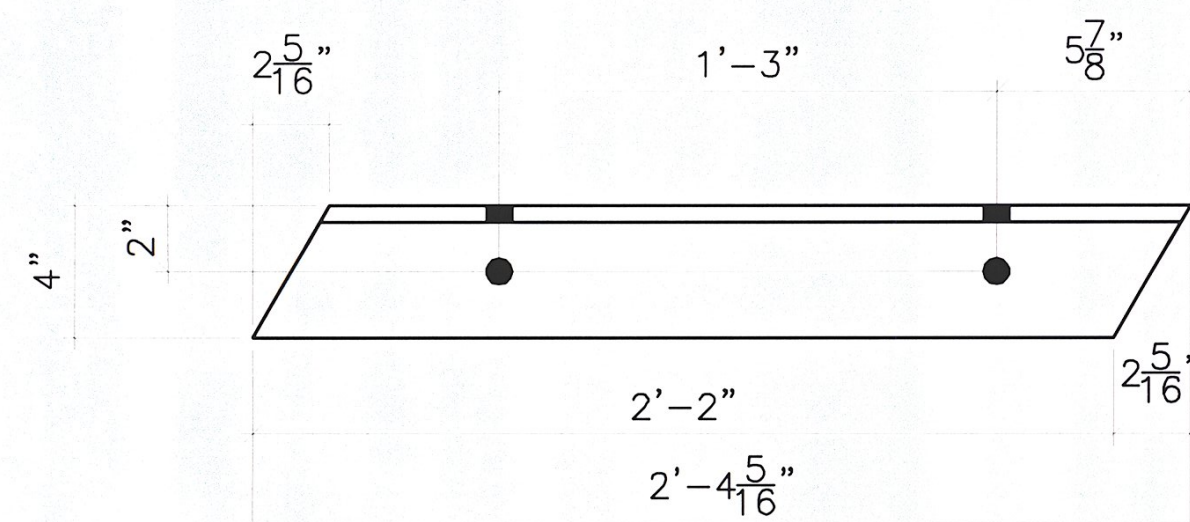


2-TOP FL ASS'Y, MARK "TP1"

Weld sym bol shown incorrectly

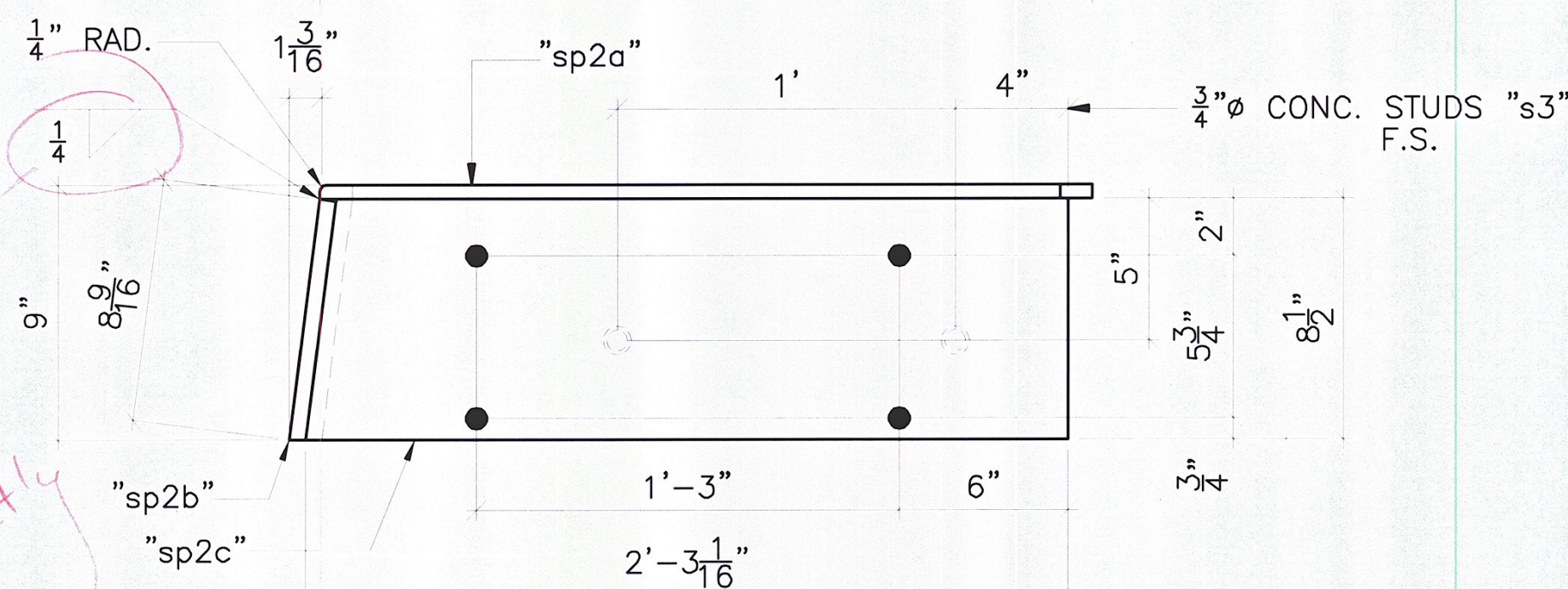
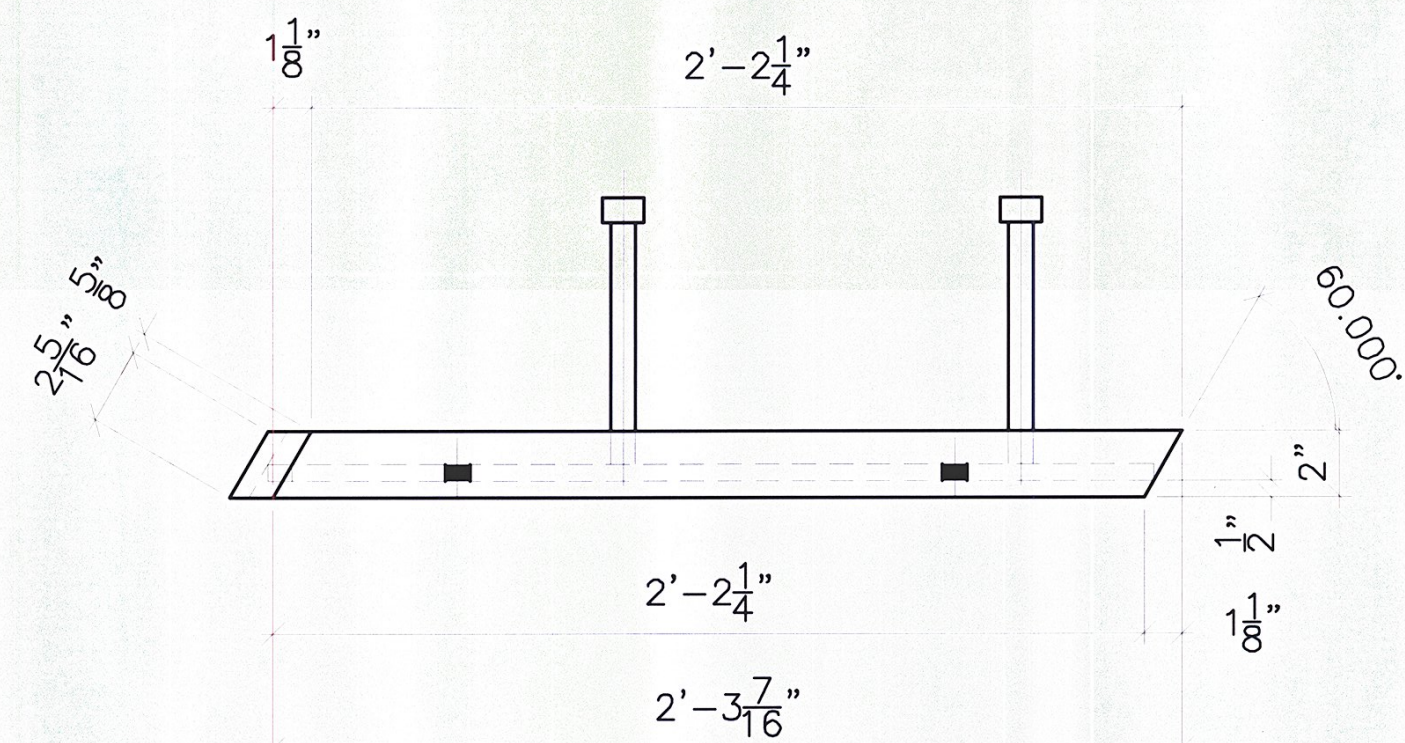


2-SIDE FL ASS'Y, MARK "SP1"



2-4X4X1/2, MARK "A3"

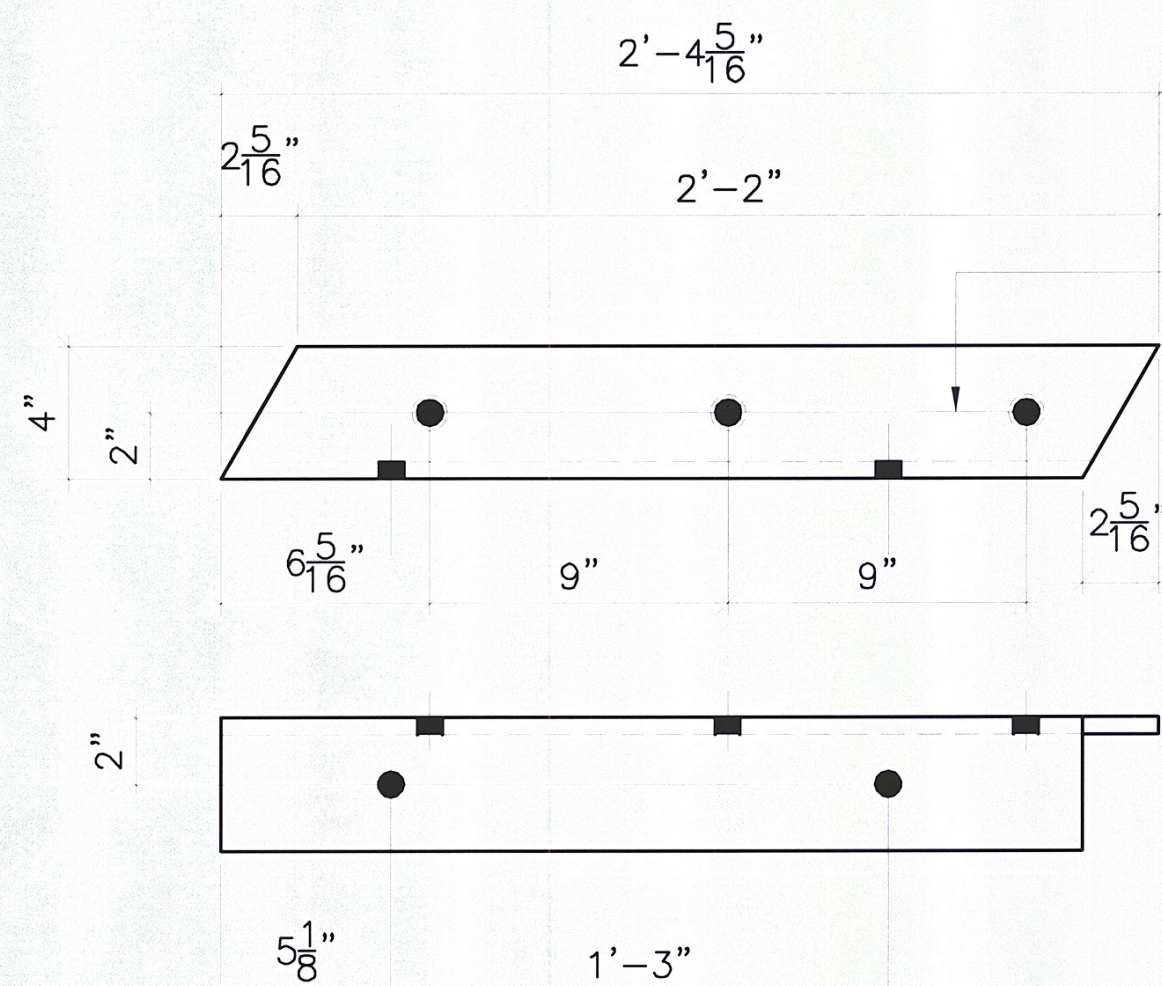
DRILL & CNTRSK FOR 3/4" F.H. SCREWS



2-SIDE FL ASS'Y, MARK "SP2"

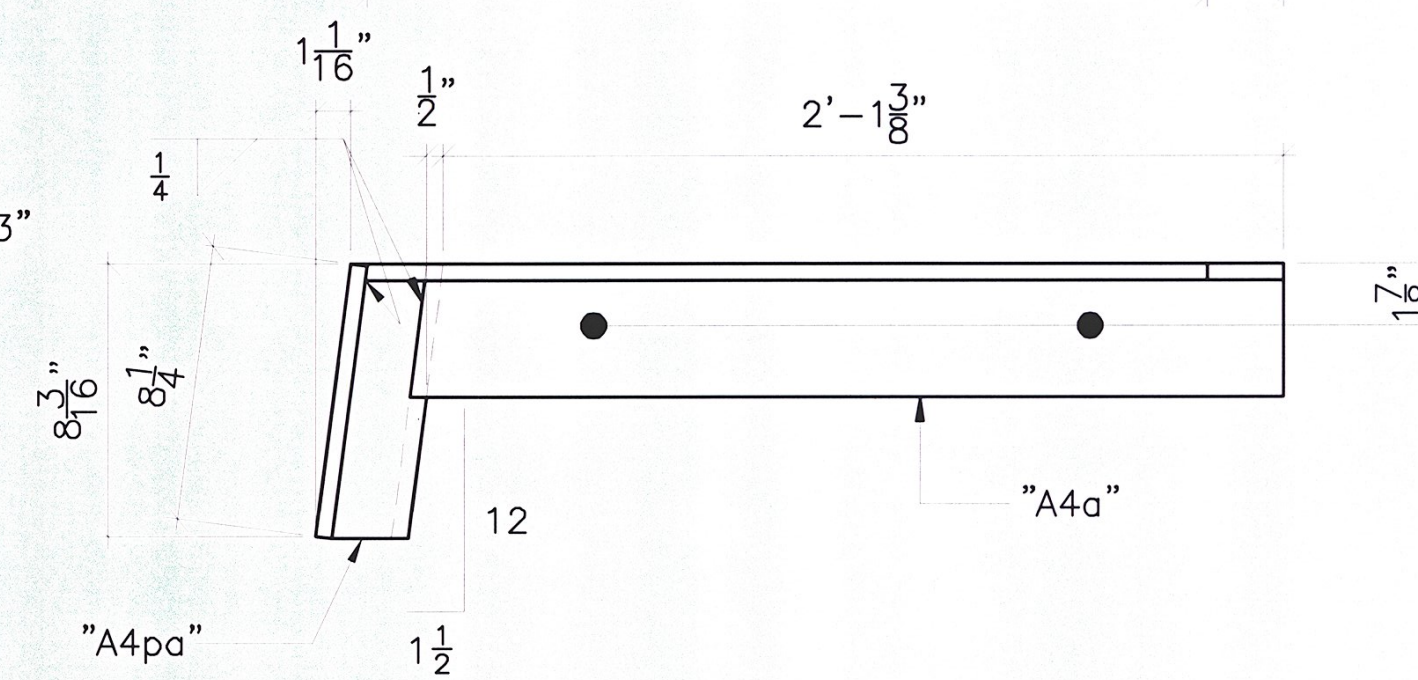
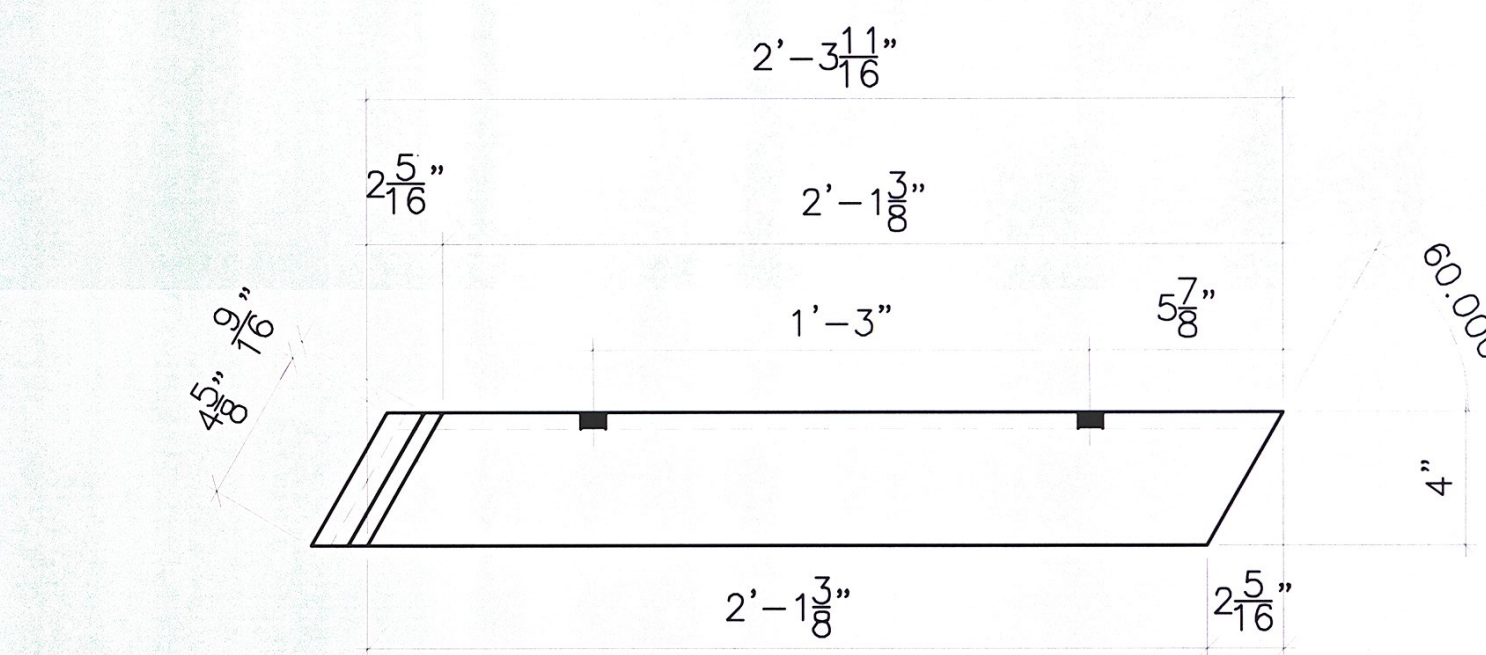
Weld sym bol shown incorrectly

3/4" CONC. STUDS "s3" N.S.

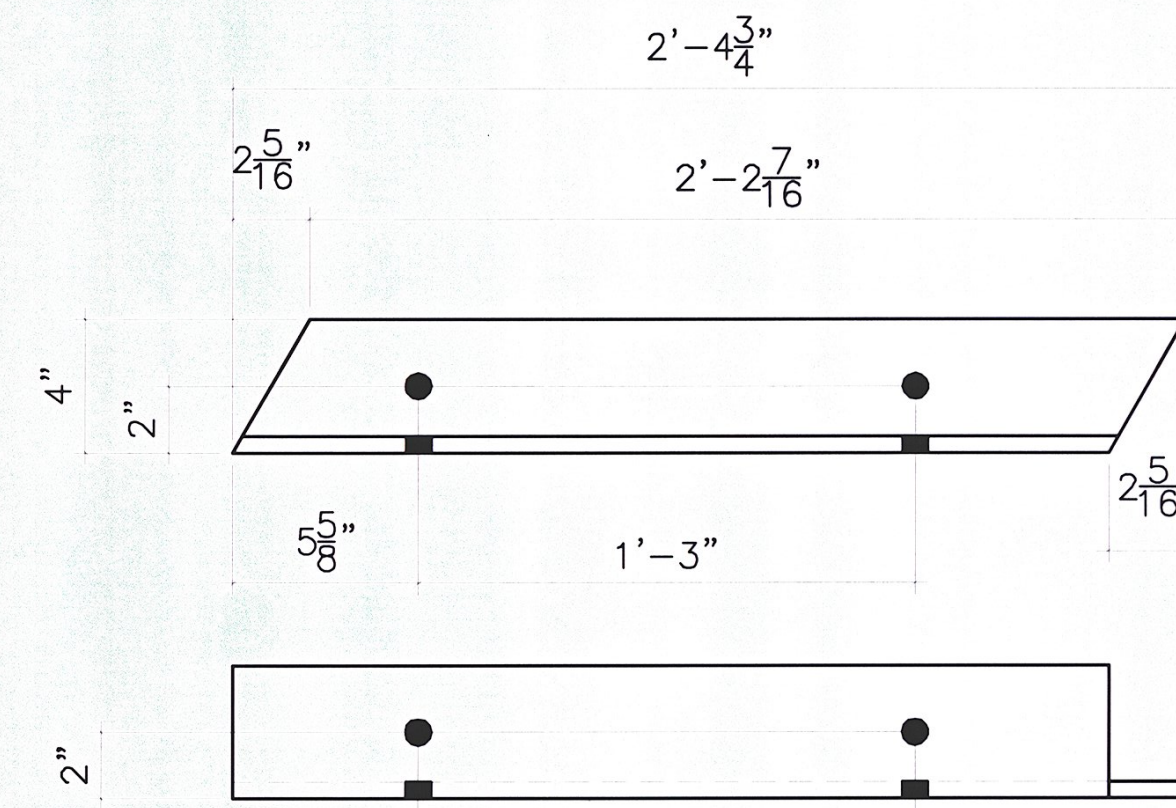


2-4X4X1/2, MARK "A2"

DRILL & TAP FOR 3/4" F.H. SCREWS



2-4X4X1/2 ASS'Y MARK "A4"



2-4X4X1/2, MARK "A1"

RECEIVED
CKT. BY SSS OK'D BY MEM
JAN 20 2010
RESUBMIT APPROVED As Noted
DATE 2/5/2010

ERECTION BOLTS W/H.H.N.			WASHERS		FINISH	
QUAN.	SIZE	LENGTH	FLAT	BEV.	GALV. AASHTO M232	
FINISH MATERIAL		HOT DIPPED GALVANIZED		FOR APPROVAL ONLY		
HOLES		AASHTO M270 GR. 36				
ELECTRODES		13/16" U.O.N.				
WELDS		PER W.P.S.				
SURFACE PREP		AS NOTED				
		SSPC-SP8				
			NO	DATE	DESCRIPTION	BY
REVISIONS						

ARC ENTERPRISES, INC.		ADVANCED RESOURCES & CONST. ENTERPRISES, INCORPORATED P.O. BOX 120 KINGFIELD, ME. 04847 PHONE: (207) 265-2646 - FAX: (207) 265-4054	
DRAFTER JAC	EXPANSION JOINT DETAILS		PROJECT NO. BRS 0284(14)
DATE 1/8/10	VERMONT AGENCY OF TRANSPORTATION, TOWNS OF MORETOWN-MIDDLESEX, U.S. RTE. 2 MAJOR COLL.		DWG. NO. 6
CHECKED MTD	G.C. WINTERSSET, INC.		
JOB #09-200			

WORK THIS DWG. WITH DWG. 5