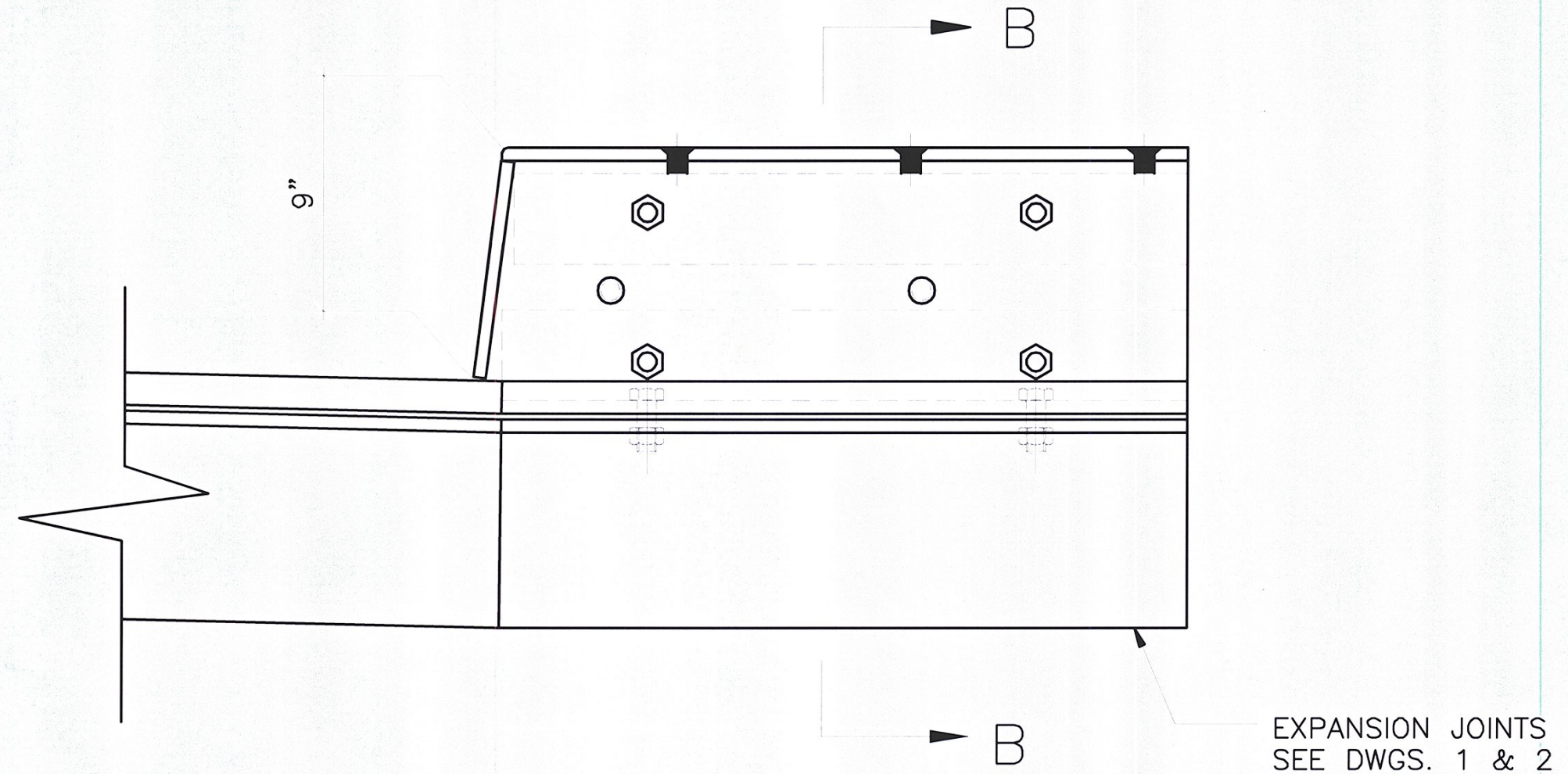


SECTION B-B

* SHOP NOTE:
MATCH DRILL HOLES AS REQ'D



SECTION A-A

*How is plate
attached to
SP2? we ld?*

BILL OF MATERIAL

SHIP	SHIP MARK	NO. PCS.	PIECE MARK	DESCRIPTION	LENGTH	REMARKS	MAT'L
		2	TP1	TOP PL ASS'Y			
		2	tp1a	PL 1/2 X 1 1/2	2'-9 1/16		
		2	tp1b	PL 1/2 X 8 3/8	1'-1 1/8		
		2	SP1	SIDE PL ASS'Y			
		2	sp1a	PL 1/2 X 8 1/2	2'-3 1/16		
		4	s3	3/4" CONC. STUD	0'-8		
		2	SP2	SIDE PL ASS'Y			
		2	sp2a	PL 1/2 X 2	2'-3 7/16		
		2	sp2b	PL 1/2 X 2 15/16	0'-8 3/16		
		2	sp2c	PL 1/2 X 8 1/2	2'-3 1/16		
		4	s3	3/4" CONC. STUD	0'-8		
		2	A1	4X4X1/2	2'-4 3/4		
		2	A2	4X4X1/2	2'-4 3/16		
		2	A3	4X4X1/2	2'-4 3/16		
		2	A4	ANGLE ASS'Y			
		2	A4a	4X4X1/2	2'-3 11/16		
		2	A4pa	PL 1/2 X 5 1/8	0'-8 1/2		
		8	SB2	3/4" BOLT	0'-2 1/2	A325	
		16	SB3	3/4" BOLT	0'-2 1/2	A325	
		6	CS1	3/4" F.H. SCREW	0'-1 1/2	A325	

RECEIVED
OK'D BY SSS OK'D BY MPM
JAN 20 2010
RESUBMIT APPROVED As Noted
DATE 2/5/2010

QUAN.	SIZE	LENGTH	TYPE	WASHERS FLAT BEV.	FINISH GALV. AASHTO M232

FINISH: HOT DIPPED GALVANIZED
 MATERIAL: AASHTO M270 GR. 36
 HOLES: 13/16" U.O.N.
 ELECTRODES: PER W.P.S.
 WELDS: AS NOTED
 SURFACE PREP: SSPC-SP8

NO. DATE DESCRIPTION BY

FOR APPROVAL ONLY

REVISIONS

ARC
ADVANCED RESOURCES & CONST.
ENTERPRISES, INCORPORATED
P.O. BOX 120 KINGFIELD, ME. 04847
PHONE: (207) 265-2646 - FAX: (207) 265-4054

DRAFTER JAC	EXPANSION JOINT DETAILS	PROJECT NO. BRS 0284(14)
DATE 1/8/10	VERMONT AGENCY OF TRANSPORTATION, TOWNS OF MORETOWN-MIDDLESEX, U.S. RTE. 2 MAJOR COLL.	DWG. NO. 5
CHECKED MTD	G.C. WINTERSET, INC.	
JOB #09-200		

WORK THIS DWG. WITH DWG. 6