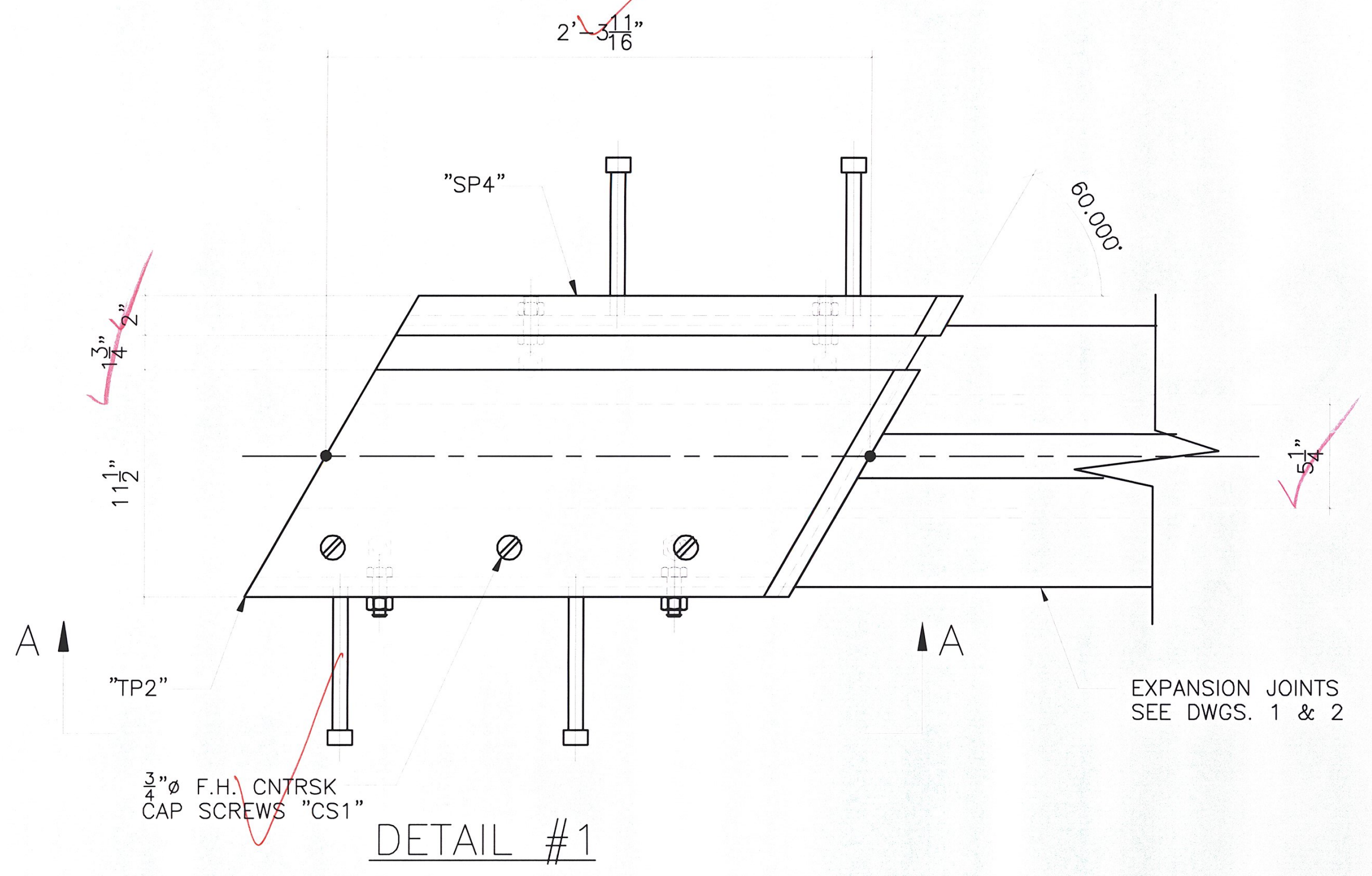
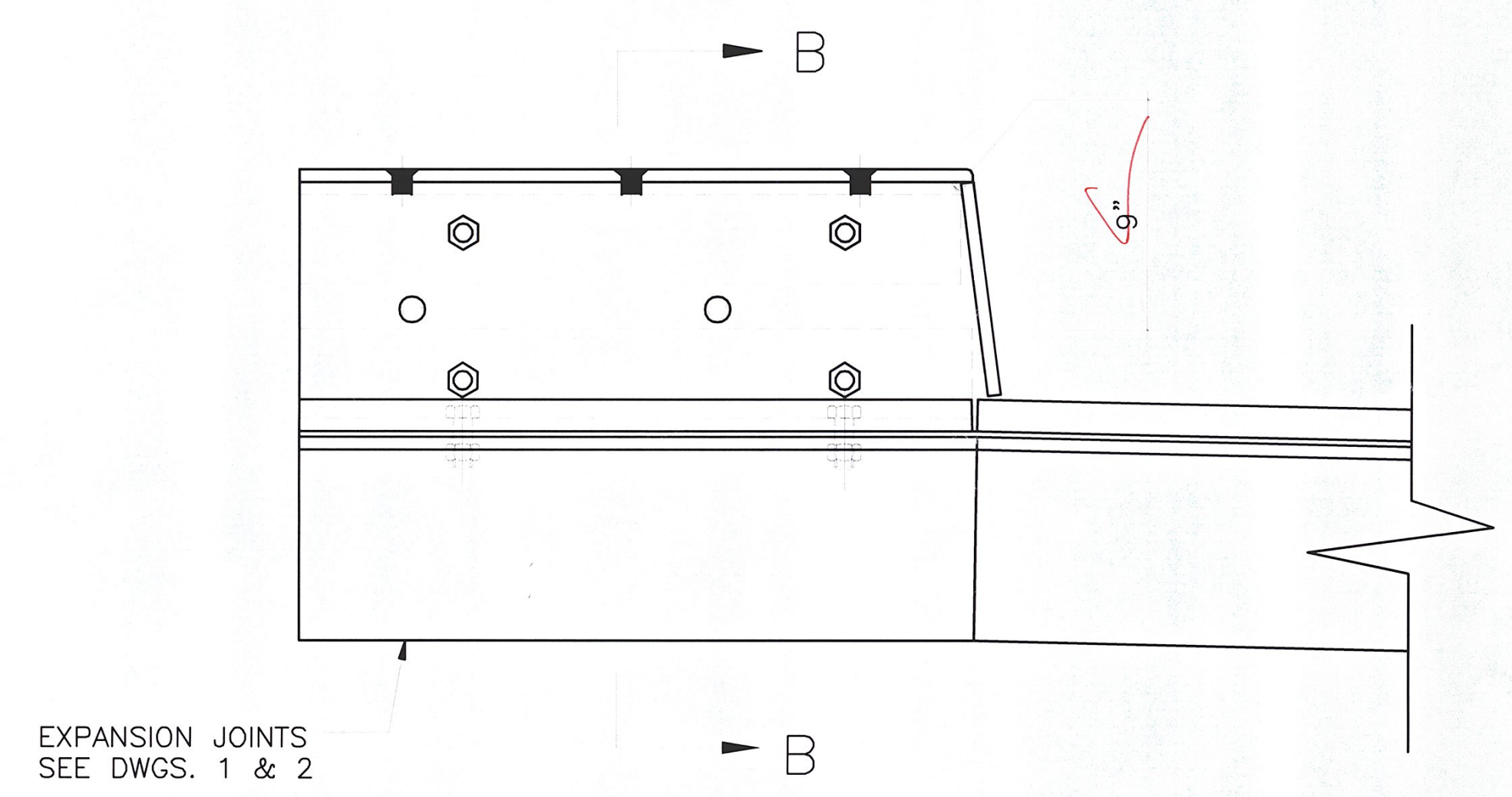


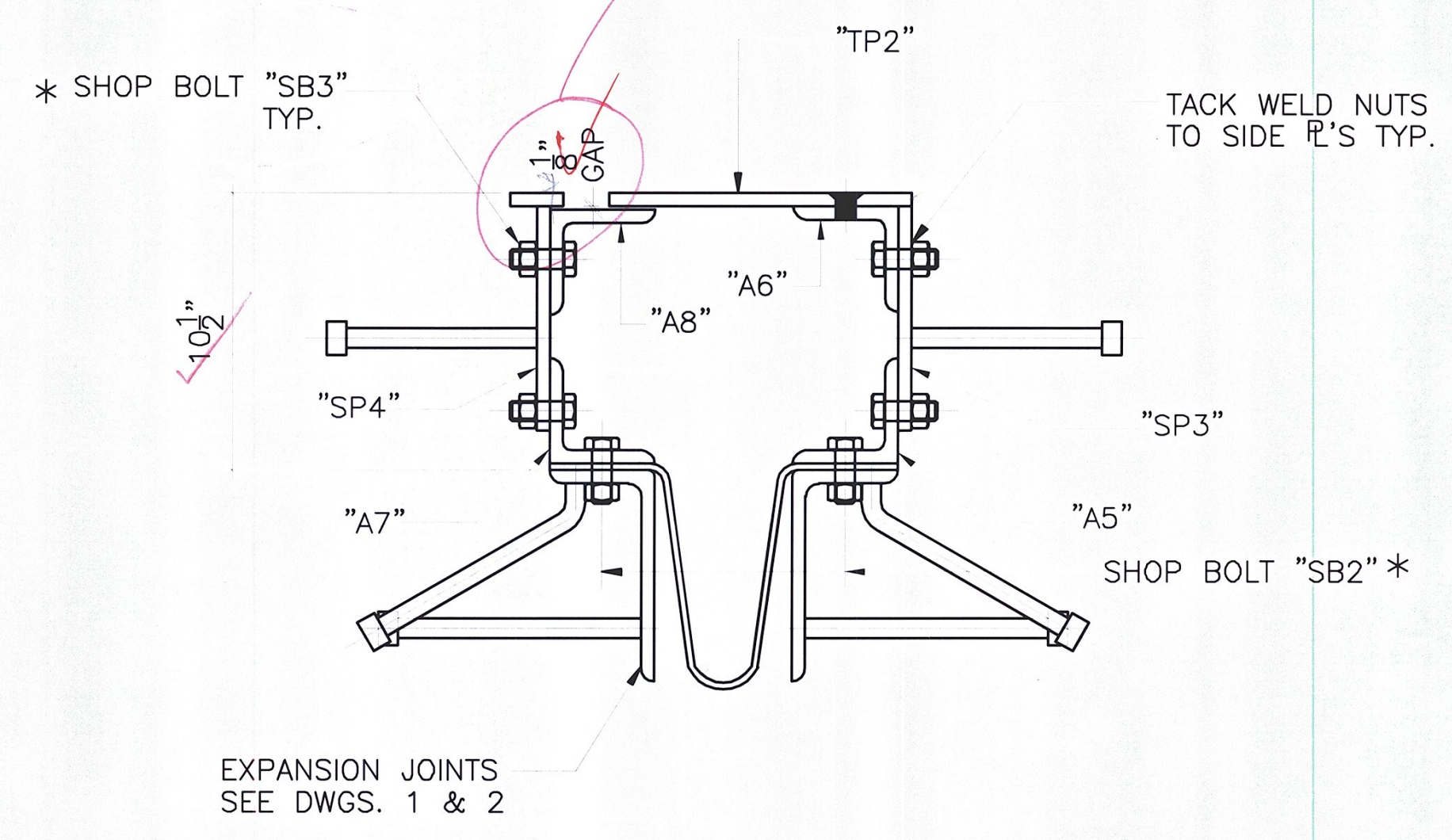
2' - 3 1/16" x 60.000" = 2.0'



DETAIL #1



SECTION A-A



SECTION B-B

* SHOP NOTE:
MATCH DRILL HOLES AS REQ'D

WORK THIS DWG. WITH DWG. 4

BILL OF MATERIAL

SHIP	SHIP MARK	NO. PCS.	PIECE MARK	DESCRIPTION	LENGTH	REMARKS	MAT'L
		2	TP2	TOP FL ASS'Y			
		2	tp2a	FL 1/2 X 11 1/2	2' - 9 1/8		
		2	tp2b	FL 1/2 X 8 3/8	1' - 1 1/8		
		2	SP3	SIDE FL ASS'Y			
		2	sp3a	FL 1/2 X 8 1/2	2' - 3 1/8		
		4	s3	3/4" CONC. STUD	0' - 8		
		2	SP4	SIDE FL ASS'Y			
		2	sp4a	FL 1/2 X 2	2' - 3 7/8		
		2	sp4b	FL 1/2 X 2 1/8	0' - 8 3/8		
		2	sp4c	FL 1/2 X 8 1/2	2' - 3 1/8		
		4	s3	3/4" CONC. STUD	0' - 8		
		2	A5	L4X4X1/2	2' - 4 3/4		
		2	A6	L4X4X1/2	2' - 4 3/8		
		2	A7	L4X4X1/2	2' - 4 3/8		
		2	A8	ANGLE ASS'Y			
		2	A8a	L4X4X1/2	2' - 4 3/8		
		2	A8pa	FL 1/2 X 5 7/8	0' - 8 1/4		
		8	SB2	3/4" BOLT	0' - 2 1/2	A325	
		16	SB3	3/4" BOLT	0' - 2 1/4	A325	
		6	CS1	3/4" F.H. SCREW	0' - 1 1/4	A325	

RECEIVED
CHK BY SSS OK'D BY MRM
JAN 20 2010
RESUBMIT APPROVED AS NOTED
BY DATE 2/5/2010

ERECTION BOLTS W/H.H.N.				WASHERS		FINISH	
QUAN.	SIZE	LENGTH	TYPE	FLAT	BEV.	GALV. AASHTO M232	
FINISH		HOT DIPPED GALVANIZED					
MATERIAL		AASHTO M270 GR. 36					
HOLES		13/16" U.O.N.					
ELECTRODES		PER W.P.S.					
WELDS		AS NOTED					
SURFACE PREP		SSPC-SP8					
		NO	DATE	DESCRIPTION		BY	

FOR APPROVAL ONLY

ARC
ADVANCED RESOURCES & CONST. ENTERPRISES, INCORPORATED
P.O. BOX 120 KINGFIELD, ME, 04947
PHONE: (207) 265-2646 - FAX: (207) 265-4054

DRAFTER		EXPANSION JOINT DETAILS		PROJECT NO.	
JAC	1/8/10			BRS 0284(14)	
MTD				VERMONT AGENCY OF TRANSPORTATION, TOWNS OF MORETOWN-MIDDLESEX, U.S. RTE. 2 MAJOR COLL.	
MTD				DWG. NO.	
#09-200		WINTERSET, INC.		3	