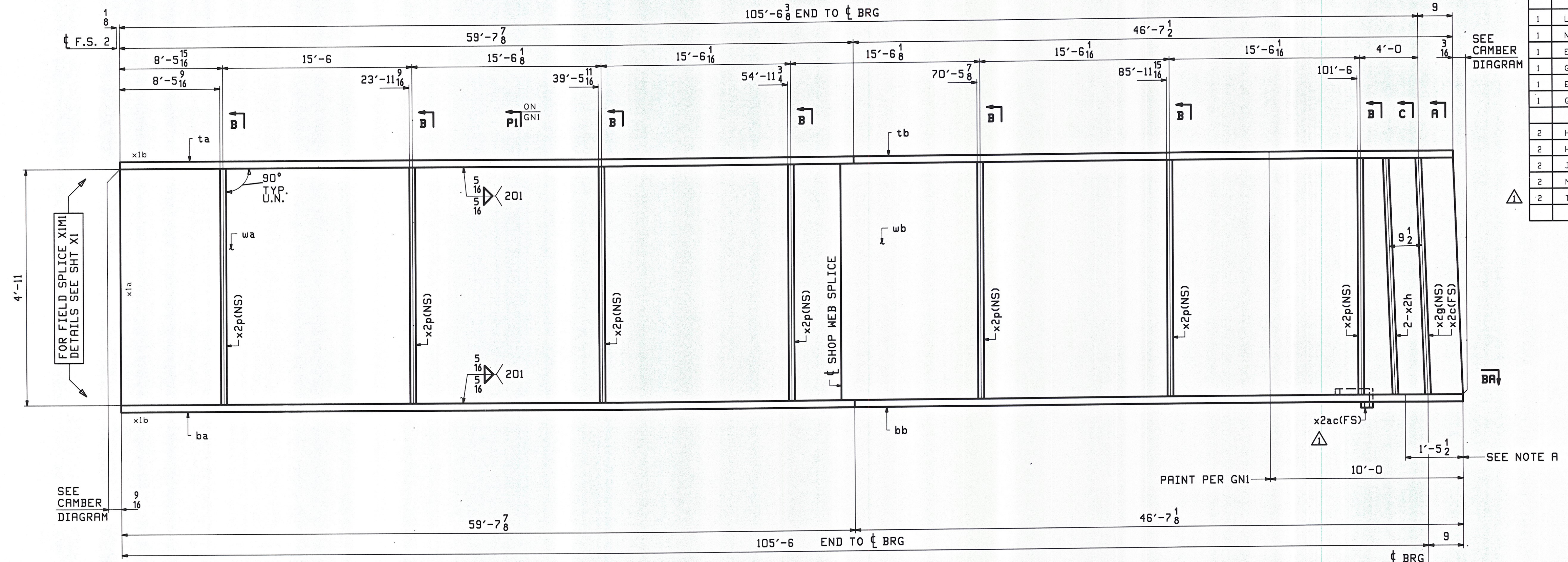


ABM INFO		BILL OF MATERIAL				JOB NO.		DRAWING NO.		REV.
PAGE	LINE	MARK	QTY	MARK	MATERIAL	LENGTH	REMARKS	WT	PROCUREMENT	NOTES
						FT				
						INCHES				
		7GIC	1		GIRDER				27141	
1	L		1	wa	PL 3/4 x 59	58 7/8	M270-50HT2 (H2-3)			
1	N		1	wb	PL 3/4 x 59	47 9/16	M270-50HT2 (H2-3)			
1	E		1	ta	PL 7/8 x 16	59 7/8	M270-50HT2 (H2-3)			
1	G		1	tb	PL 7/8 x 16	46 7/2	M270-50HT2 (H2-3)			
1	E		1	ba	PL 7/8 x 16	59 7/8	M270-50HT2 (H2-3)			
1	G		1	bb	PL 7/8 x 16	46 7/8	M270-50HT2 (H2-3)			
2	H		1	x2c	PL 3/4 x 8 1/2	4 11 1/16	MIE BEV			
2	H		1	x2g	PL 3/4 x 8 1/2	4 11 1/16	MIE BEV			
2	J		2	x2h	PL 3/4 x 7	4 11	MIE			
2	M		7	x2p	PL 3/4 x 7	4 11				
2	T		1	x2ac	PL 1/4 x 2 3/8	0 11				



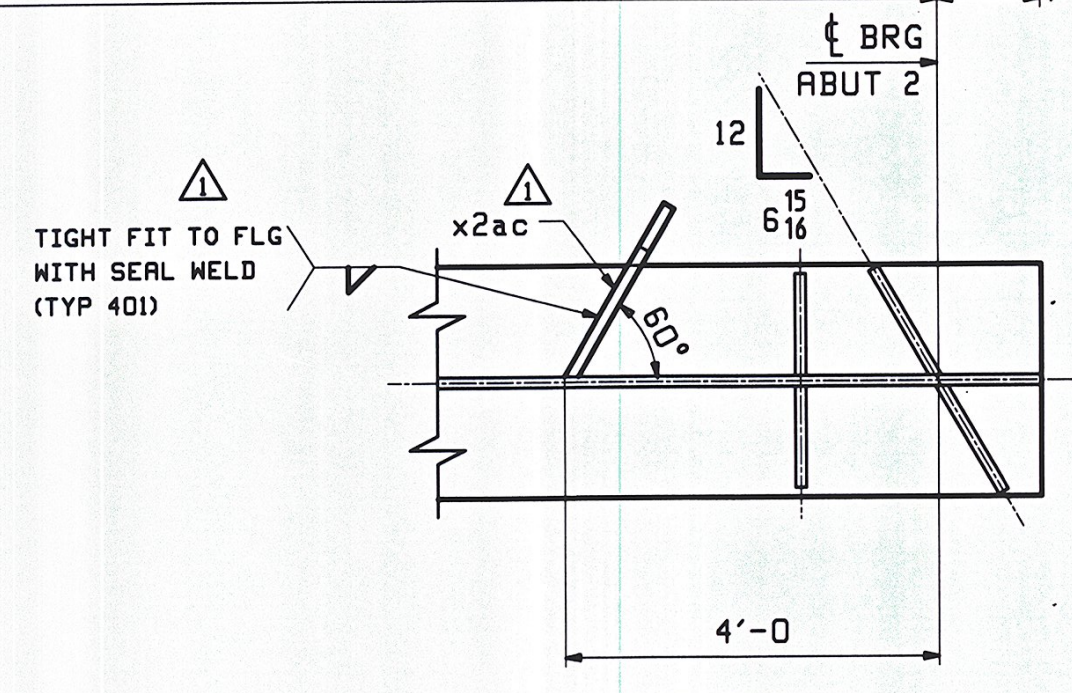
SEE CAMBER DIAGRAM

BA

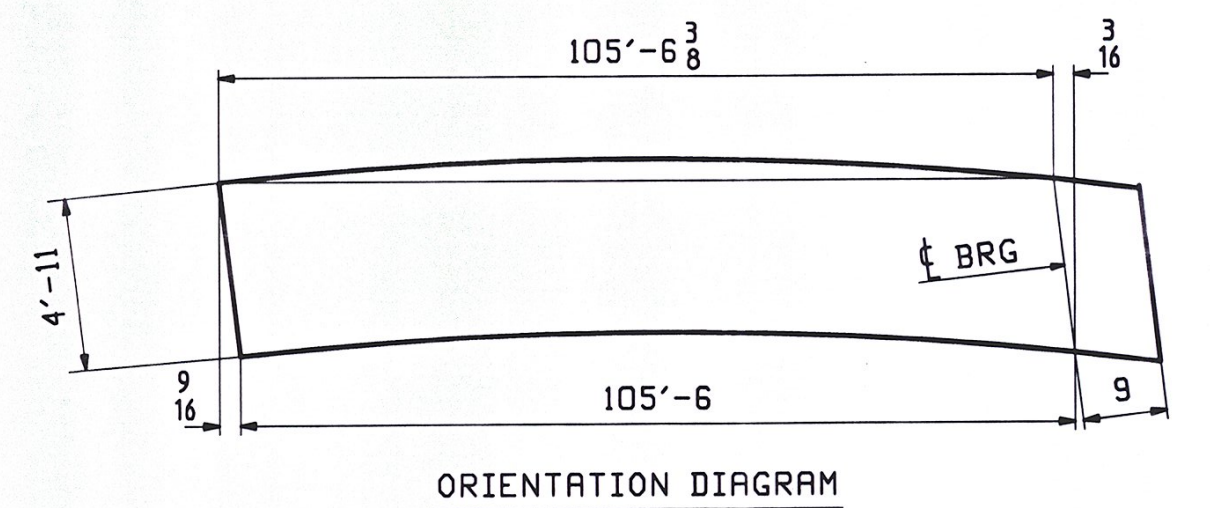
SEE NOTE A

ONE - GIRDER - 7GIC

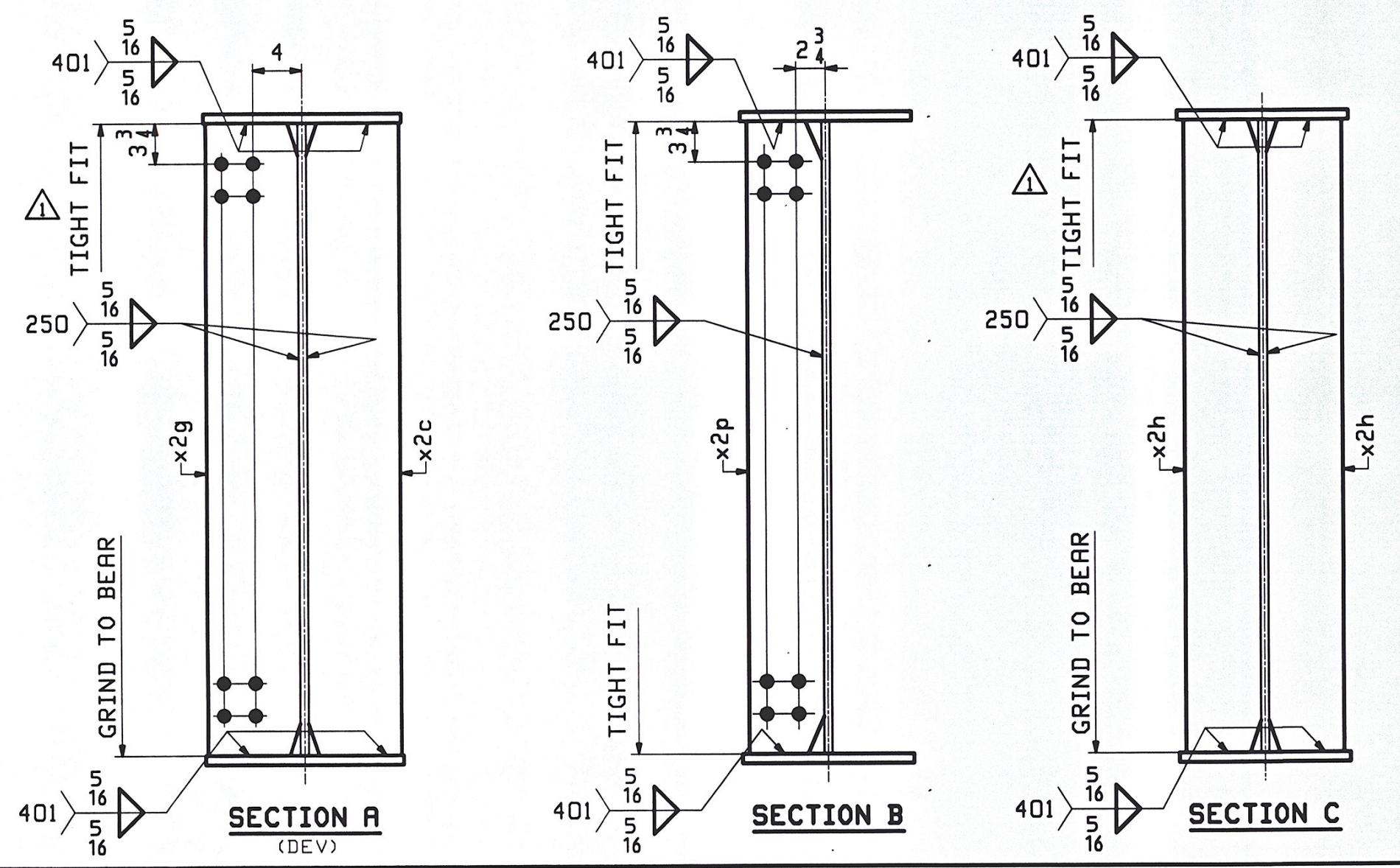
FOR FIELD SPLICE & STANDARD DETAILS SEE X SHEETS
 FOR CAMBER & FLANGE DIAGRAM SEE SHEET C3
 FOR GENERAL NOTES SEE SHEET GNI



SECTION BA



ORIENTATION DIAGRAM



SECTION A (DEV)

SECTION B

SECTION C

NOTE A:
NO PRINT BOTTOM AND EDGES OF BOTTOM FLANGE.

RECEIVED
 NOV 15 2009
 11/15/09

10/19	REVISED PER APPROVAL	WJF	PCR	11/02/2009	
0				11/07/2009	
REV. DATE	REMARKS	DWN	CHK	APVL	SHOP
MATERIAL:	SURFACE PREP. & PAINT:	HOLES:	SHOP BOLTS:		
M270-50W (UN)	SEE GNI	15/16" Ø U.N.	NONE		
DESCRIPTION: GIRDER - 7GIC					
CASCO BAY STEEL STRUCTURES, INC. 75 SPRING HILL ROAD SACO, MAINE 04072 PHONE (207) 282-7360 FAX. (207) 282-1179					
STRUCTURE: US RTE 2 OVER WINOOSKI RIVER WASHINGTON COUNTY, VT				DRAWN: WJF	DATE: 08/13
				CHKD: PCP	DATE: 08/17
LOCATION: TOWNS OF MORETOWN ~ MIDDLESEX, VT				JOB NO.	DWG NO.
PROJ NO. BRS 0284(14)				421-1	7
CUSTOMER: WINTERSSET INC.					REV. A

PCP Nov 15, 2009 09:40:00 AM C:\P\J\BRS0284\BRS0284_1.dwg