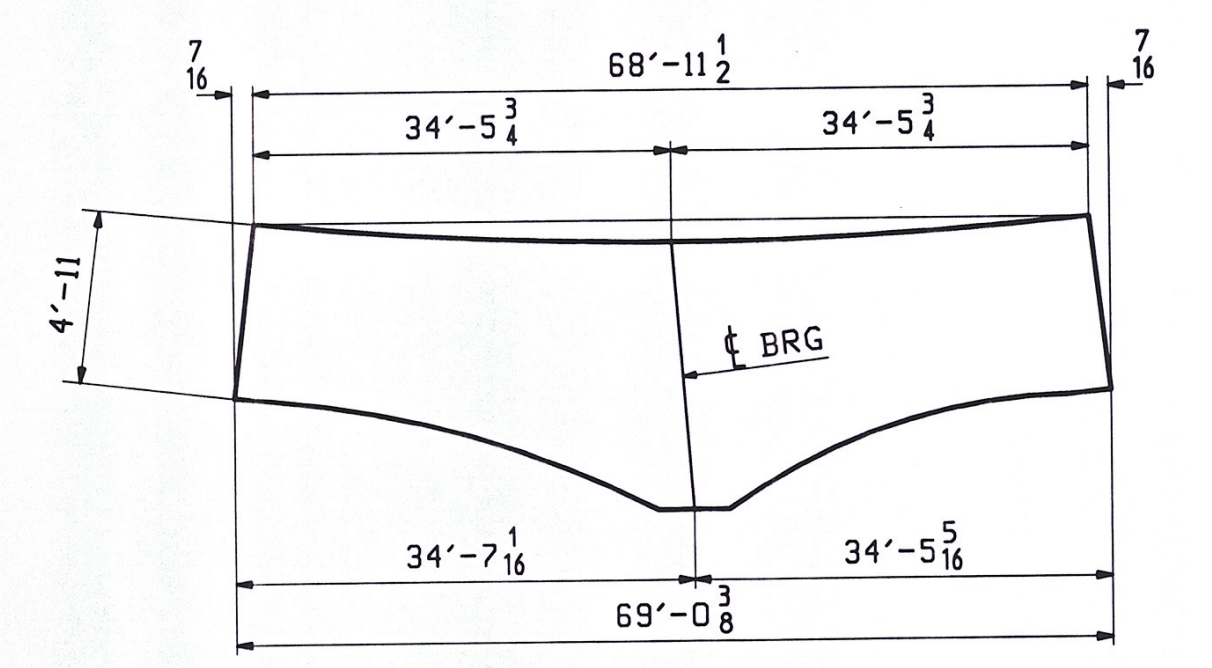


ABM INFO		BILL OF MATERIAL				JOB NO.		DRAWING NO.		REV.
PAGE	LINE	MARK	QTY	MARK	MATERIAL	LENGTH	REMARKS	WT	PROCUREMENT	NOTES
						FT				
		4G1B	1		GIRDER			26200		
1	J		1	wa	PL 3/4x95	69	0 3/8			M270-50WT2 (H2-3)
1	C		1	ta	PL 1x16	68	1 1/2			M270-50WT2 (H2-3)
1	A		1	ba	PL 1x16	69	5 5/8			M270-50WT2 (H2-3)
2	K		1	x2k	PL 1/2x8 1/2	7	11 1/8			MIE BEV
2	K		1	x2m	PL 1/2x8 1/2	7	11 1/8			MIE BEV
2	L		2	x2n	PL 1/2x7	7	11			MIE
2	N		1	x2s	PL 3/4x7	4	11 1/8			
2	N		1	x2t	PL 3/4x7	5	1 1/8			
2	Q		1	x2v	PL 3/4x7	6	9 1/8			
2	R		1	x2w	PL 3/4x7	7	5 8			
2	P		1	x2y	PL 3/4x7	6	3			
2	Q		1	x2aa	PL 3/4x7	6	9 1/8			
2	V		1	x2ad	PL 1/2x3	0	11			
2	V		1	x2af	PL 1/2x3	0	11			

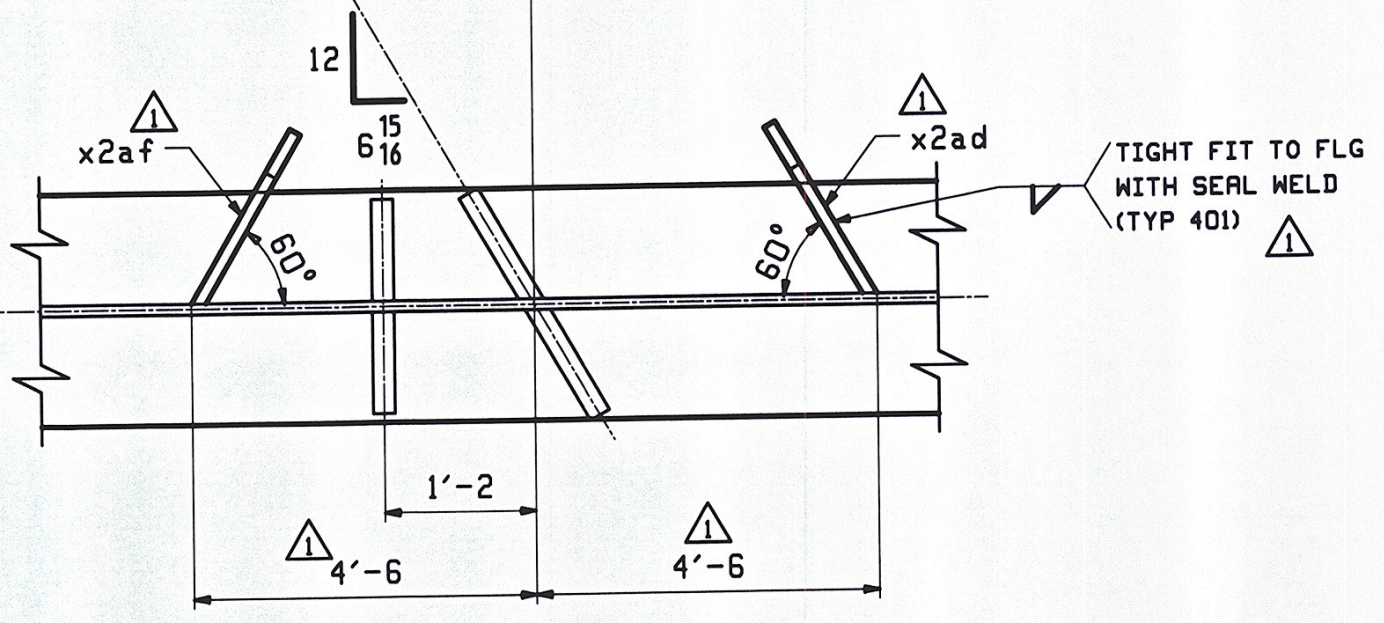
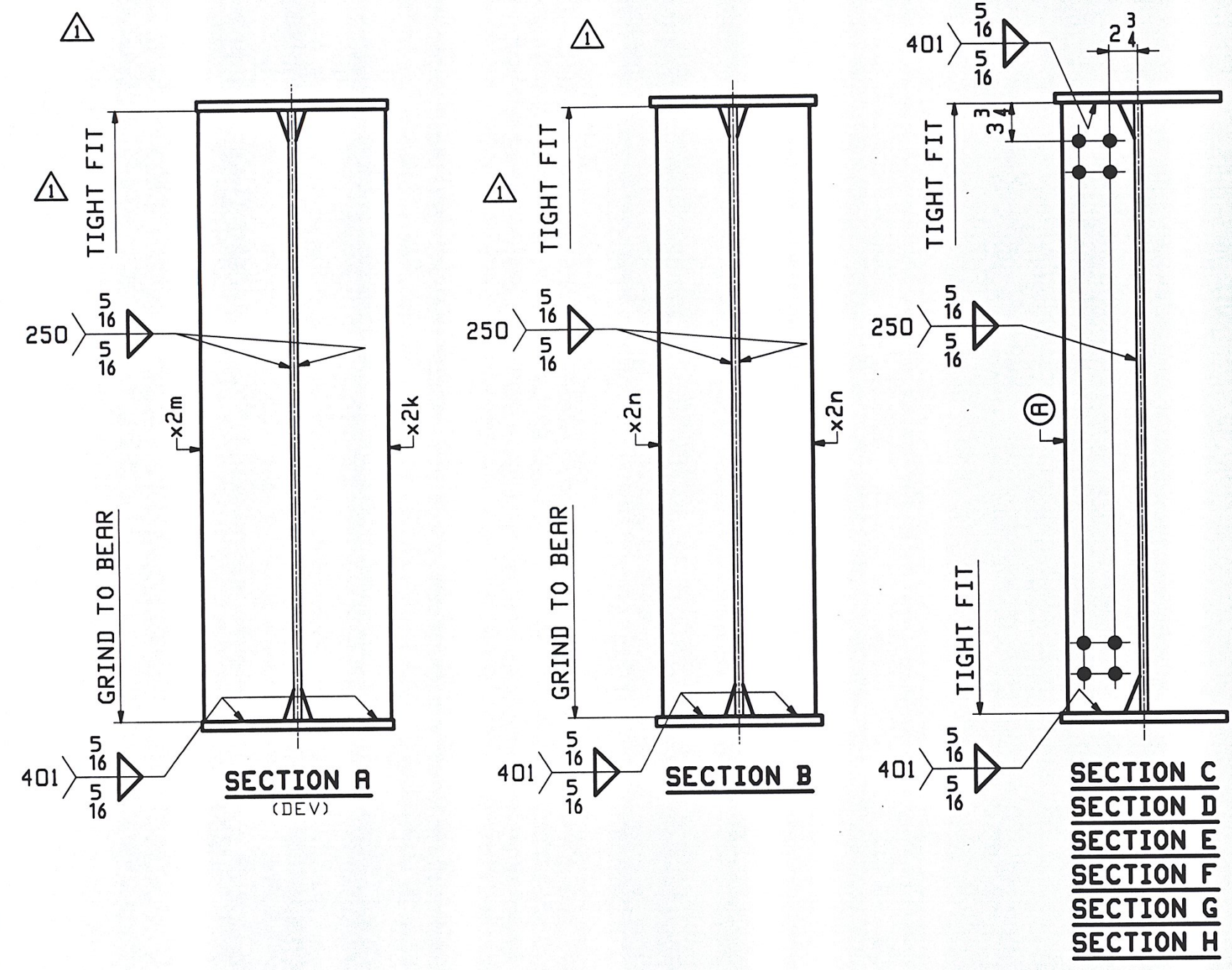
FOR FIELD SPLICE XIMI  
DETAILS SEE SHT X1

FOR FIELD SPLICE XIMI  
DETAILS SEE SHT X1

**ONE - GIRDER - 4G1B**  
FOR FIELD SPLICE & STANDARD DETAILS SEE X SHEETS  
FOR CAMBER & FLANGE DIAGRAM SEE SHEET C2  
FOR GENERAL NOTES SEE SHEET GNI



ORIENTATION DIAGRAM



SECTION	(R)
C	x2t
D	x2v
E	x2w
F	x2aa
G	x2y
H	x2s

RECEIVED  
OK'D BY: *SSS* OK'D BY: *mm*  
NOV 05 2009  
BY: *mm* DATE: *11/5/09*

10/19	REVISED PER APPROVAL	WJF	PCP	REV. 0 2 2009		
0				AUG 27 2009		
REV.	DATE	REMARKS	DWN	CHK	APVL	SHOP
MATERIAL:		SURFACE PREP. & PAINT:		HOLES:		SHOP BOLTS:
M270-50W (UN)		SEE GNI		15/16" U.N.		NONE
DESCRIPTION: GIRDER - 4G1B						
CASCO BAY STEEL STRUCTURES, INC. 75 SPRING HILL ROAD PHONE (207) 282-7360				SACO, MAINE 04072 FAX (207) 282-1179		
STRUCTURE: US RTE 2 OVER WINDOOSKI RIVER WASHINGTON COUNTY, VT		DRAWN: WJF	DATE: 08/13			
		CHKD: PCP	DATE: 08/17			
LOCATION: TOWNS OF MORETOWN ~ MIDDLESEX, VT			JOB NO. 421-1	DWG NO. 4		
PROJ. NO. BRS 0284(14)			REV. 4			
CUSTOMER: WINTERSET INC.						