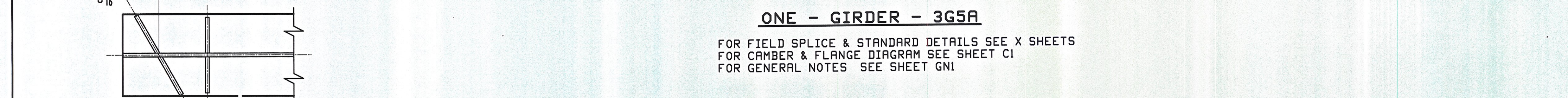
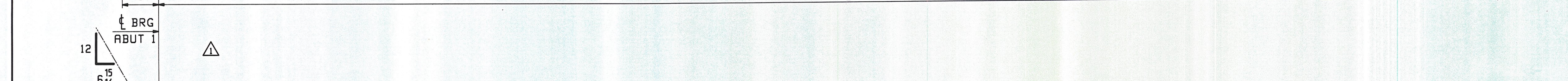
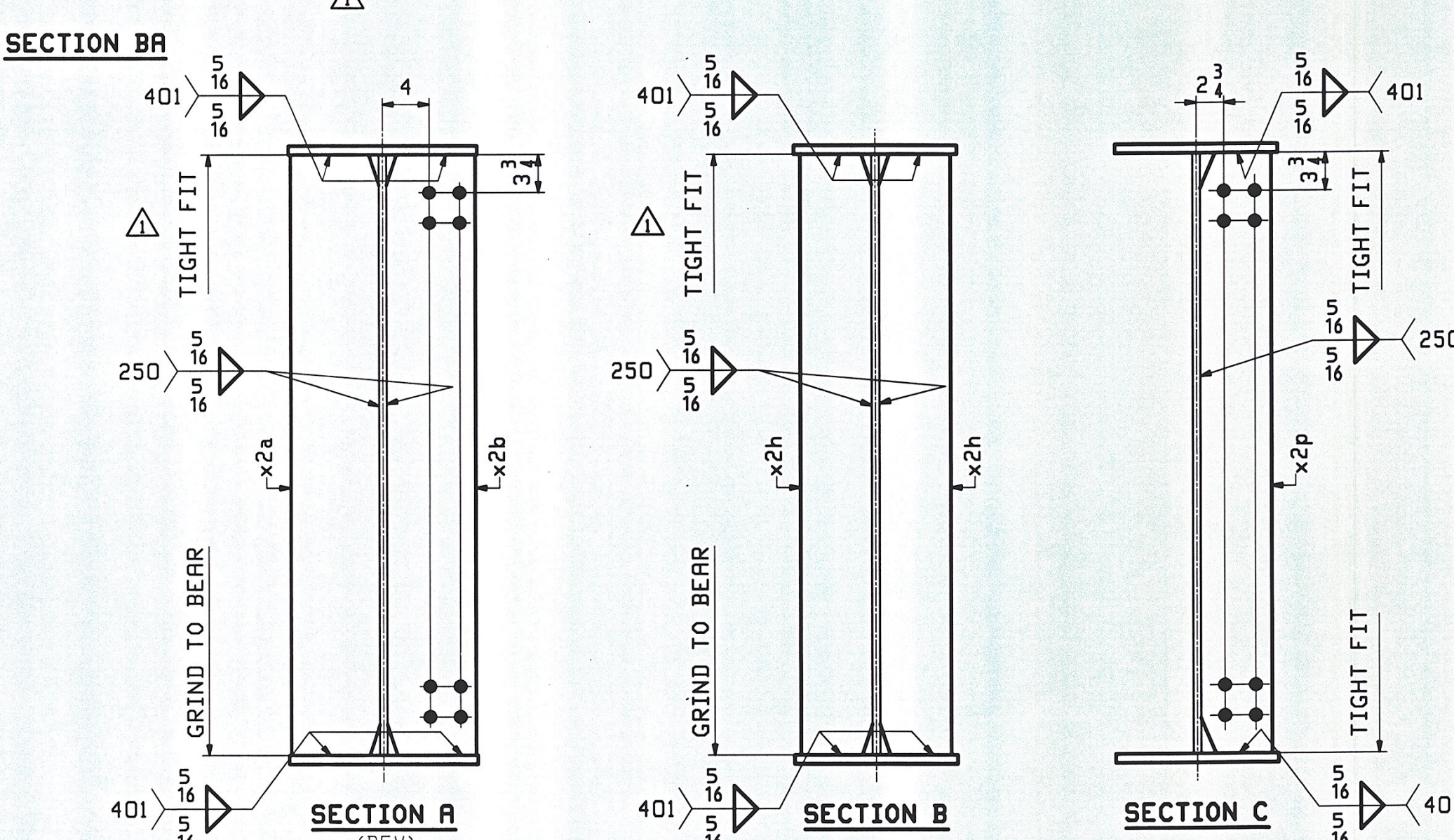


JOB NO.		DRAWING NO.		REV.			
3		3					
ABM INFO	SHIP	BILL OF MATERIAL		REMARKS	WT	PROCUREMENT NOTES	
PAGE	LINE	MARK	QTY	MARK	MATERIAL	LENGTH FT INCHES	
		3G5A	1		GIRDER		27126
1	N		1	wa	PL 3/4 x 59	47 8 1/2	M270-SQHT2 (H2-3)
1	L		1	wb	PL 3/4 x 59	58 6 8	M270-SQHT2 (H2-3)
1	G		1	ta	PL 7/8 x 16	46 7 2	M270-SQHT2 (H2-3)
1	E		1	tb	PL 7/8 x 16	59 7 8	M270-SQHT2 (H2-3)
1	G		1	ba	PL 7/8 x 16	46 5 1/2	M270-SQHT2 (H2-3)
1	E		1	bb	PL 7/8 x 16	59 7 1/2	M270-SQHT2 (H2-3)
2	H		1	x2a	PL 3/4 x 8 1/2	4 11	MIE BEV
2	H		1	x2b	PL 3/4 x 8 1/2	4 11	MIE BEV
2	J		2	x2h	PL 3/4 x 7	4 11	MIE
2	M		7	x2p	PL 3/4 x 7	4 11	MIE



ONE - GIRDER - 3G5A
 FOR FIELD SPLICE & STANDARD DETAILS SEE X SHEETS
 FOR CAMBER & FLANGE DIAGRAM SEE SHEET C1
 FOR GENERAL NOTES SEE SHEET GNI



NOTE A:
 NO PRINT BOTTOM AND EDGES OF BOTTOM FLANGE.

RECEIVED
 NOV 05 2009
 BY: [Signature]

10/19	REVISED PER APPROVAL	WJF	PCP	02/2009	
0				07/2009	
REV. DATE	REMARKS	DWN	CHK	APVL	SHOP
	MATERIAL: M270-SQW (UN)				SHOP BOLTS: NONE
	REMARKS: SURFACE PREP. & PAINT: SEE GNI				HOLES: 15/16\"/>
DESCRIPTION: GIRDER - 3G5A					
CASCO BAY STEEL STRUCTURES, INC. 75 SPRING HILL ROAD SACO, MAINE 04072 PHONE (207) 282-7360 FAX. (207) 282-1179					
STRUCTURE: US RTE 2 OVER WINOOSKI RIVER WASHINGTON COUNTY, VT				DRAWN: WJF	DATE: 08/12
				CHKD: PCP	DATE: 08/17
LOCATION: TOWNS OF MORETOWN ~ MIDDLESEX, VT				JOB NO.	DWG NO.
PROJ NO. BRS 0284(14)				421-1	3
CUSTOMER: WINTERSSET INC.				REV.	△