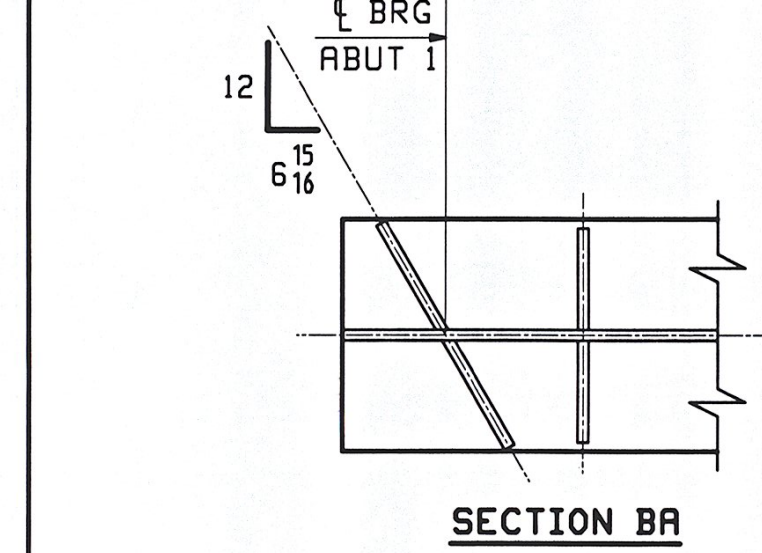
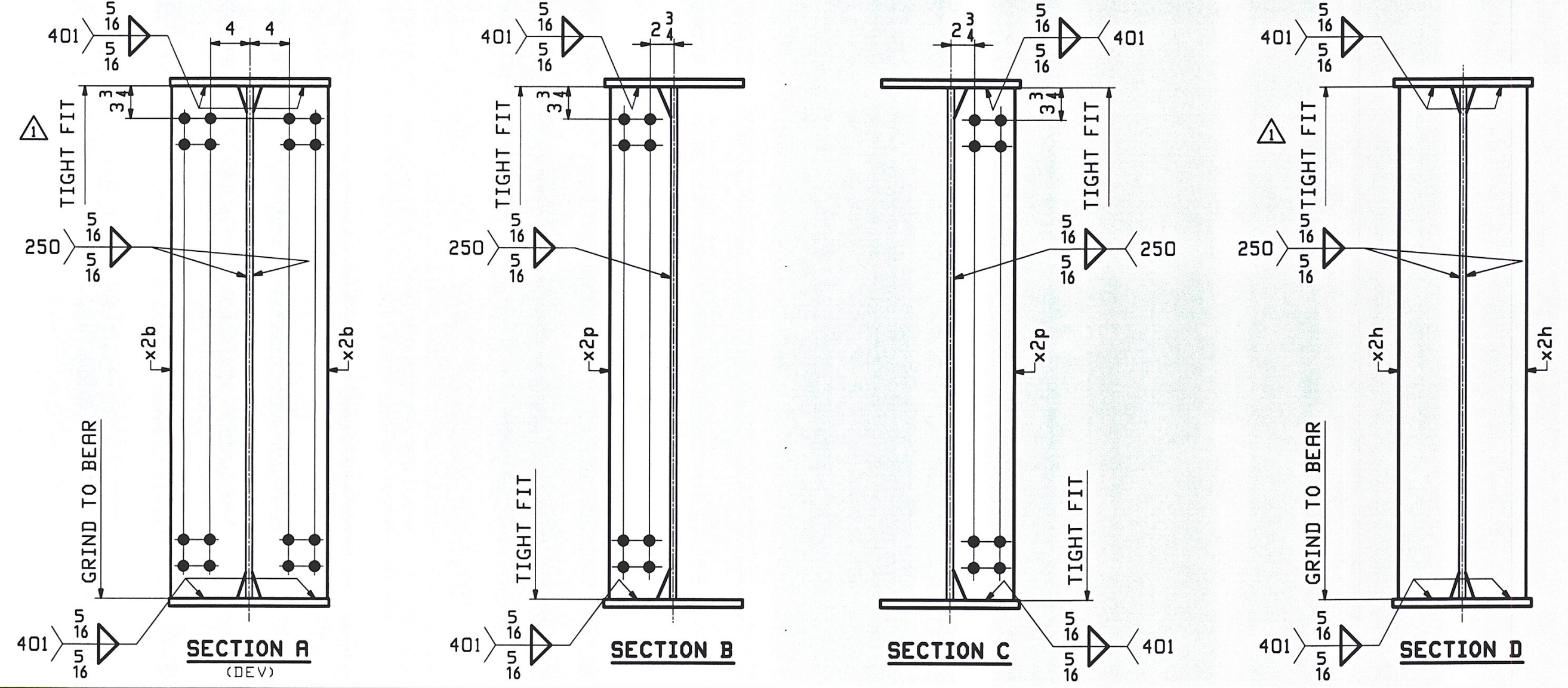
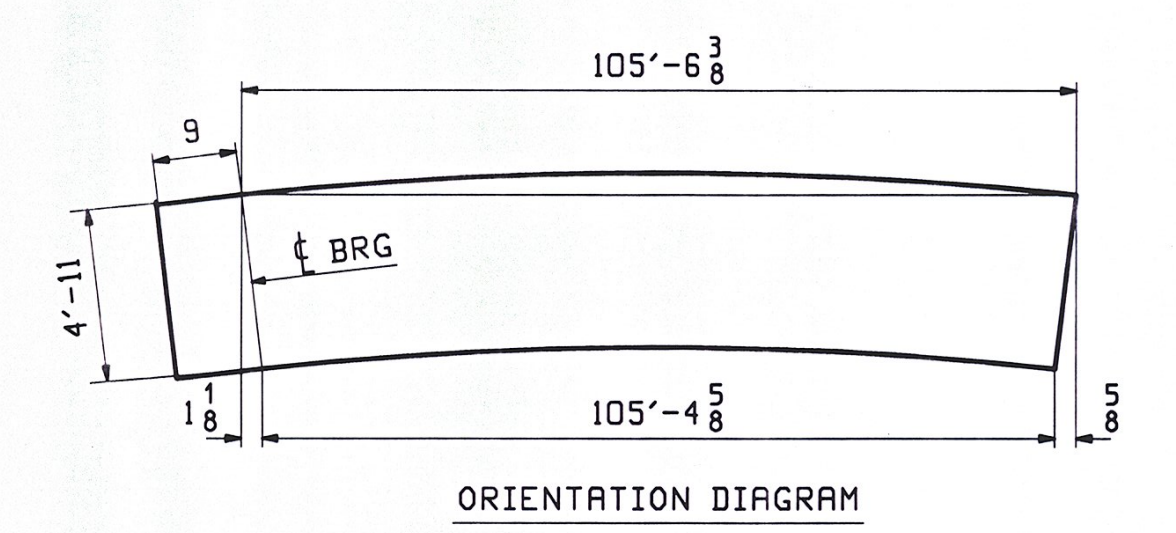


FOR FIELD SPLICE XIMI DETAILS SEE SHT XI



ONE - GIRDER - 2G2A
 ONE - GIRDER - 2G3A } ALIKE EXCEPT FOR MARKS
 ONE - GIRDER - 2G4A

FOR FIELD SPLICE & STANDARD DETAILS SEE X SHEETS
 FOR CAMBER & FLANGE DIAGRAM SEE SHEET C1
 FOR GENERAL NOTES SEE SHEET GNI



NOTE A:
 NO PAINT BOTTOM AND EDGES OF BOTTOM FLANGE.

RECEIVED
 OCT 27 2009
 NOV 10 2009
 RECEIVED BY: [Signature]
 APPROVED BY: [Signature]

BILL OF MATERIAL					JOB NO.	DRAWING NO.	REV.		
ABM INFO	SHIP				2	2			
PRG	LINE	MARK	QTY	MARK	MATERIAL	LENGTH FT INCHES	REMARKS	WT	PROCUREMENT NOTES
		2G2A	1		GIRDER			2774	
		2G3A	1		GIRDER			2774	
		2G4A	1		GIRDER			2774	
1	N		3	wa	PL 3/4 x 59	47 8 1/2			
1	L		3	wb	PL 3/4 x 59	58 6 8			
1	G		3	ta	PL 7/8 x 16	46 7 1/2			
1	E		3	tb	PL 7/8 x 16	59 7 7/8			
1	G		3	ba	PL 7/8 x 16	46 5 1/8			
1	E		3	bb	PL 7/8 x 16	59 7 13/16			
2	H		6	x2b	PL 3/4 x 8 1/2	4 11			MIE BEV
2	J		6	x2h	PL 3/4 x 7	4 11			MIE
2	M		42	x2p	PL 3/4 x 7	4 11			

10/19	REVISED PER APPROVAL	WJF	PCP	08/02/2009		
0				08/27/2009		
REV.	DATE	REMARKS	DWN	CHK	APVL	SHOP
MATERIAL:		SURFACE PREP. & PAINT:		HOLES:		SHOP BOLTS:
M270-50W (UN)		SEE GNI		15/16" U.N.		NONE
DESCRIPTION: GIRDERS - 2G2A, 2G3A, 2G4A						
CASCO BAY STEEL STRUCTURES, INC. 75 SPRING HILL ROAD SACO, MAINE 04072 PHONE (207) 282-7360 FAX. (207) 282-1179						
STRUCTURE: US RTE 2 OVER WINOOSKI RIVER WASHINGTON COUNTY, VT				DRAWN:	DATE:	
				WJF	08/12	
				CHKD:	DATE:	
				PCP	08/17	
LOCATION: TOWNS OF MORETOWN ~ MIDDLESEX, VT				JOB NO.	DWG NO.	
PROJ NO. BRS 0284(14)				421-1	2	
CUSTOMER: WINTERSET INC.						REV. 1

PCP Mod. 04.18.2009 08:00:28 AM C:\AS\14\284\284.dwg