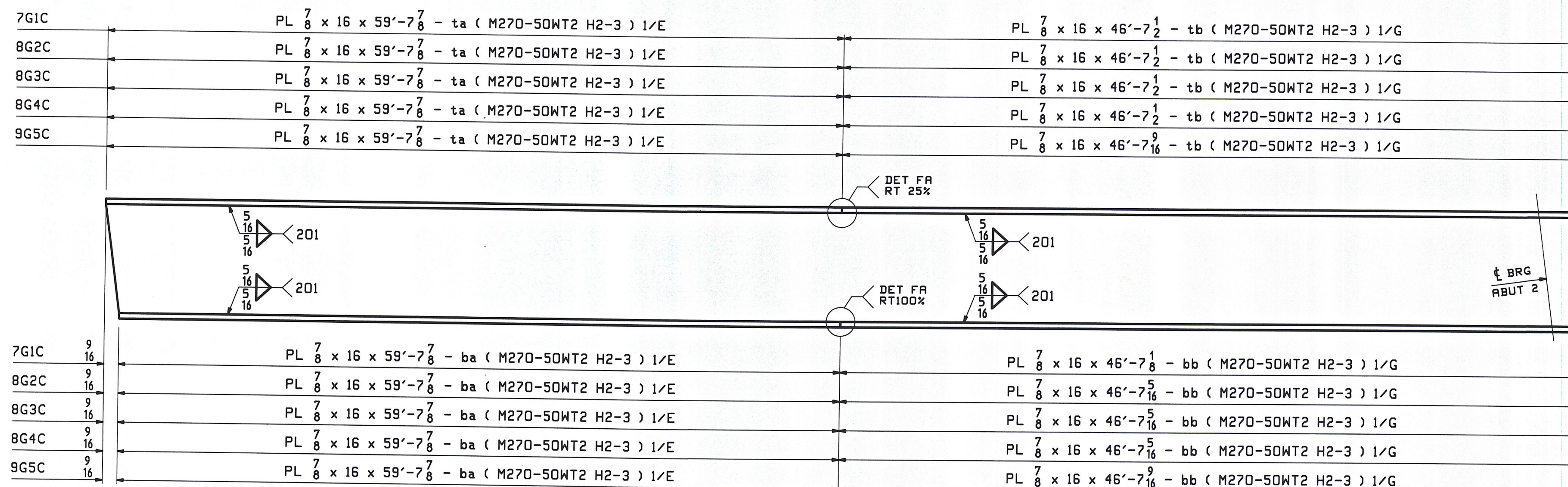
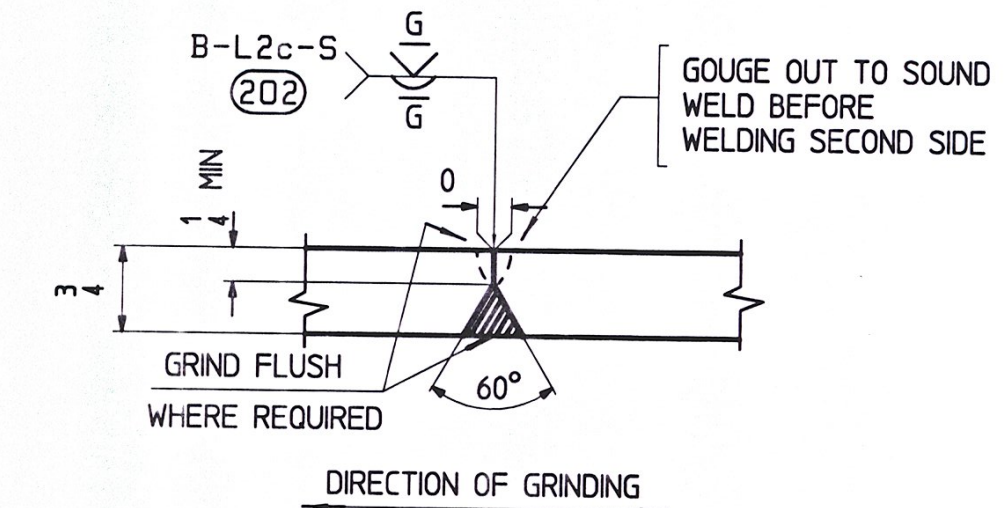


WEB CUTTING DIAGRAM FOR 7G1C, 8G2C, 8G3C, 8G4C, 9G5C

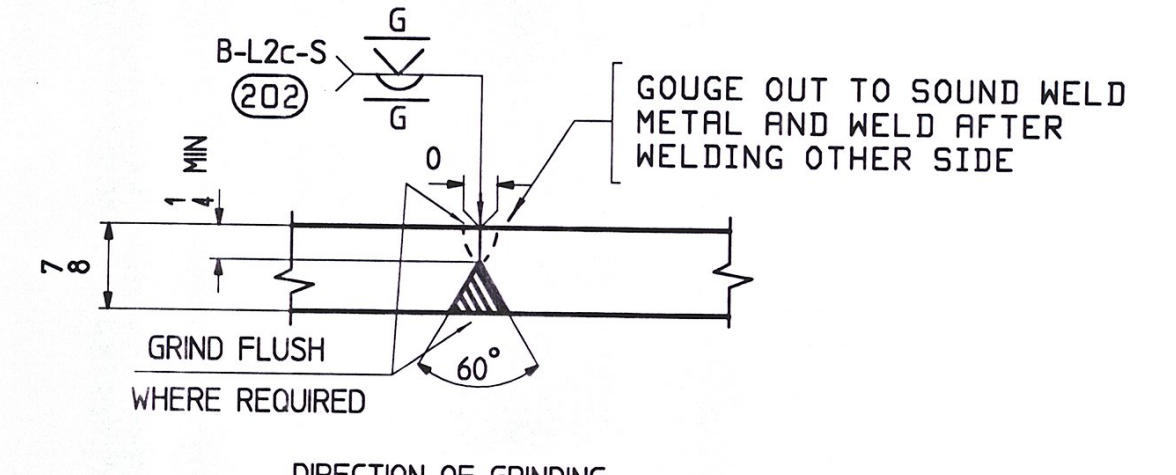
MARK	TL	BL	RE	WL2	WX2
7G1C	105'-6 <sup>3</sup> / <sub>8</sub>	105'-6	<sup>3</sup> / <sub>16</sub>	46'-11 <sup>1</sup> / <sub>2</sub>	47'-9 <sup>1</sup> / <sub>16</sub>
8G2C	105'-6 <sup>3</sup> / <sub>8</sub>	105'-6 <sup>3</sup> / <sub>16</sub>	<sup>3</sup> / <sub>8</sub>	46'-11 <sup>1</sup> / <sub>2</sub>	47'-9 <sup>1</sup> / <sub>4</sub>
8G3C	105'-6 <sup>3</sup> / <sub>8</sub>	105'-6 <sup>3</sup> / <sub>16</sub>	<sup>3</sup> / <sub>8</sub>	46'-11 <sup>1</sup> / <sub>2</sub>	47'-9 <sup>1</sup> / <sub>4</sub>
8G4C	105'-6 <sup>3</sup> / <sub>8</sub>	105'-6 <sup>3</sup> / <sub>16</sub>	<sup>3</sup> / <sub>8</sub>	46'-11 <sup>1</sup> / <sub>2</sub>	47'-9 <sup>1</sup> / <sub>4</sub>
9G5C	105'-6 <sup>7</sup> / <sub>16</sub>	105'-6 <sup>7</sup> / <sub>16</sub>	<sup>9</sup> / <sub>16</sub>	46'-11 <sup>9</sup> / <sub>16</sub>	47'-9 <sup>1</sup> / <sub>2</sub>



FLANGE DIAGRAM FOR 7G1C, 8G2C, 8G3C, 8G4C, 9G5C



WEB PLATE SPLICE DETAIL "WB"



FLANGE SPLICE DETAIL "FA"

- NOTES:
- FOR GENERAL SHOP NOTES SEE DRAWING GNI
  - H2-3 INDICATES PLATES THAT REQUIRE CHARPY V-NOTCH TEST AT H FREQUENCY FOR ZONE 2
  - RT INDICATES RADIOGRAPHIC TESTING REQUIRED
  - ALL MATERIALS AASHTO M270-GR50W

REV.	DATE	REMARKS	DWN	CHK	APVL	SHOP
0						
MATERIAL:		SURFACE PREP. & PAINT:		HOLES:		SHOP BOLTS:
M270-50W		SEE GNI		AS NOTED		AS NOTED
DESCRIPTION: CAMBER & FLANGE DIAGRAMS						
CASCO BAY STEEL STRUCTURES, INC. 75 SPRING HILL ROAD SACO, MAINE 04072 PHONE (207) 282-7360 FAX. (207) 282-1179						
STRUCTURE: US RTE 2 OVER WINOOSKI RIVER WASHINGTON COUNTY, VT			DRAWN:	DATE:		
			CRK	08/05		
			CHKD:	DATE:		
			RLA	08/10		
LOCATION: TOWNS OF MORETOWN ~ MIDDLESEX, VT			JOB NO.	DWG NO.		
PROJ NO. BRS 0284(14)			421-1		C3	
CUSTOMER: WINTERSSET INC.			REV.			

RECEIVED  
BY: SSS OK'D BY: MEM  
NOV 9 2005  
11/6/09