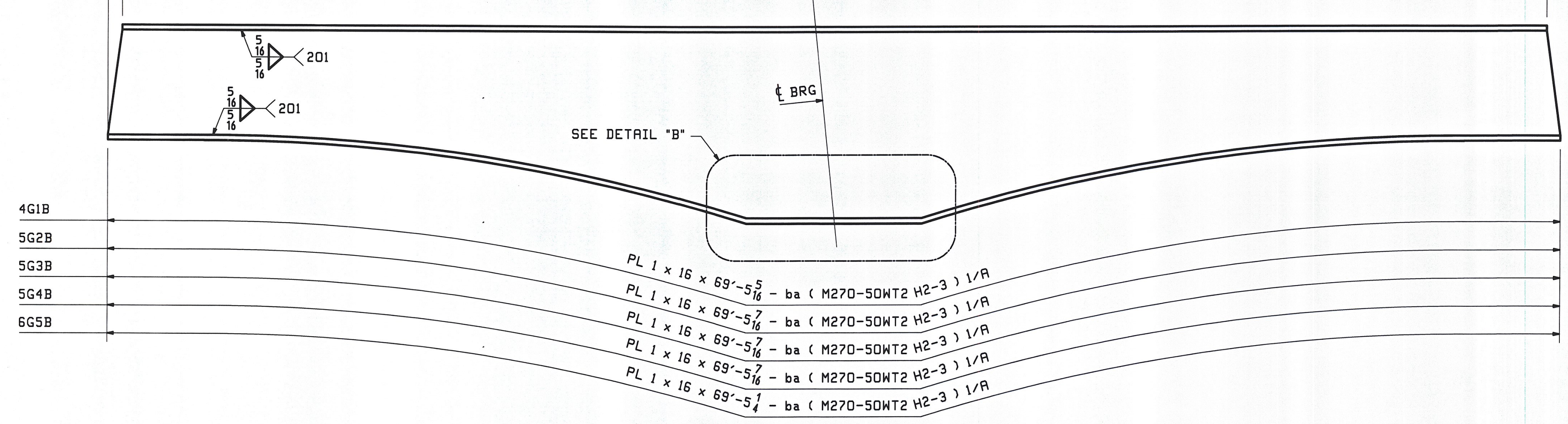


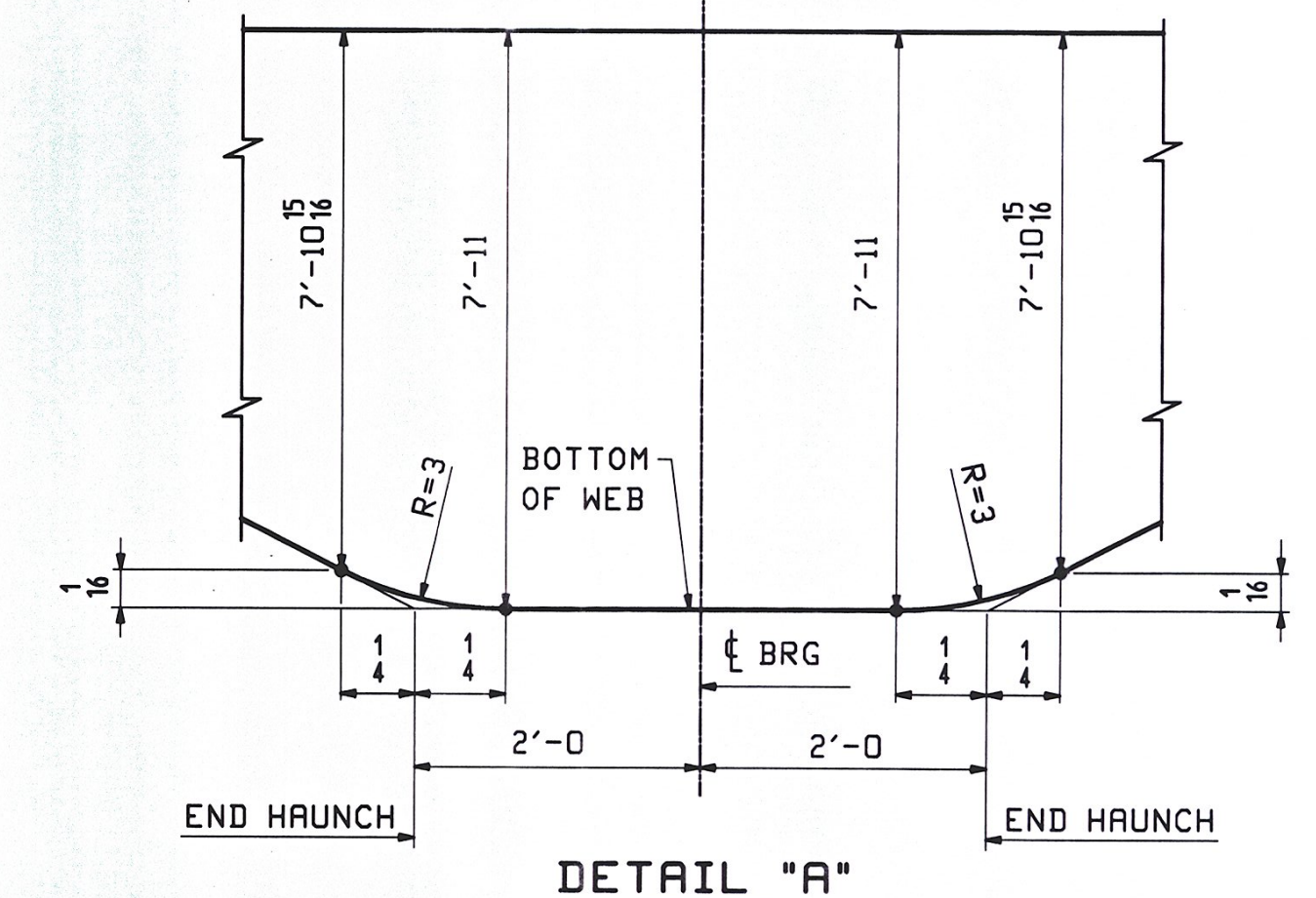
WEB CUTTING DIAGRAM FOR 4G1B, 5G2B, 5G3B, 5G4B & 6G5B

MARK	TL	BL	LE	WX1	TBL	BBL	BBR
4G1B	68'-11 1/2	69'-0 3/8	7/16	69'-0 3/8	34'-5 3/4	34'-7 1/16	34'-5 5/16
5G2B	68'-11 1/2	69'-0 7/16	1/2	69'-0 7/16	34'-5 3/4	34'-7 7/16	34'-5
5G3B	68'-11 1/2	69'-0 7/16	1/2	69'-0 7/16	34'-5 3/4	34'-7 7/16	34'-5
5G4B	68'-11 1/2	69'-0 7/16	1/2	69'-0 7/16	34'-5 3/4	34'-7 7/16	34'-5
6G5B	68'-11 9/16	69'-0 7/16	7/16	69'-0 7/16	34'-5 13/16	34'-7 3/4	34'-4 11/16

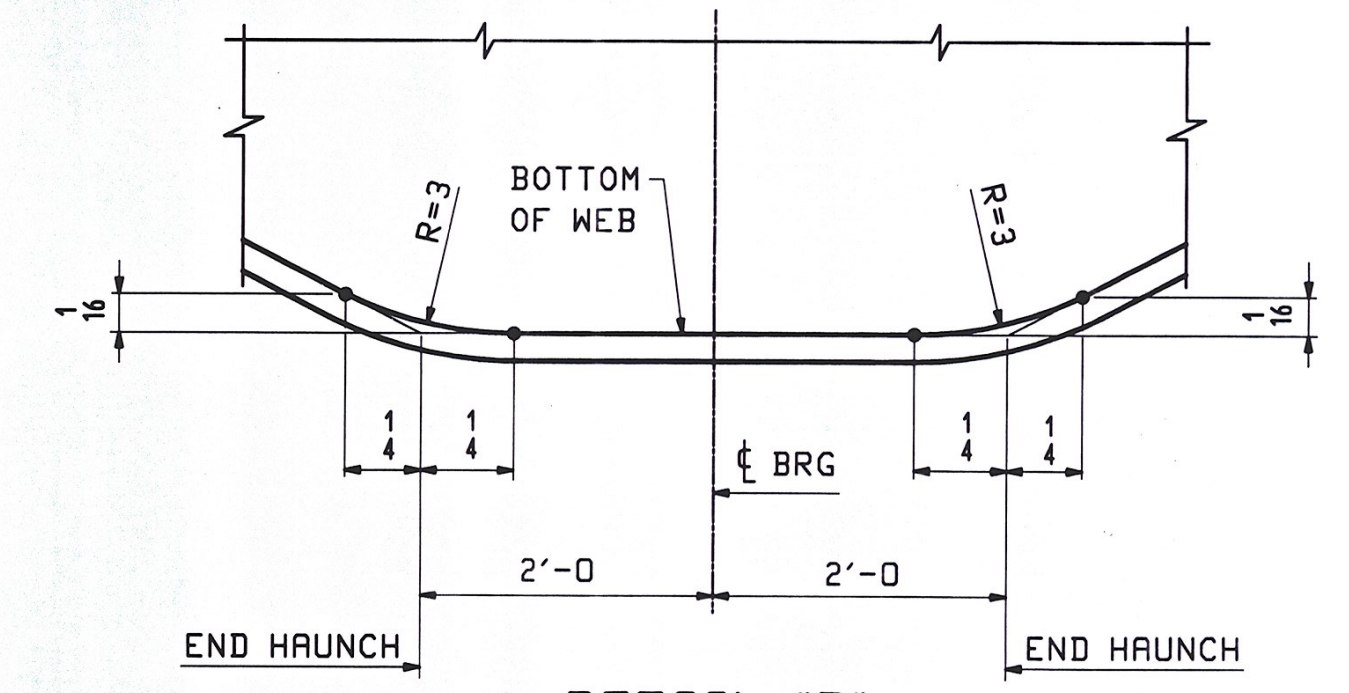
4G1B	7/16	PL 1 x 16 x 68'-11 1/2 - ta (M270-50WT2 H2-3) 1/C
5G2B	1/2	PL 1 x 16 x 68'-11 1/2 - ta (M270-50WT2 H2-3) 1/C
5G3B	1/2	PL 1 x 16 x 68'-11 1/2 - ta (M270-50WT2 H2-3) 1/C
5G4B	1/2	PL 1 x 16 x 68'-11 1/2 - ta (M270-50WT2 H2-3) 1/C
6G5B	7/16	PL 1 x 16 x 68'-11 9/16 - ta (M270-50WT2 H2-3) 1/C



FLANGE DIAGRAM FOR 4G1B, 5G2B, 5G3B, 5G4B & 6G5B



DETAIL "A"



DETAIL "B"

- NOTES:
- FOR GENERAL SHOP NOTES SEE DRAWING GNI
 - H2-3 INDICATES PLATES THAT REQUIRE CHARPY V-NOTCH TEST AT H FREQUENCY FOR ZONE 2
 - ALL MATERIALS AASHTO M270-GR50W

REV.	DATE	REMARKS	DWN	CHK	APVL	SHOP
0						
MATERIAL: M270-50W						DATE: NOV 02 2009
SURFACE PREP. & PAINT: SEE GNI						AU 27 2009
HOLES: AS NOTED						
SHOP BOLTS: AS NOTED						
DESCRIPTION: CAMBER & FLANGE DIAGRAMS						
CASCO BAY STEEL STRUCTURES, INC.						
75 SPRING HILL ROAD SACO, MAINE 04072						
PHONE (207) 282-7360 FAX. (207) 282-1179						
STRUCTURE: US RTE 2 OVER WINOOSKI RIVER			DRAWN: CRK		DATE: 08/05	
WASHINGTON COUNTY, VT			CHKD: RLA		DATE: 08/10	
LOCATION: TOWNS OF MORETOWN ~ MIDDLESEX, VT					JOB NO. DWG NO.	
PROJ NO. BRS D284(14)					421-1	
CUSTOMER: WINTERSET INC.					REV. A	

RECEIVED
 555 OKBY Mjm
 NOV 9 2009
 11/5/09