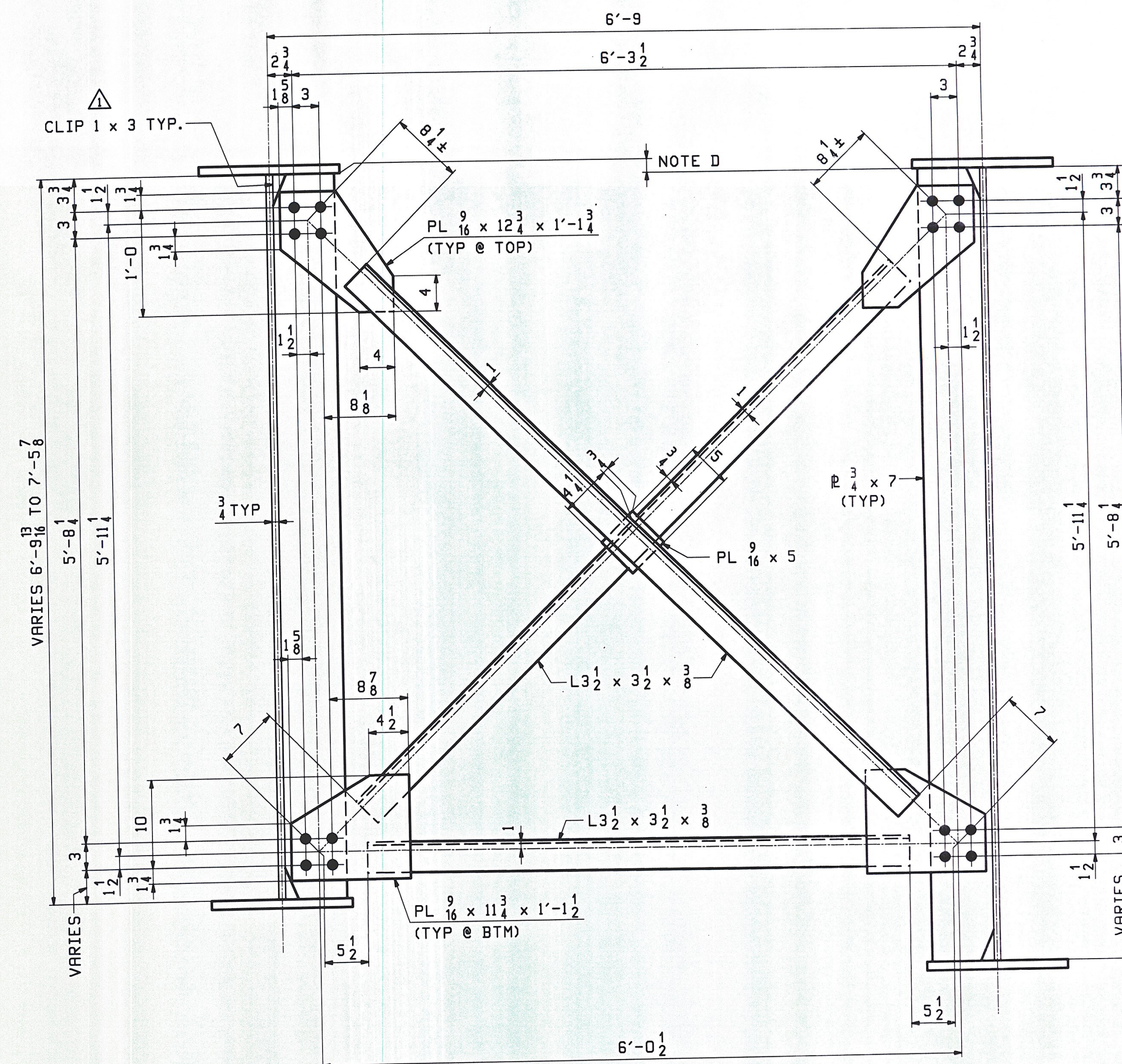


TYPE "CF2" INT CROSSFRAME @ DEPTH RANGE OF 6'-3 TO 6'-9¹³/₁₆
(LOOKING UP STATION)



TYPE "CF3" INT CROSSFRAME @ DEPTH RANGE OF 6'-9¹³/₁₆ TO 7'-5⁷/₈
(LOOKING UP STATION)

NOTE D:
DROP VARIES IN MAGNITUDE AND DIRECTION.
SEE "M5" SHEETS.

NOTES:
MATERIAL: AASHTO M270-50W
BOLTS: 7/8" HSB - A325
HOLES: 15/16"

**** NOTE ****
THE PURPOSE OF THIS DRAWING IS TO COORDINATE GEOMETRIC CONTROL INFORMATION AND CONNECTION SPACING. THIS DWG IS SUBMITTED FOR INFORMATION ONLY & IS NOT INTENDED FOR SHOP FABRICATION. DETAIL DWGS WILL SHOW ALL WELDING AND DIMENSIONS REQ'D FOR FABRICATION.

SCALE 1.25" = 1.0'

RECEIVED
CHKD BY: sss
NOV 9 5 2009
11/5/09

10/19	REVISED PER APPROVAL	WJF	PCP	08/2/2009	
0				06/07/2009	
REV. DATE	REMARKS	DWN	CHK	APVL	SHOP
MATERIAL:	SURFACE PREP. & PAINT:	HOLES:	SHOP BOLTS:		
M270-50W		AS NOTED	AS NOTED		
DESCRIPTION: CROSSFRAME LAYOUTS					
CASCO BAY STEEL STRUCTURES, INC.					
75 SPRING HILL ROAD SACO, MAINE 04072					
PHONE (207) 282-7360 FAX. (207) 282-1179					
STRUCTURE: US RTE 2 OVER WINOOSKI RIVER WASHINGTON COUNTY, VT				DRAWN:	DATE:
				WJF	08/11
				CHKD:	DATE:
				RLA	08/11
LOCATION: TOWNS OF MORETOWN ~ MIDDLESEX, VT				JOB NO.	DWG NO.
PROJ NO. BRS 0284(14)				421-1	TD2
CUSTOMER: WINTERSSET INC.				REV.	△