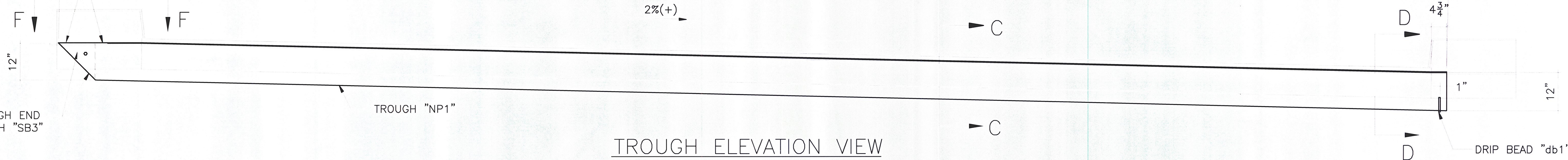


SHOP TRIM  
AS REQ'D

36'-4"

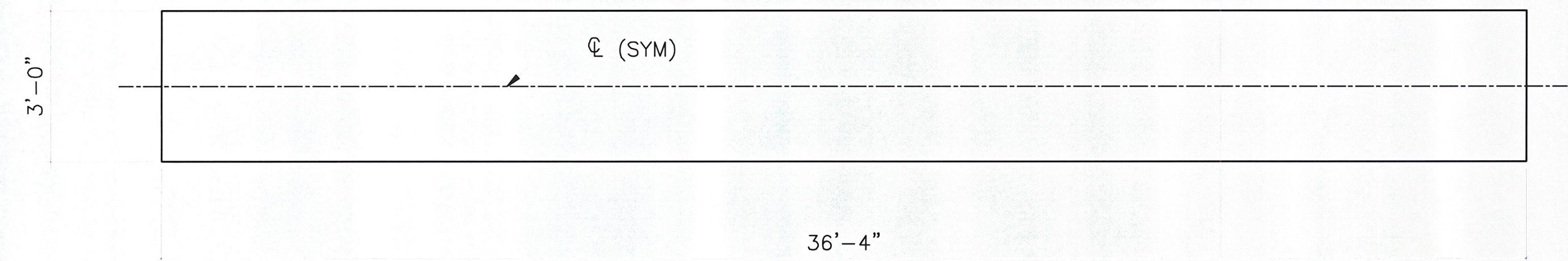


FOLD TROUGH END  
& BOLT WITH "SB3"

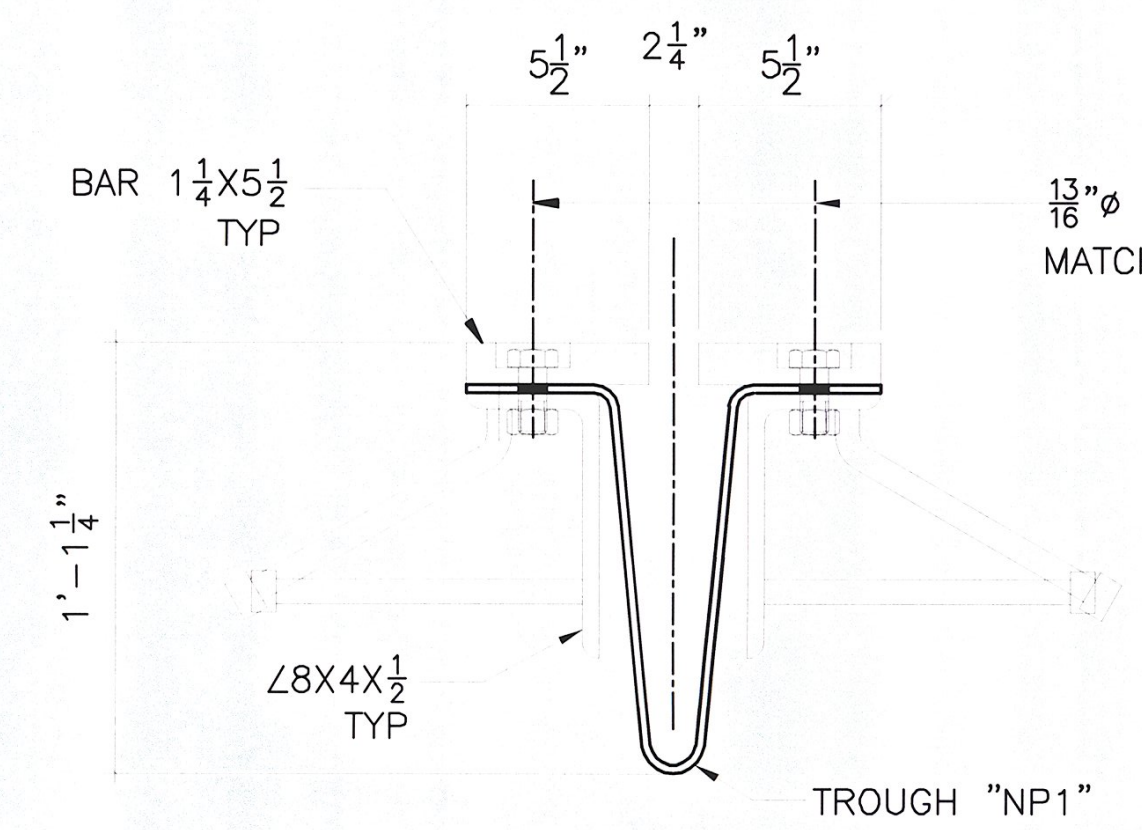
TROUGH "NP1"

TROUGH ELEVATION VIEW

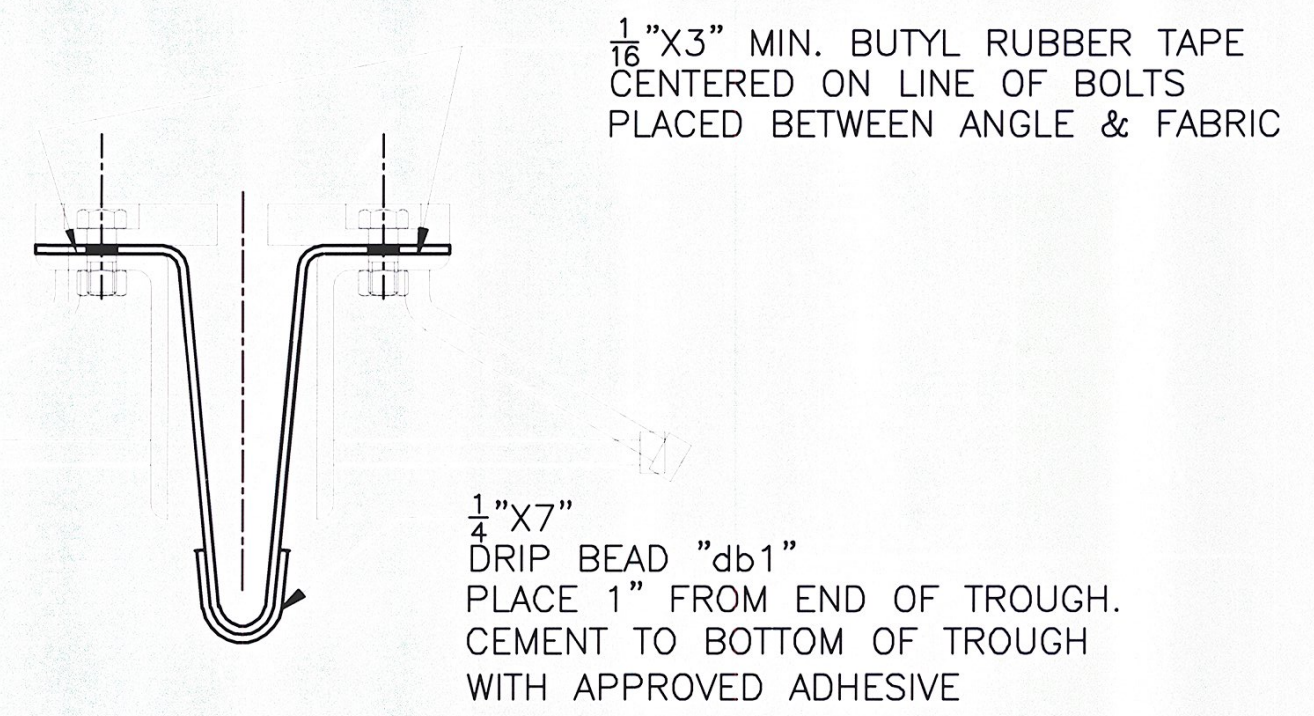
DRIP BEAD "db1"



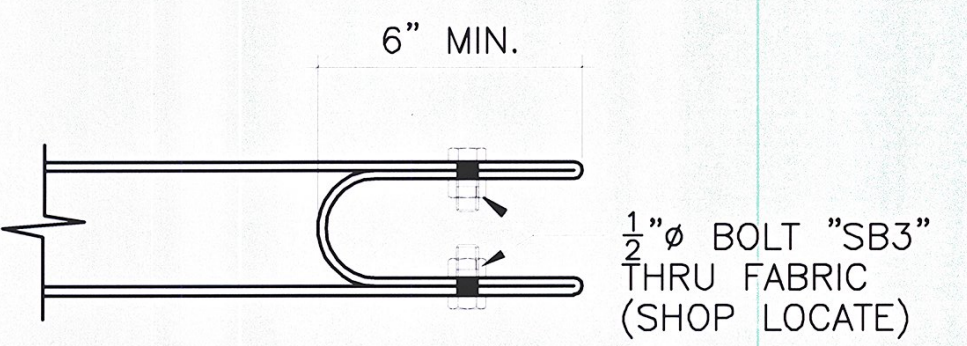
ONE REQ'D, TROUGH MARK "NP1"  
5/32" THK. PREFORMED FABRIC TROUGH (3 PLY)



SECTION C-C



SECTION D-D



SECTION F-F

SEE DWG. 7 FOR B.O.M.

1/8"X3" MIN. BUTYL RUBBER TAPE  
CENTERED ON LINE OF BOLTS  
PLACED BETWEEN ANGLE & FABRIC

1/2"X7"  
DRIP BEAD "db1"  
PLACE 1" FROM END OF TROUGH.  
CEMENT TO BOTTOM OF TROUGH  
WITH APPROVED ADHESIVE

1/2" Ø BOLT "SB3"  
THRU FABRIC  
(SHOP LOCATE)

| ERECTION BOLTS W/H.H.N. |      |                       |      | WASHERS |      | FINISH      |             |
|-------------------------|------|-----------------------|------|---------|------|-------------|-------------|
| QUAN.                   | SIZE | LENGTH                | TYPE | FLAT    | BEV. | BALV.       | AASHTO M232 |
|                         |      |                       |      |         |      |             |             |
| FINISH                  |      | HOT DIPPED GALVANIZED |      |         |      |             |             |
| MATERIAL                |      | AASHTO M270 GR. 36    |      |         |      |             |             |
| HOLES                   |      | AS NOTED              |      |         |      |             |             |
| ELECTRODES              |      | PER W.P.S.            |      |         |      |             |             |
| WELDS                   |      | AS NOTED              |      |         |      |             |             |
| SURFACE PREP            |      | SSPC-SP8              |      |         |      |             |             |
|                         |      |                       |      | NO      | DATE | DESCRIPTION | BY          |

RECEIVED  
OK'D BY *SSS* DATE BY *MEM*  
JAN 20 2010  
RESUBMIT APPROVED *✓*  
DATE *2/5/2010*

**ARC**  
ADVANCED RESOURCES & CONST.  
ENTERPRISES, INCORPORATED  
P.O. BOX 120 KINGFIELD, ME, 04847  
PHONE: (207) 265-2646 - FAX: (207) 265-4054

| TROUGH DETAILS |         |                      | PROJECT NO.  |
|----------------|---------|----------------------|--------------|
| DRAFTER        | JAC     |                      | BRS 0284(14) |
| DATE           | 1/8/10  |                      |              |
| CHECKED        | MTD     |                      | DWG. NO.     |
| JOB            | #09-200 | G.C. WINTERSET, INC. | 8            |