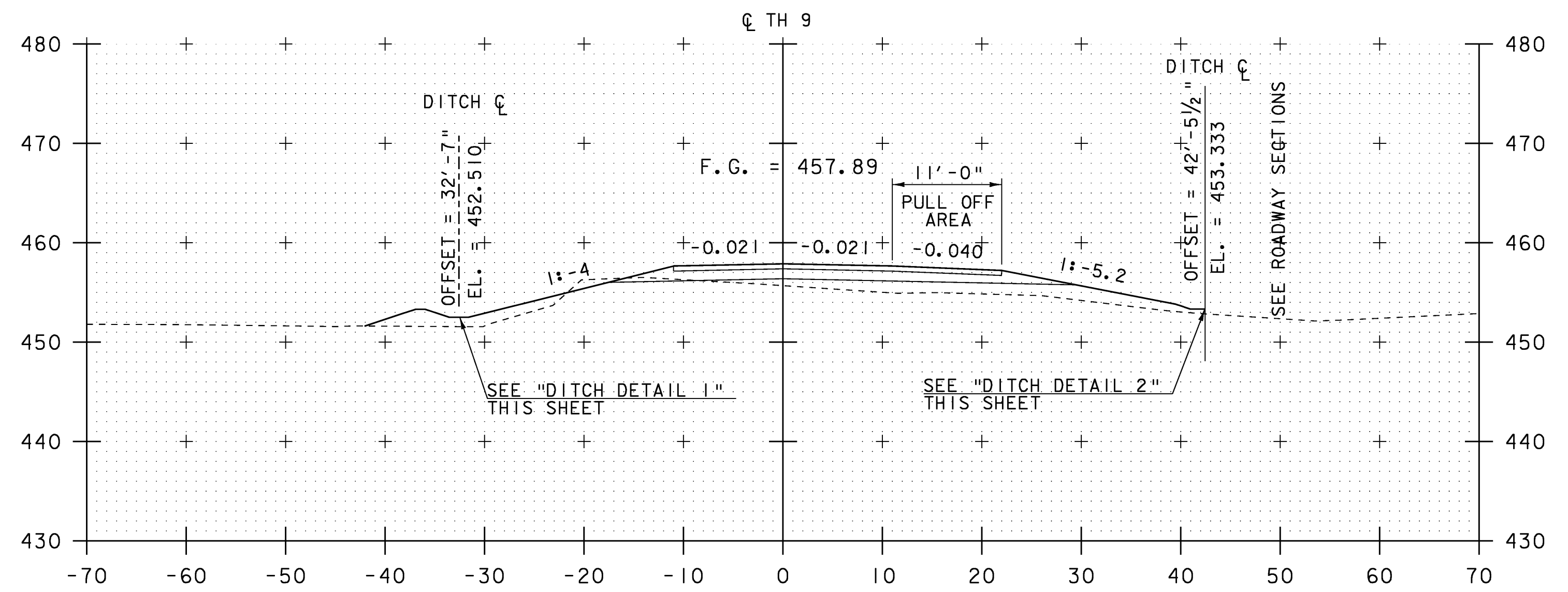
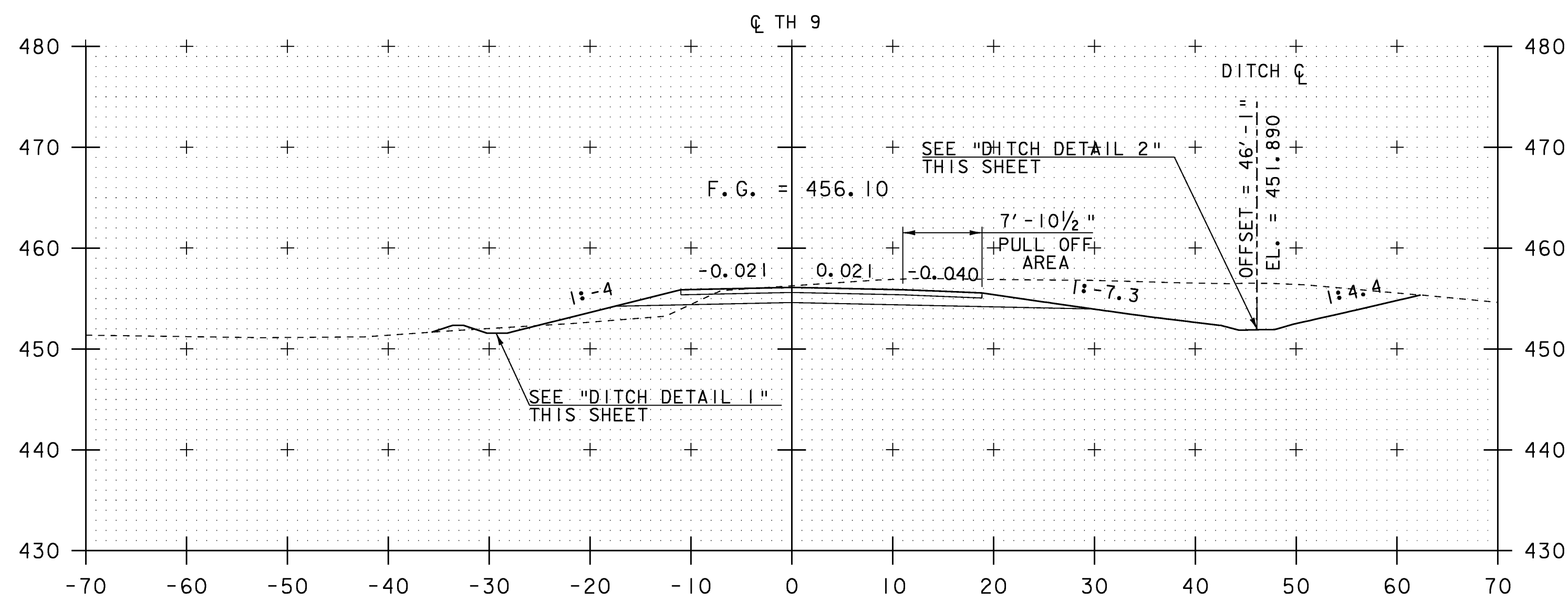


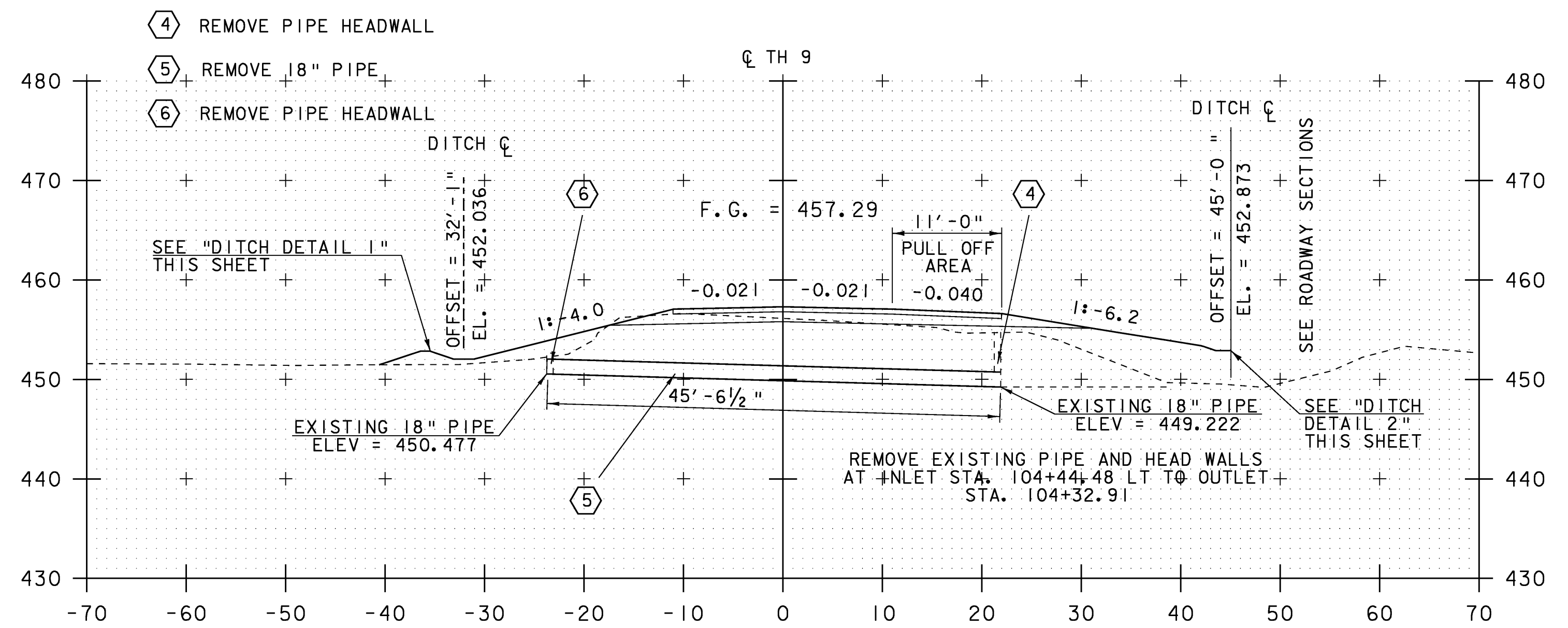
104+00



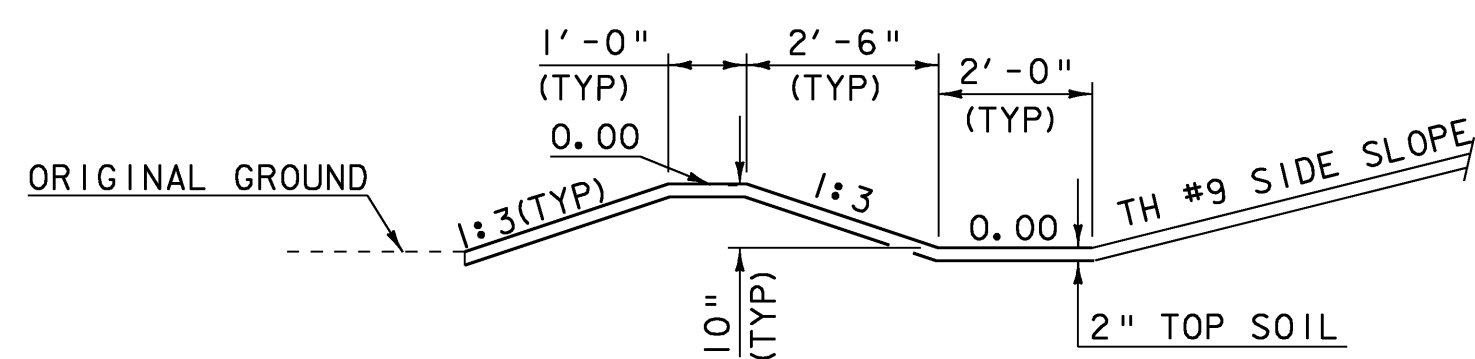
104+50



103+75

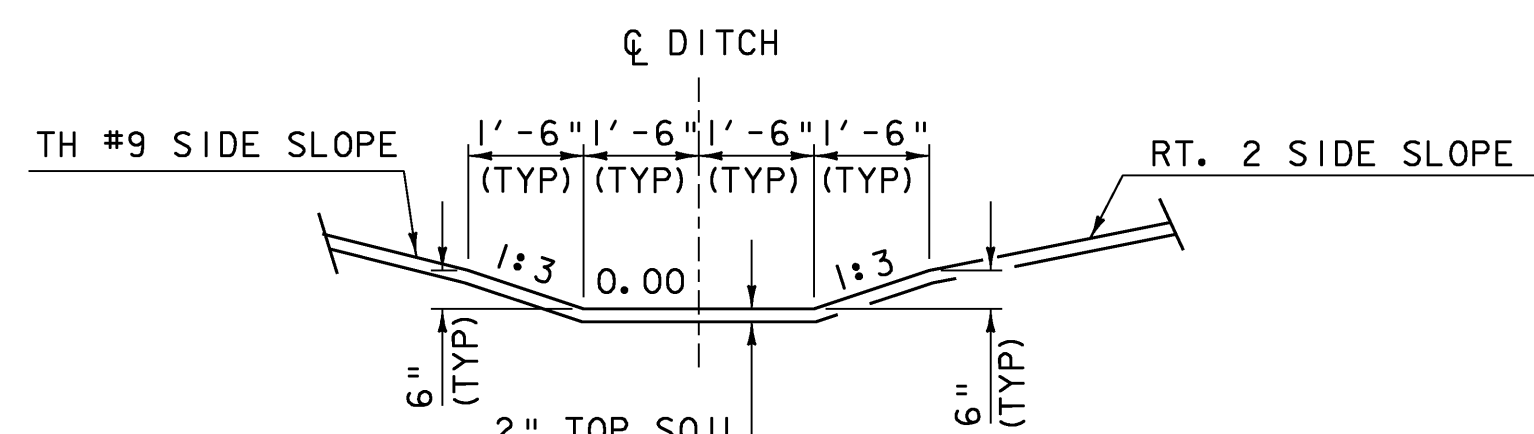


104+25



DITCH DETAIL 1
STA. 103+56.00 LT TO 106+21.03 LT

NTS



DITCH DETAIL 2
STA. 103+50.00 RT TO 105+65.31 RT

NTS

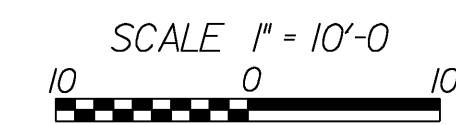
NOTE: DITCH OFFSET IS MEASURED FROM THE CENTERLINE OF TH 9 TO CENTER OF DITCH

TH 9 CROSS SECTION SHEET #2

PROJECT NAME: MORETOWN-MIDDLESEX
PROJECT NUMBER: BRS 0284(14)

FILE NAME: 78f219/str/s78f219xs3.dgn
PROJECT LEADER: M. Evans-Mongeon
DESIGNED BY: G. ROKES
IPARM: s78f219\1\1

PLOT DATE: 15-JUN-2009
DRAWN BY: G. ROKES
CHECKED BY: S. SCRIBNER
SHEET 100 OF 103



STA. 103+75 TO STA. 104+50