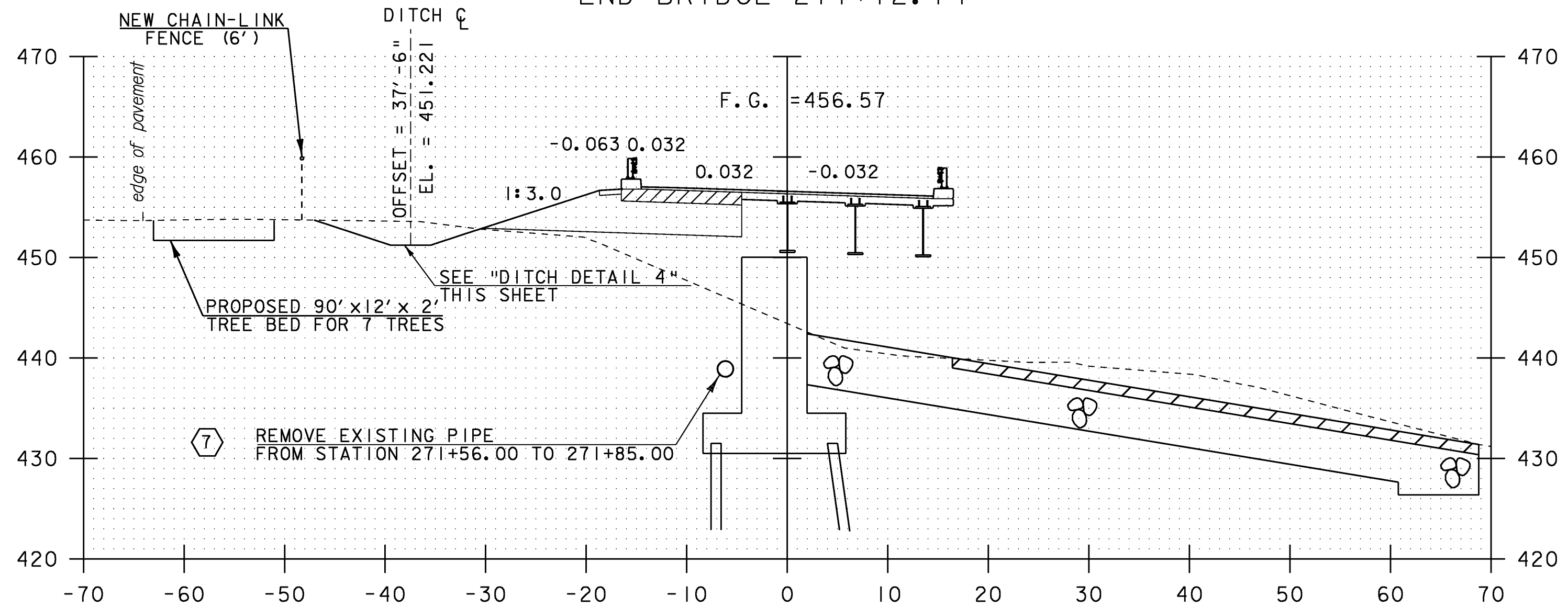
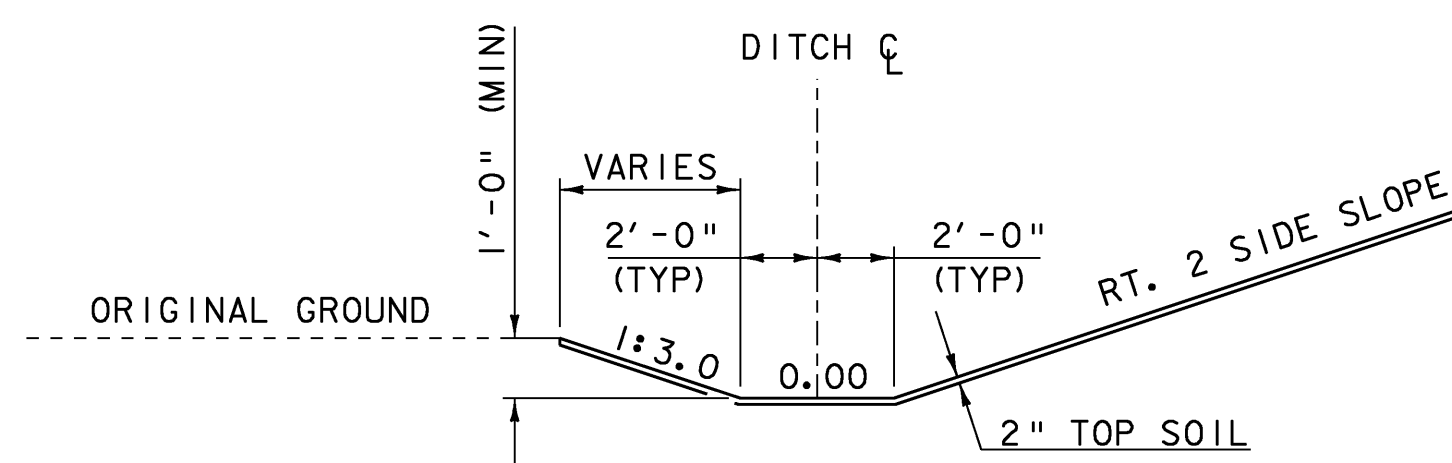


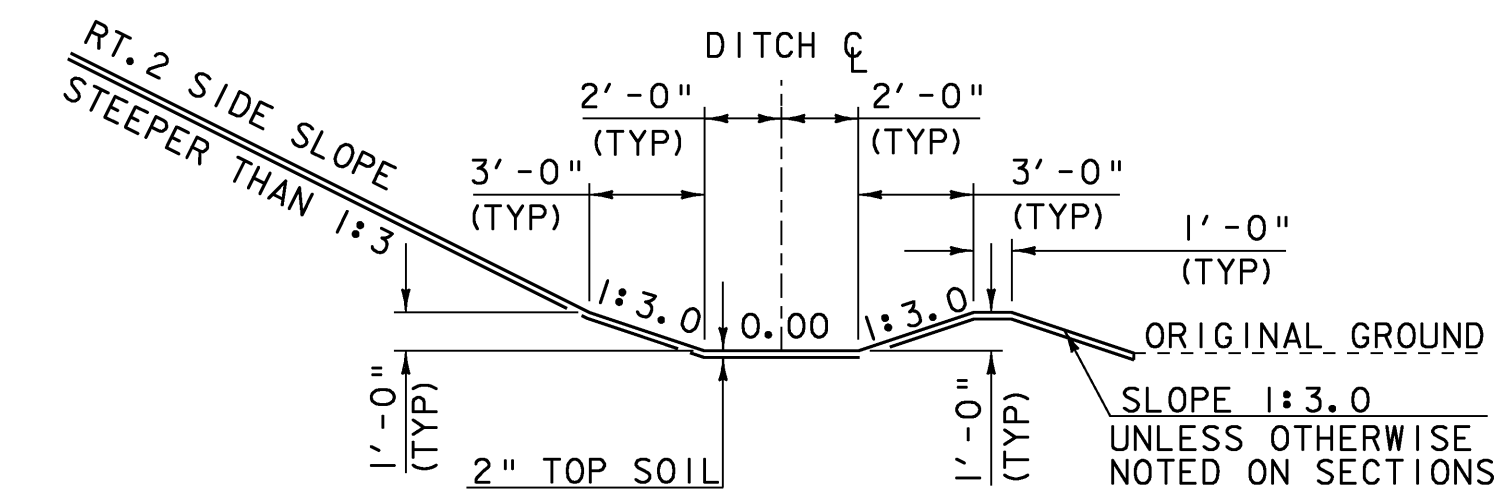
272+00
END BRIDGE 271+72.74



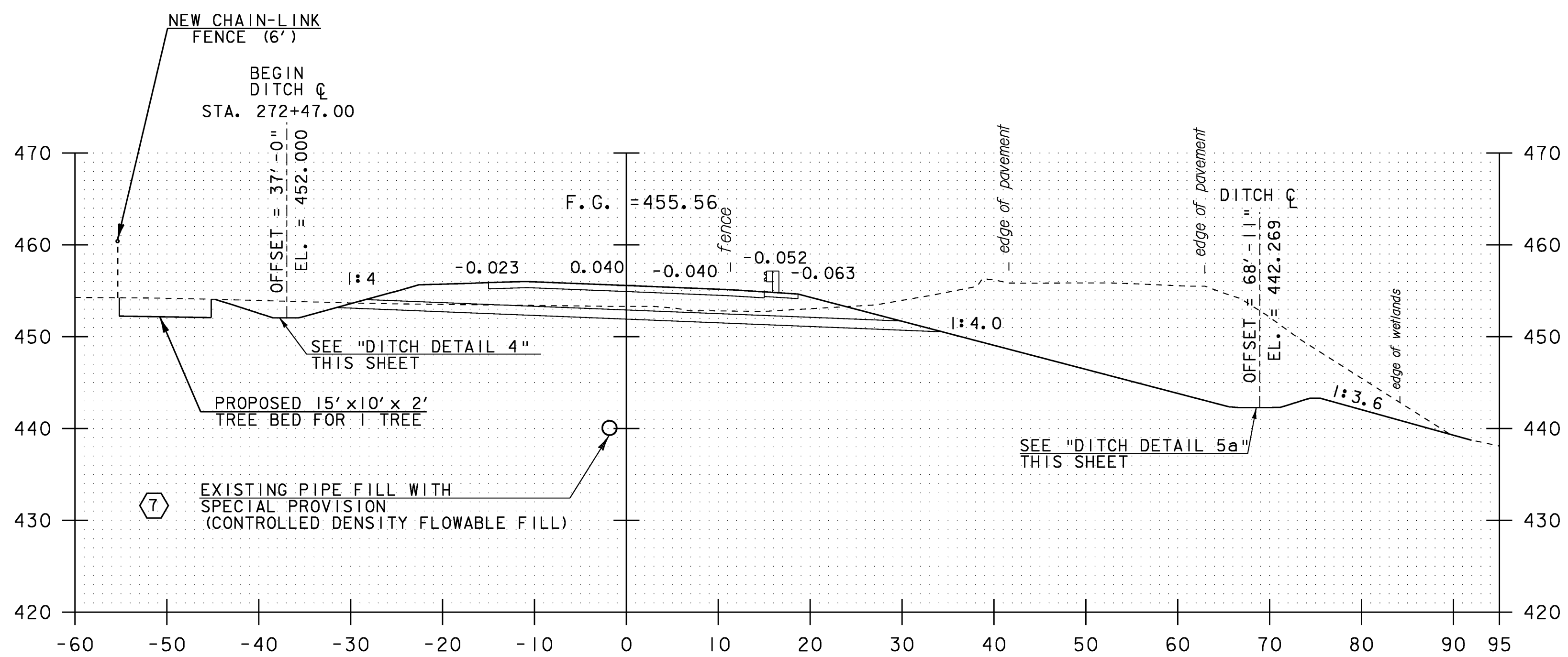
271+70



DITCH DETAIL 4
STA. 271+66.09 LT TO 272+47.00 LT



DITCH DETAIL 5a
STA. 271+80.00 RT TO 272+48.00 RT



272+50

NOTE: DITCH OFFSET IS MEASURED FROM THE ROADWAY CENTERLINE TO CENTER OF DITCH



STA. 271+70 TO STA. 272+50

ROADWAY CROSS SECTION SHEET #6

PROJECT NAME: MORETOWN-MIDDLESEX
PROJECT NUMBER: BRS 0284(I4)

FILE NAME: 78f219/str/s78f219xs3.dgn
PROJECT LEADER: M. Evans-Mongeon
DESIGNED BY: S. SCRIBNER
IPARM: s7f219xsl1

PLOT DATE: 15-JUN-2009
DRAWN BY: L. DUQUETTE
CHECKED BY: S. SCRIBNER
SHEET 87 OF 103