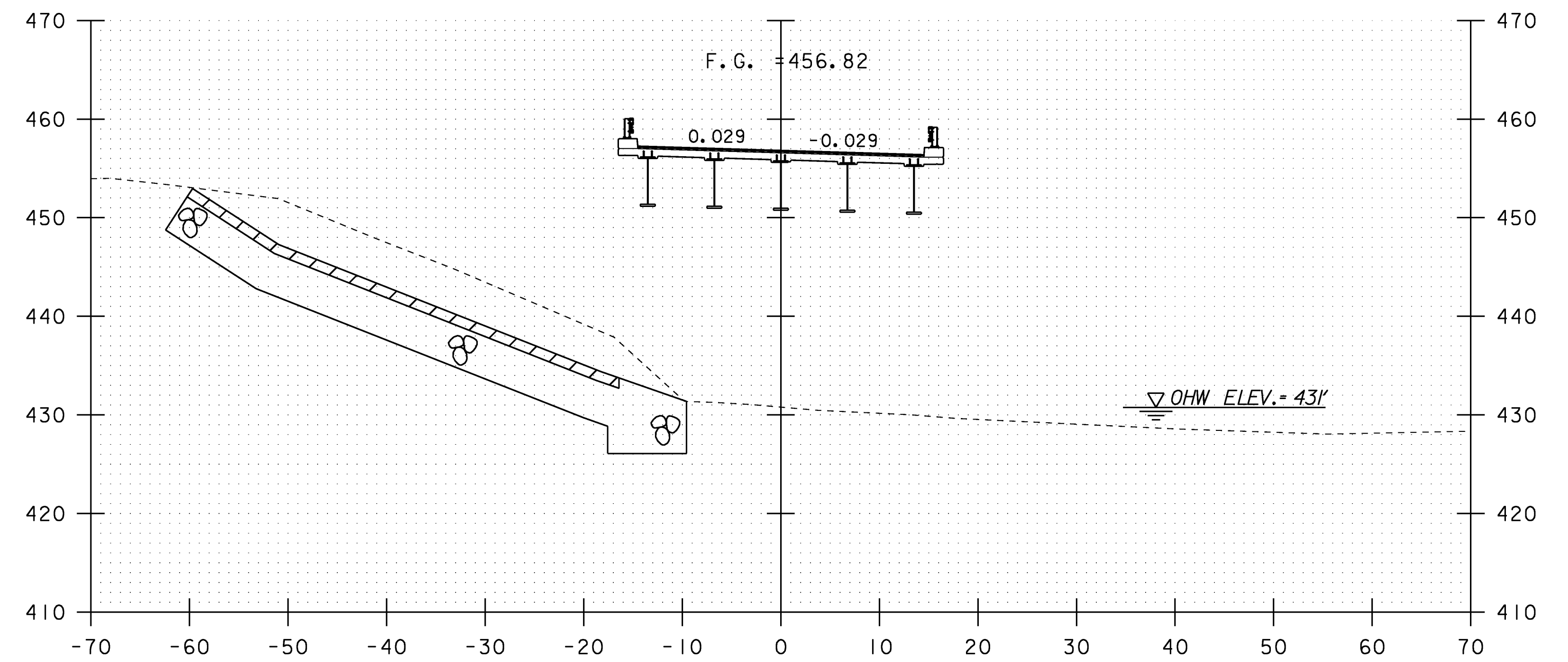
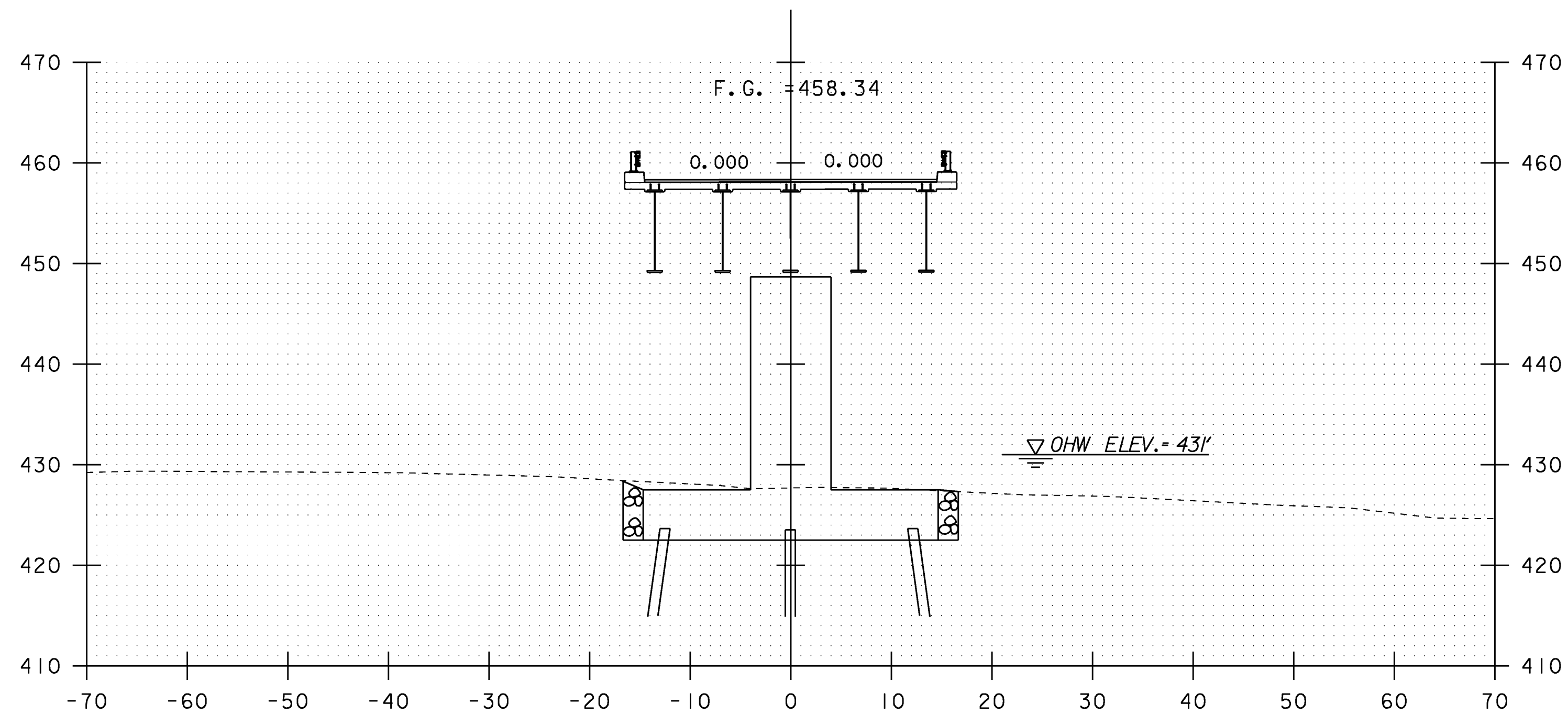


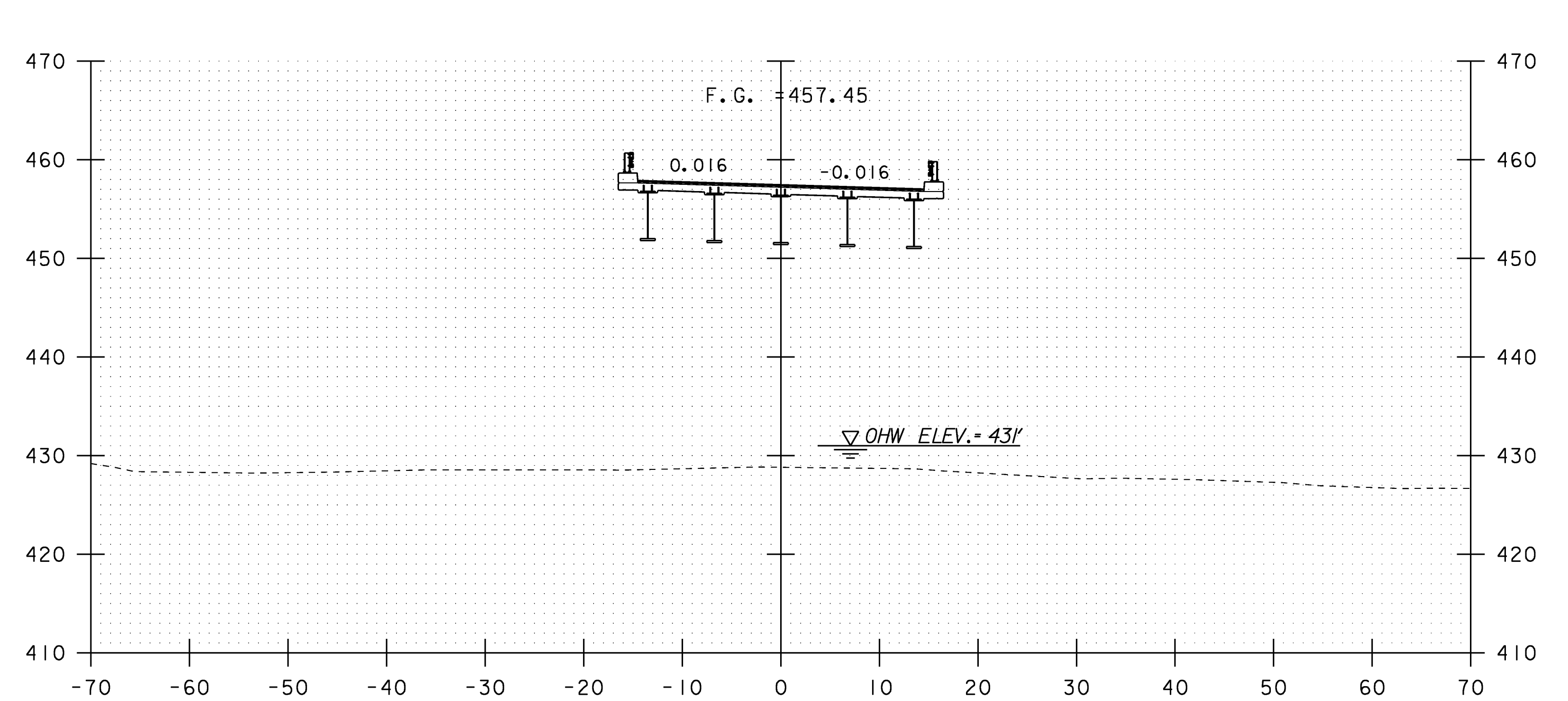
270+50



271+50



270+30



271+00

**ROADWAY CROSS SECTION SHEET #5**

PROJECT NAME: MORETOWN-MIDDLESEX

PROJECT NUMBER: BRS 0284(14)

FILE NAME: 78f219/str/s78f219xs3.dgn

PROJECT LEADER: M. Evans-Mongeon

DESIGNED BY: S. SCRIBNER

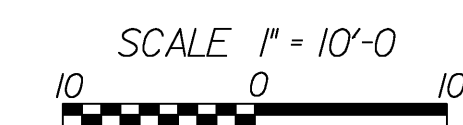
IPARM: s7f219xsl.l

PLOT DATE: 15-JUN-2009

DRAWN BY: L. DUQUETTE

CHECKED BY: S. SCRIBNER

SHEET 86 OF 103



STA. 270+30 TO STA. 271+50