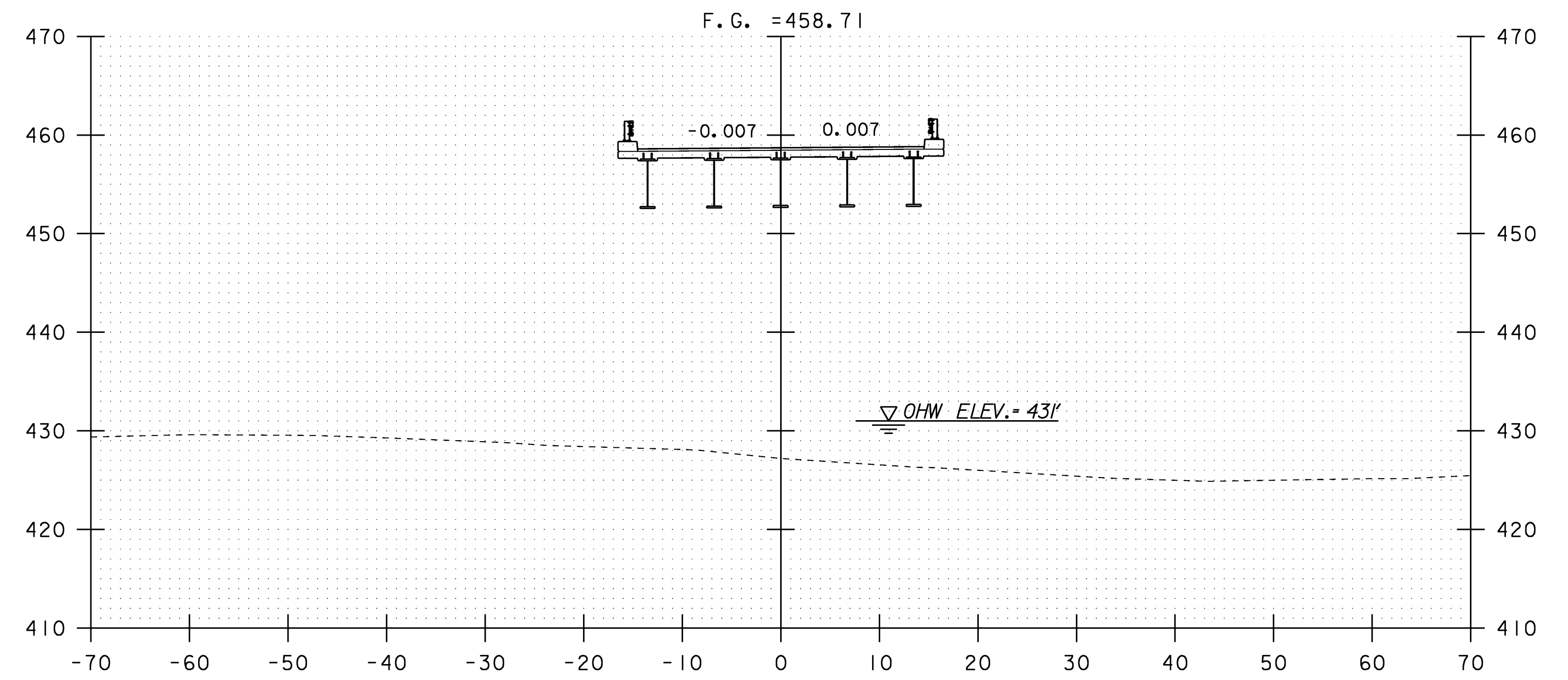
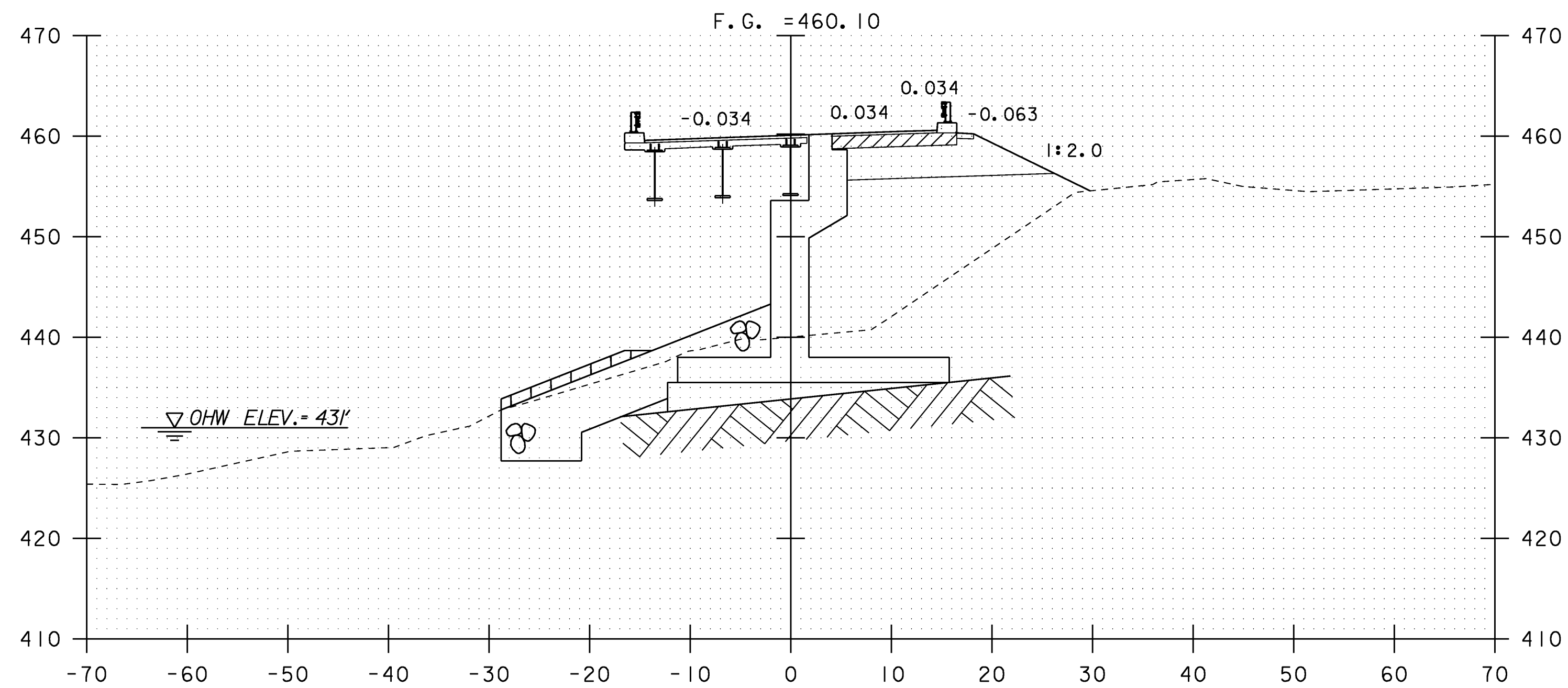


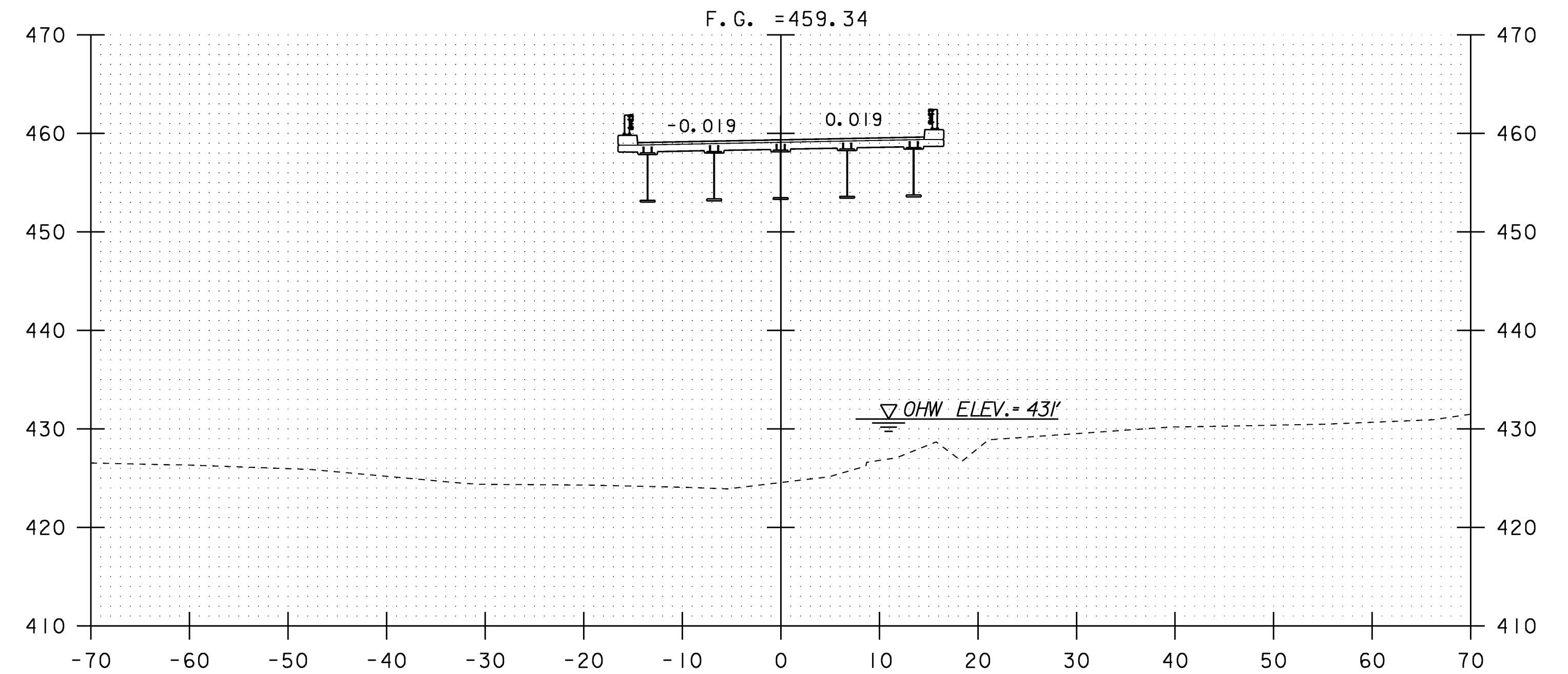
269+00



270+00



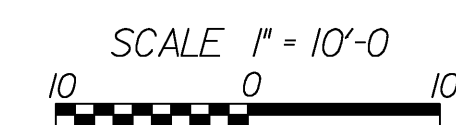
268+90
BEGIN BRIDGE 268+87.26



269+50

ROADWAY CROSS SECTION SHEET #4

PROJECT NAME: MORETOWN-MIDDLESEX	PLOT DATE: 15-JUN-2009
PROJECT NUMBER: BRS 0284(14)	DRAWN BY: L. DUQUETTE
FILE NAME: 78f219/str/s78f219xs3.dgn	CHECKED BY: S. SCRIBNER
PROJECT LEADER: M. Evans-Mongeon	SHEET 85 OF 103
DESIGNED BY: S. SCRIBNER	
IPARM: s7f219xsl.l	



STA. 268+90 TO STA. 270+00