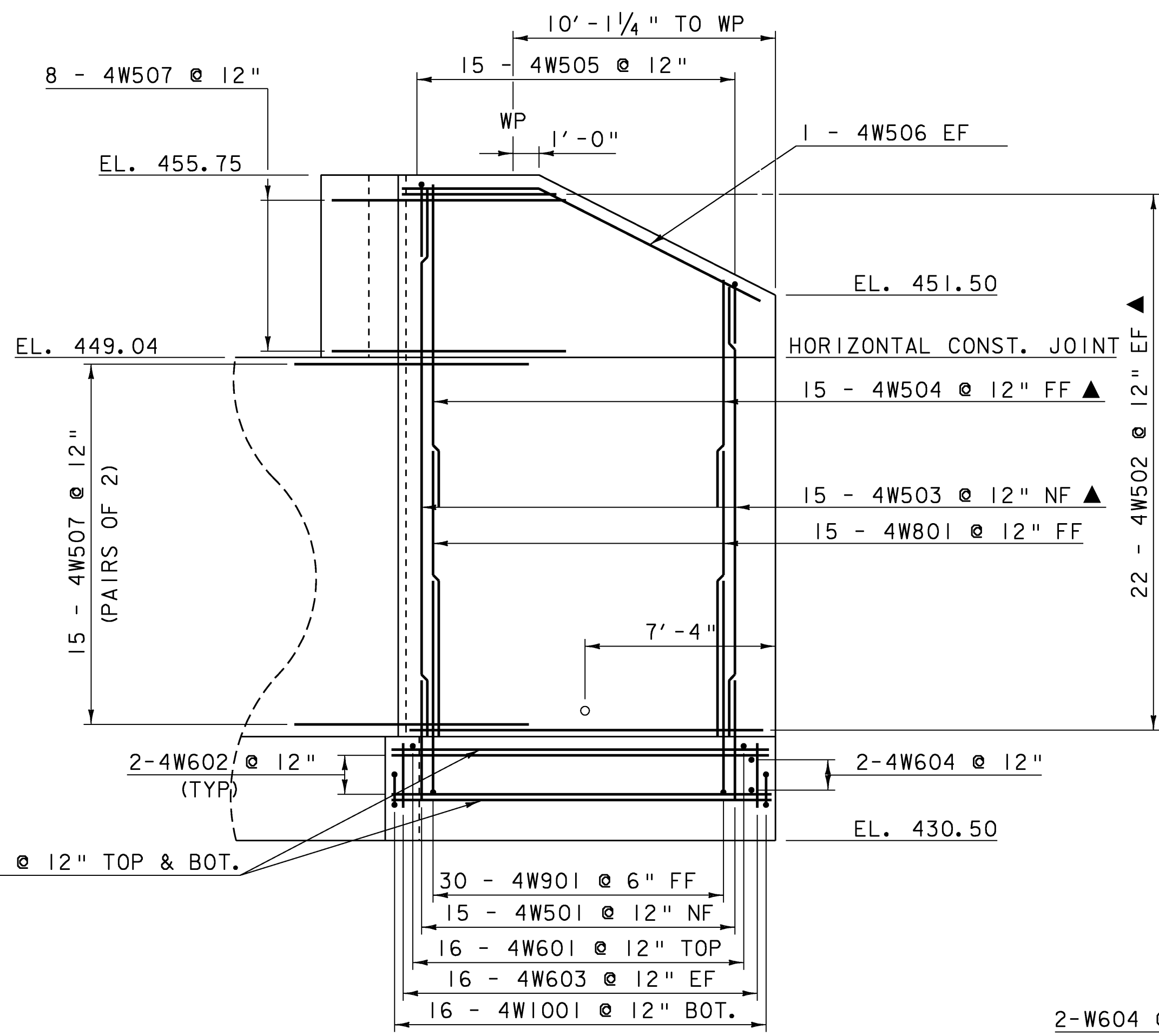


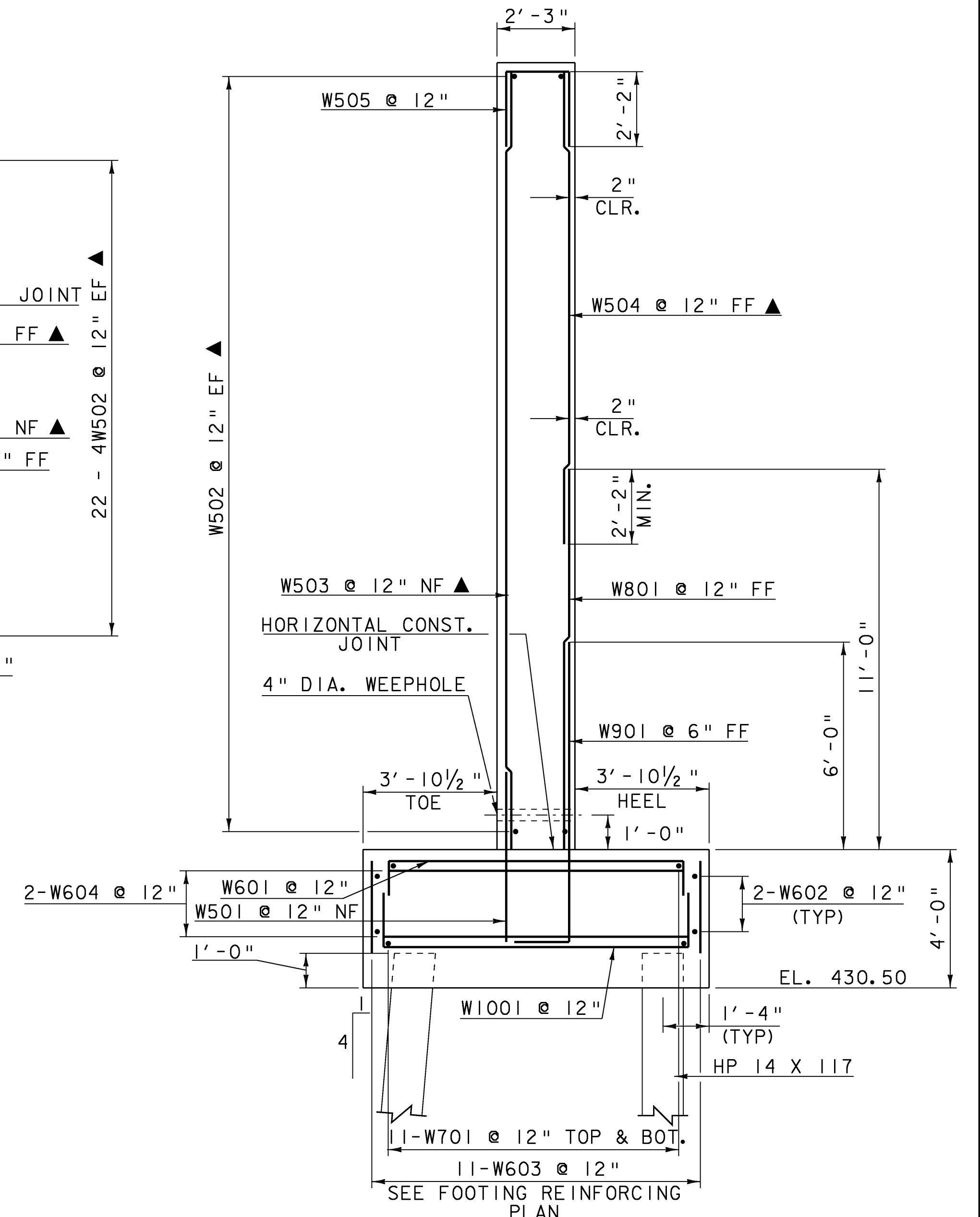
WINGWALL NO. 3 ELEVATION

SCALE 1/4" = 1'-0"
1 0 2 4 6



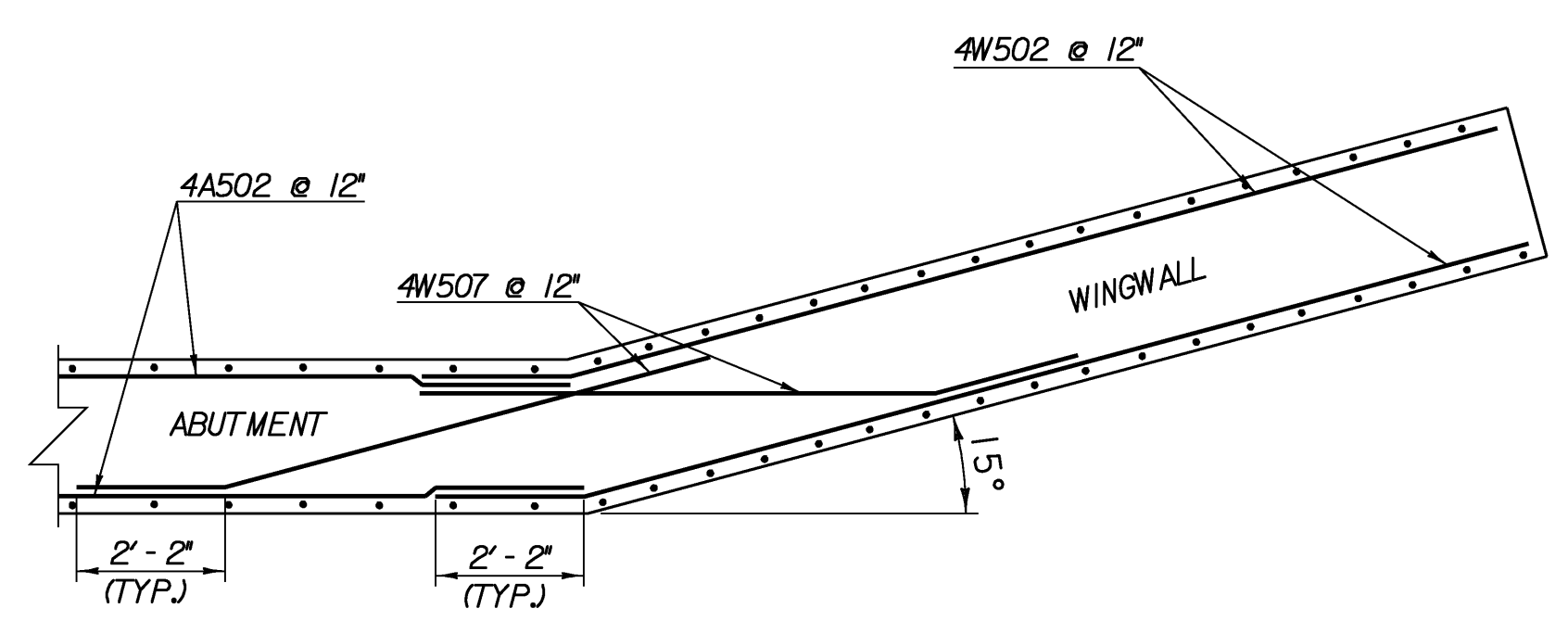
WINGWALL NO. 4 ELEVATION

SCALE 1/4" = 1'-0"
1 0 2 4 6

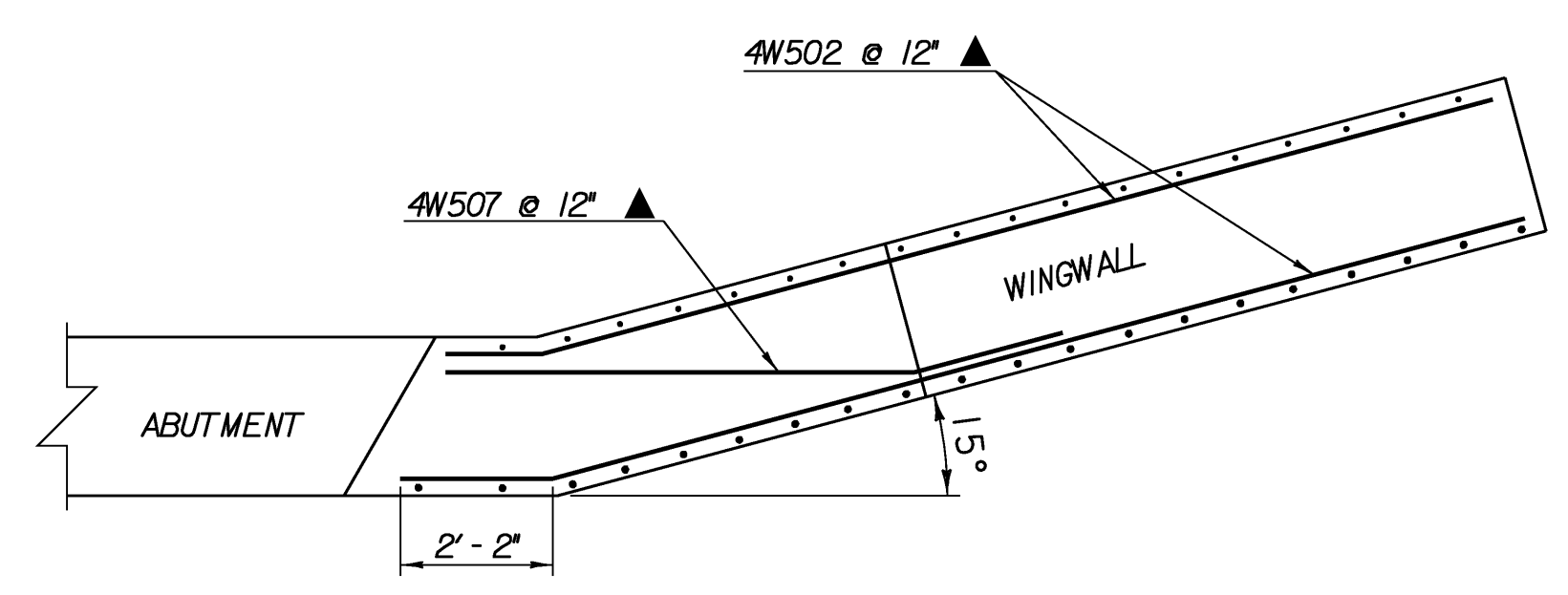


WINGWALL NO. 3 & 4 TYPICAL

SCALE 3/8" = 1'-0"
1 0 1 2 3 4



WINGWALL #4 CORNER DETAIL
(BELOW BRIDGE SEAT)
NTS



WINGWALL #4 CORNER DETAIL
(ABOVE BRIDGE SEAT)
NTS

NOTE:

- NF = NEAR FACE
- FF = FAR FACE
- EF = EACH FACE
- ▲ = CUT TO FIT IN FIELD
- 3" CLEAR, UNLESS OTHERWISE SPECIFIED ON THE PLANS.
- 2'-2" BAR LAP UNLESS OTHERWISE SPECIFIED ON THE PLANS.

WINGWALL #3 & #4 DETAILS

PROJECT NAME:	MORETOWN-MIDDLESEX
PROJECT NUMBER:	BRS 0284(14)
FILE NAME:	78f219/struc./sf219sub
PROJECT LEADER:	M. EVANS-MONGEON
DESIGNED BY:	S. SCRIBNER
PLOT DATE:	15-JUN-2009
DRAWN BY:	L. DUQUETTE
CHECKED BY:	J. LACROIX
SHEET	68 OF 103