

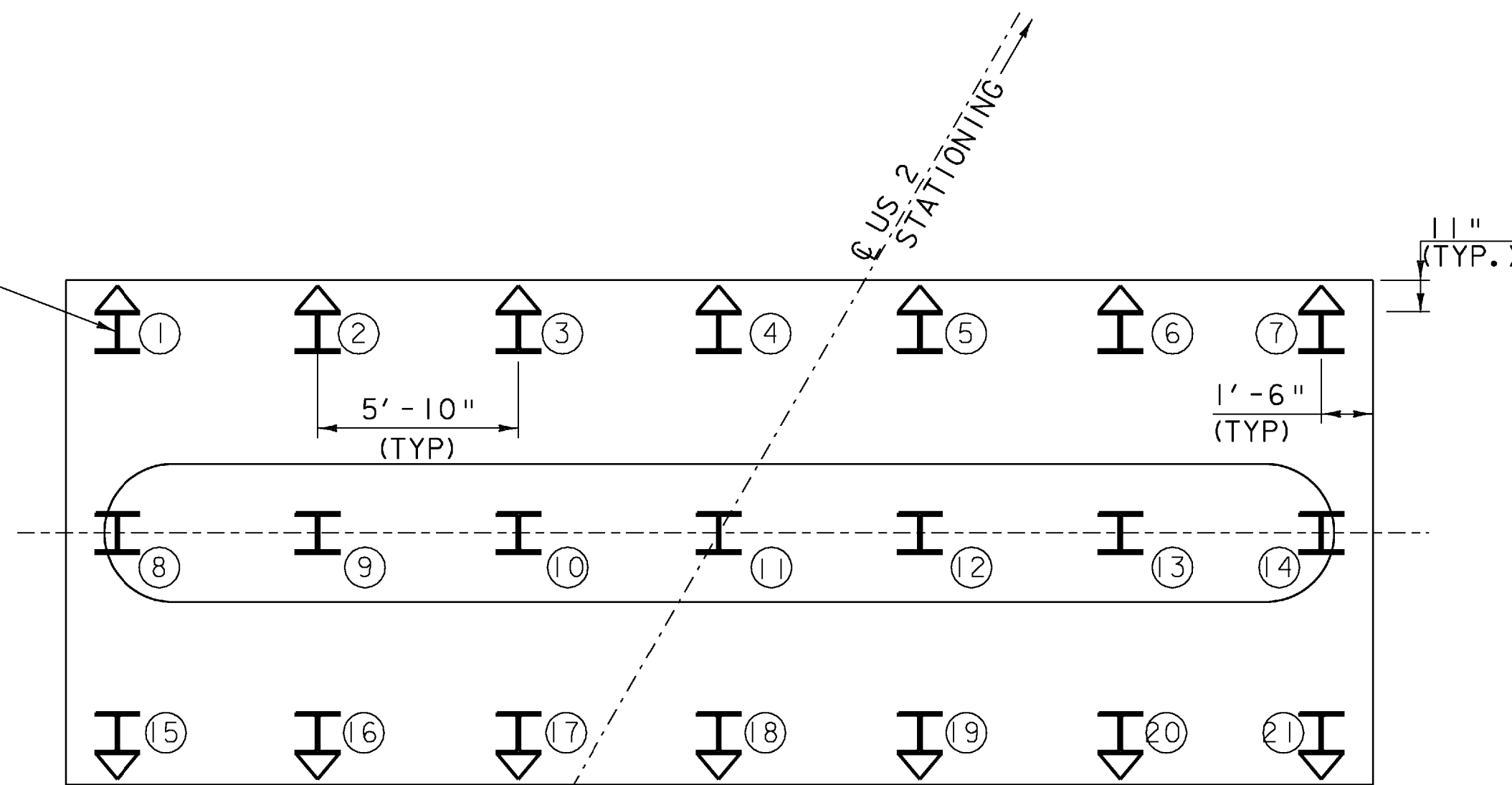
H-PILES	R SIZE
HP 12	6 1/2" X 6 1/2"
HP 14	7 1/2" X 7 1/2"

PREFABRICATED PILE SPLICE MAY BE USED WITH THE APPROVAL OF THE ENGINEER.

SPLICE PLATES TO BE THE SAME THICKNESS AS PILE WEB PLUS 1/16"

DETAIL OF PILE SPLICE

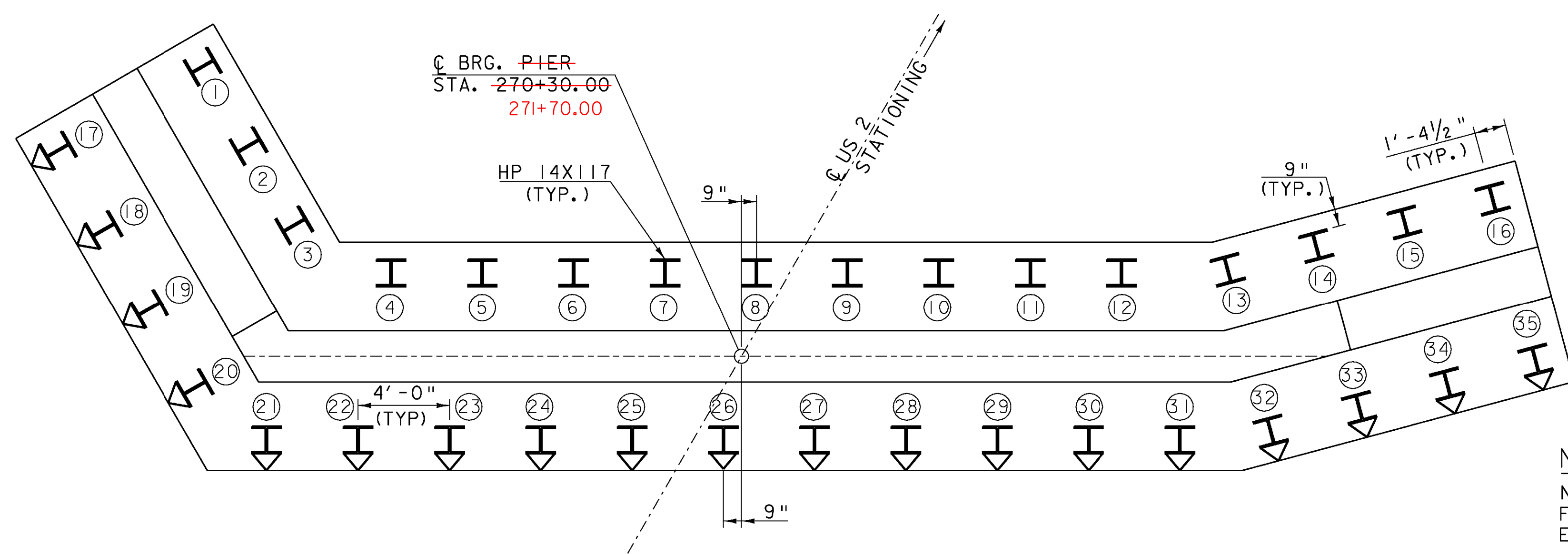
HP 14X117 (TYP.)



PIER PILE LAYOUT

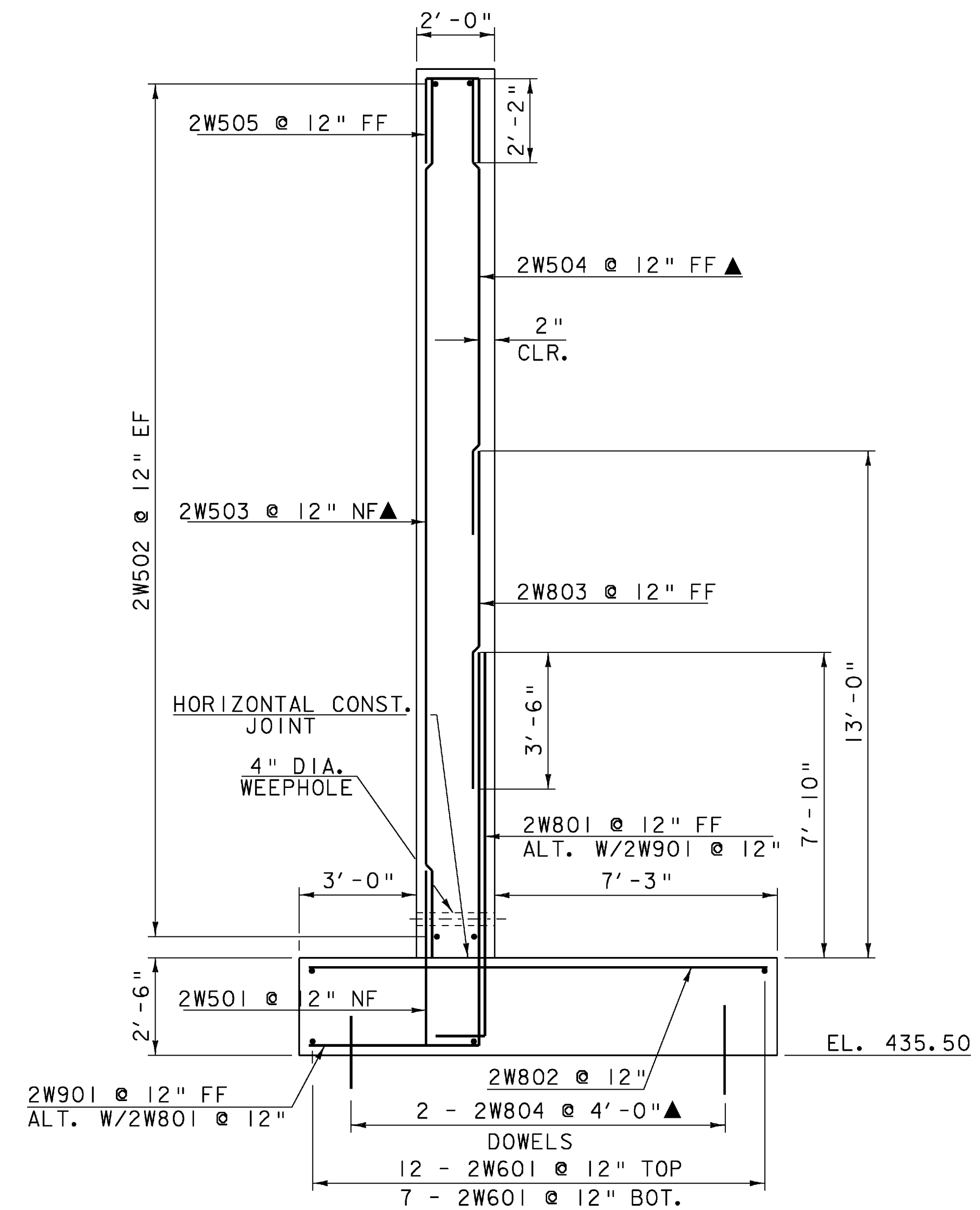
SCALE 1/4" = 1'-0"
0 2 4 6

- = BATTERED PILE
- = UNBATTERED PILE



ABUTMENT NO. 2 PILE LAYOUT

SCALE 1/4" = 1'-0"
0 2 4 6



WINGWALL NO. 2 TYPICAL

SCALE 3/8" = 1'-0"
0 1 2 3 4

NOTE:

- NF = NEAR FACE
- FF = FAR FACE
- EF = EACH FACE
- ▲ = CUT TO FIT IN FIELD
- 3" CLEAR, UNLESS OTHERWISE SPECIFIED ON THE PLANS.
- 2'-2" BAR LAP UNLESS OTHERWISE SPECIFIED ON THE PLANS.

PILE LAYOUT SHEET

PROJECT NAME: MORETOWN-MIDDLESEX
PROJECT NUMBER: BRS 0284(14)

FILE NAME: 78f219/struc./sf219sub PLOT DATE: 15-JUN-2009
PROJECT LEADER: M. EVANS-MONGEON DRAWN BY: L. DUQUETTE
DESIGNED BY: S. SCRIBNER CHECKED BY: J. LACROIX
SHEET 67 OF 103