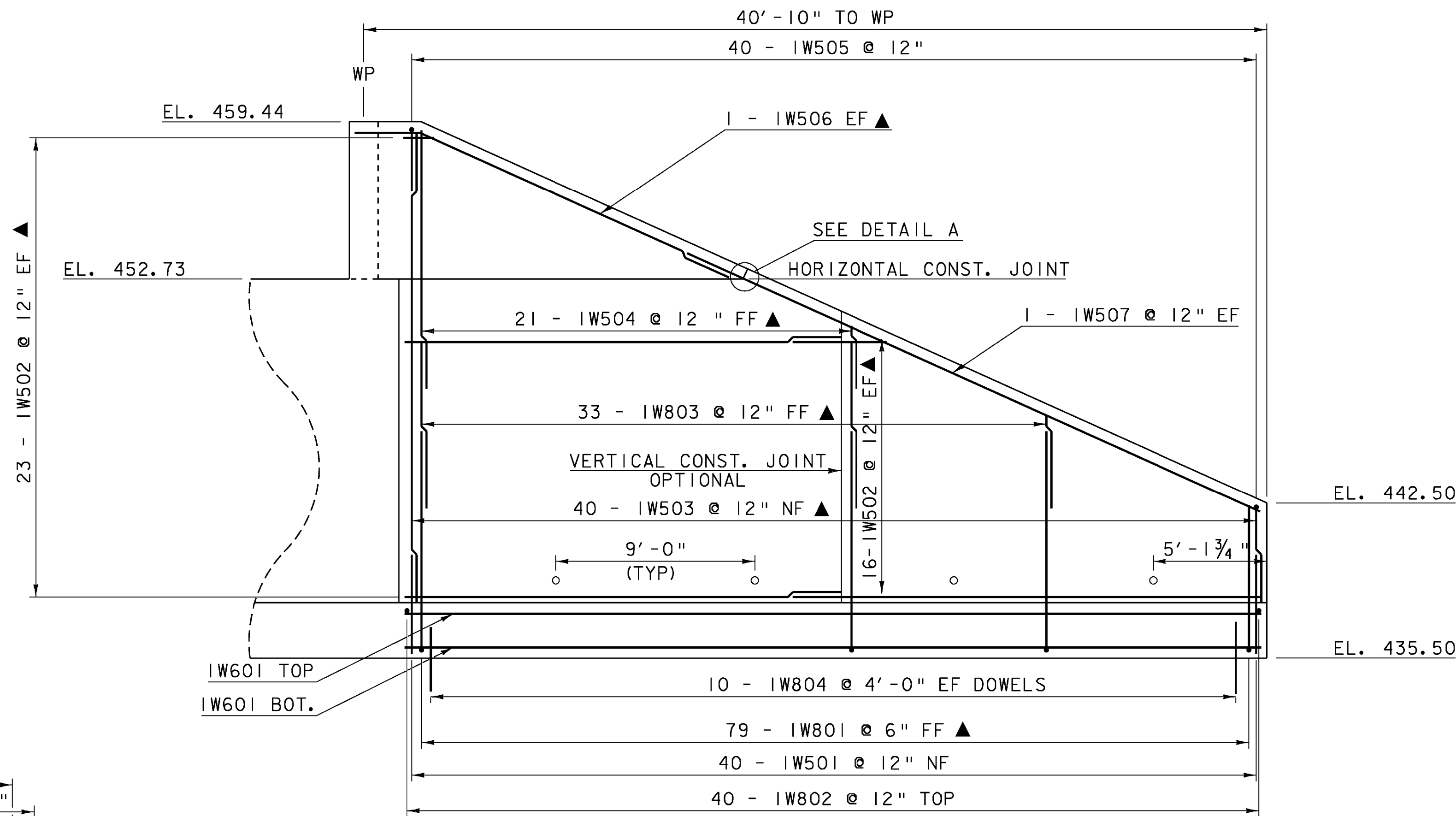
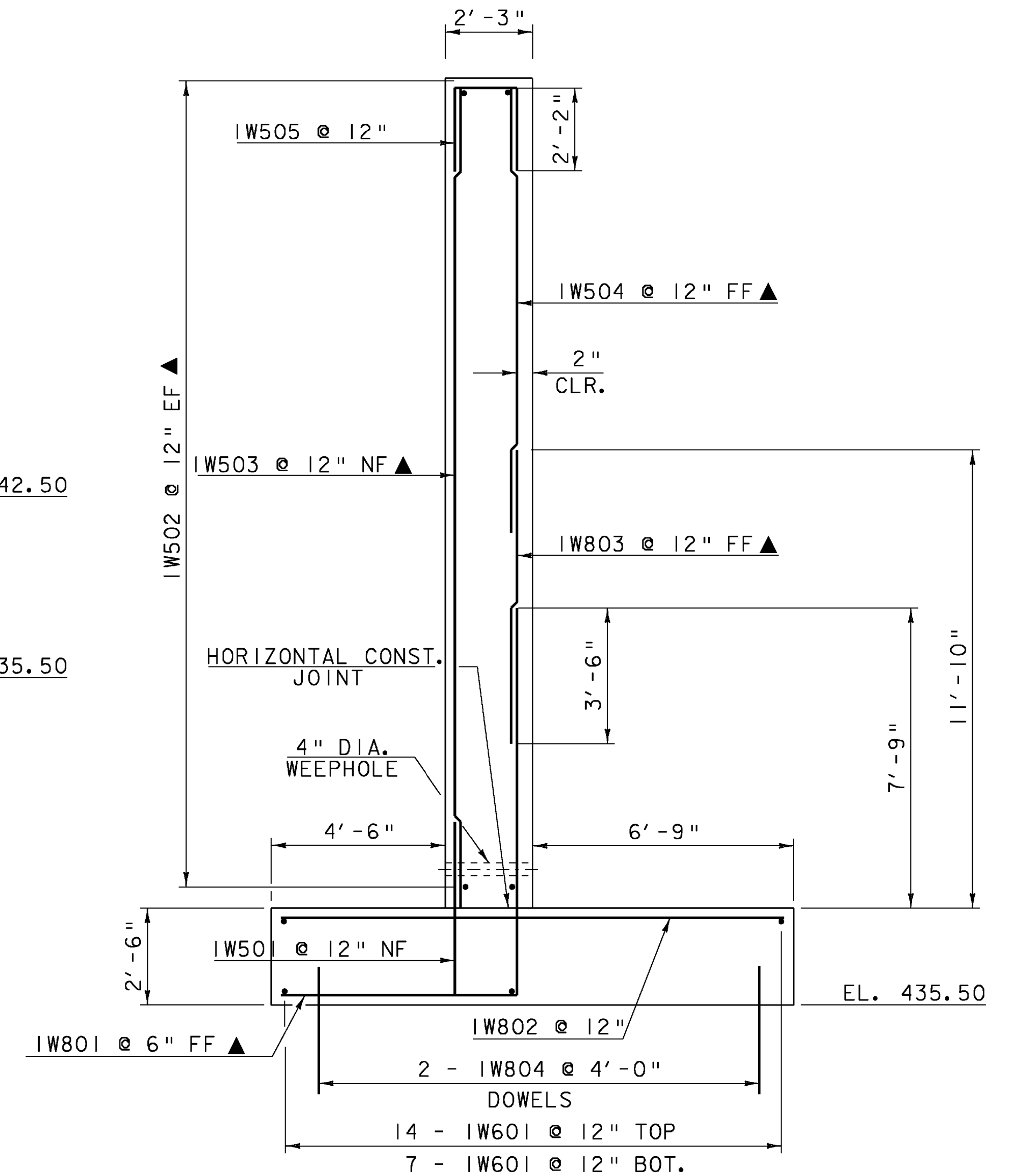


DETAIL A



WINGWALL NO. 1 ELEVATION

SCALE 1/4" = 1'-0"
1 0 2 4 6



WINGWALL NO. 1 TYPICAL

SCALE 3/8" = 1'-0"
1 0 1 2 3 4

WINGWALL NO. 2 TYPICAL
ON "PILE LAYOUT SHEET".

NOTE:

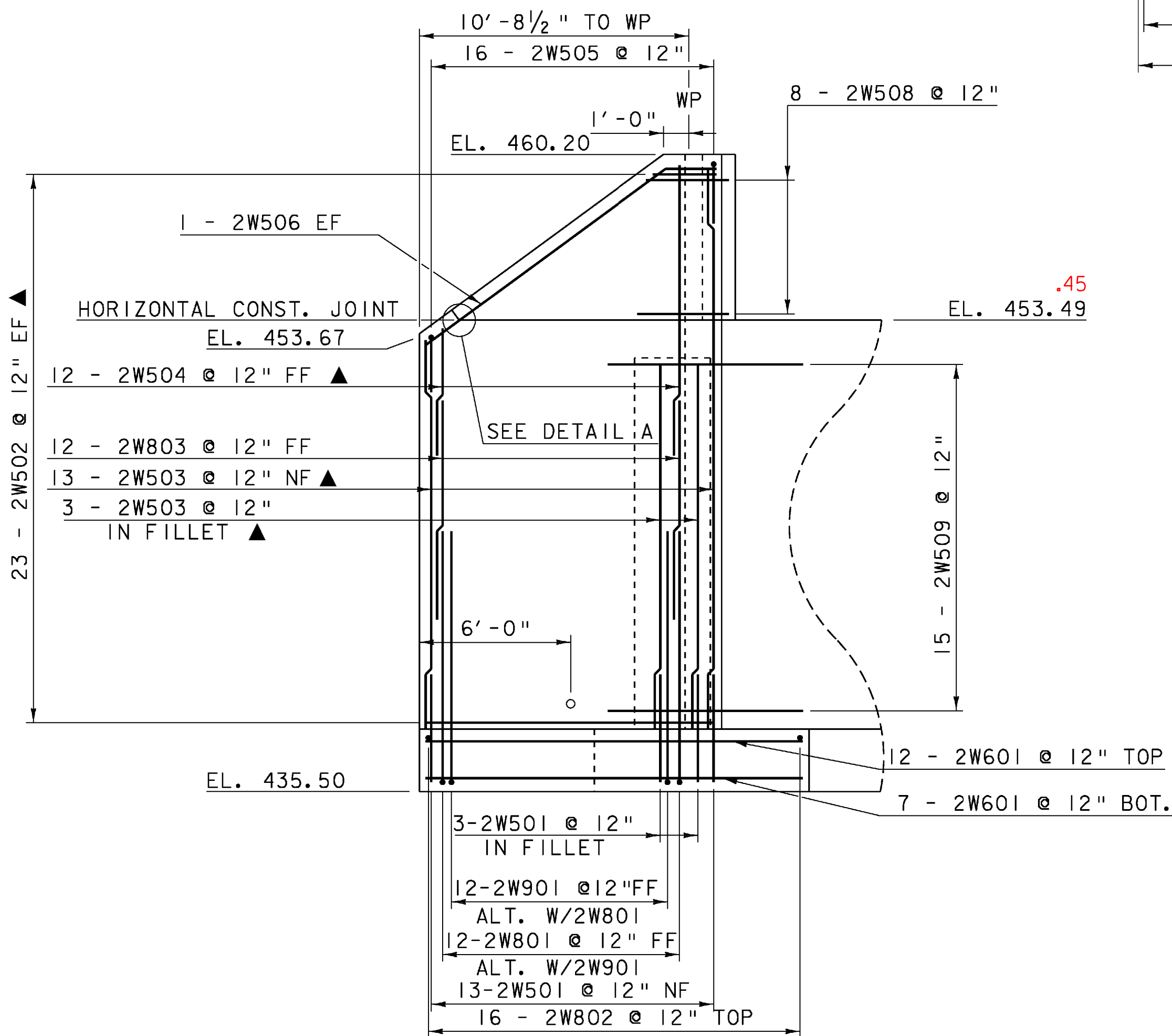
- NF = NEAR FACE
- FF = FAR FACE
- EF = EACH FACE
- ▲ = CUT TO FIT IN FIELD
- 3" CLEAR, UNLESS OTHERWISE SPECIFIED ON THE PLANS.
- 2'-2" BAR LAP UNLESS OTHERWISE SPECIFIED ON THE PLANS.

WINGWALL #1 & #2 DETAILS

PROJECT NAME: MORETOWN-MIDDLESEX
PROJECT NUMBER: BRS 0284(14)

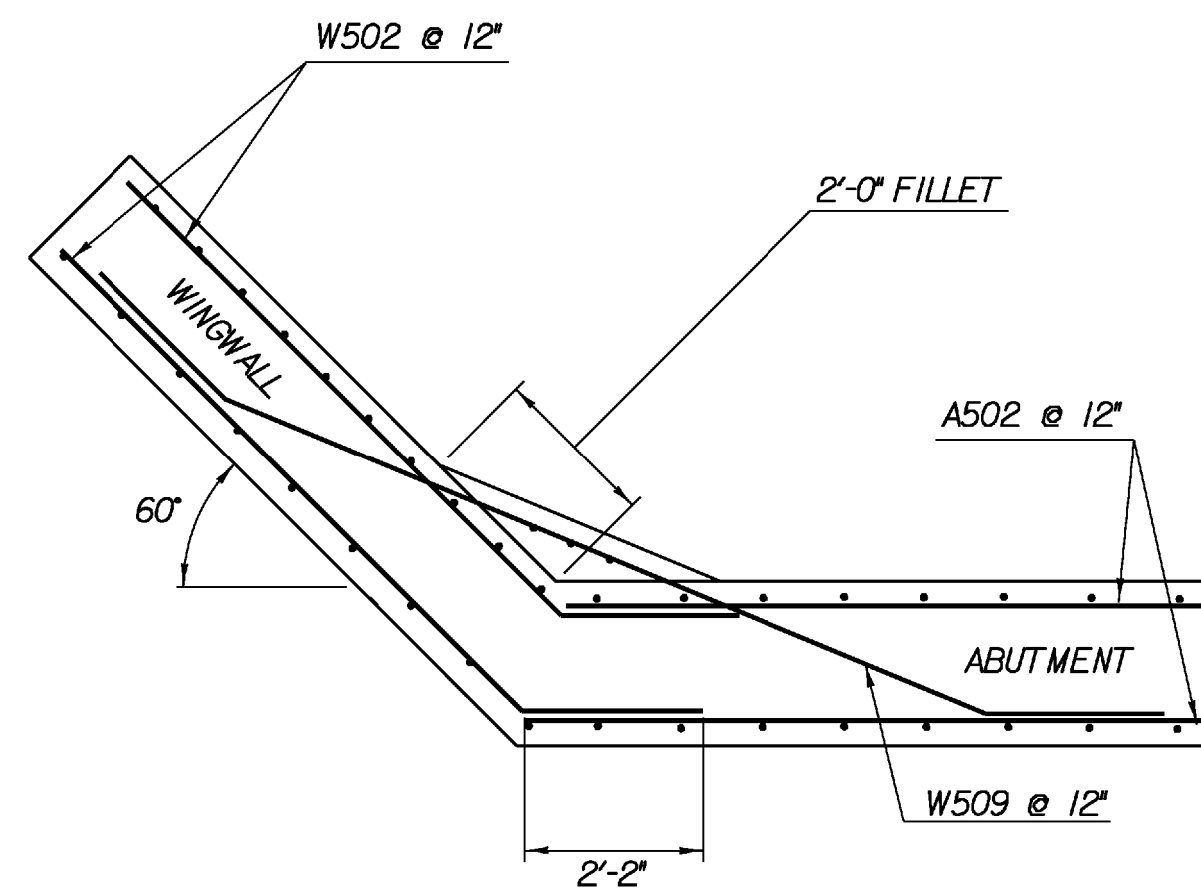
FILE NAME: 78f219/struc./sf219sub
PROJECT LEADER: M. EVANS-MONGEON
DESIGNED BY: J. TREI

PLOT DATE: 15-JUN-2009
DRAWN BY: L. DUQUETTE
CHECKED BY: S. SCRIBNER
SHEET 66 OF 103



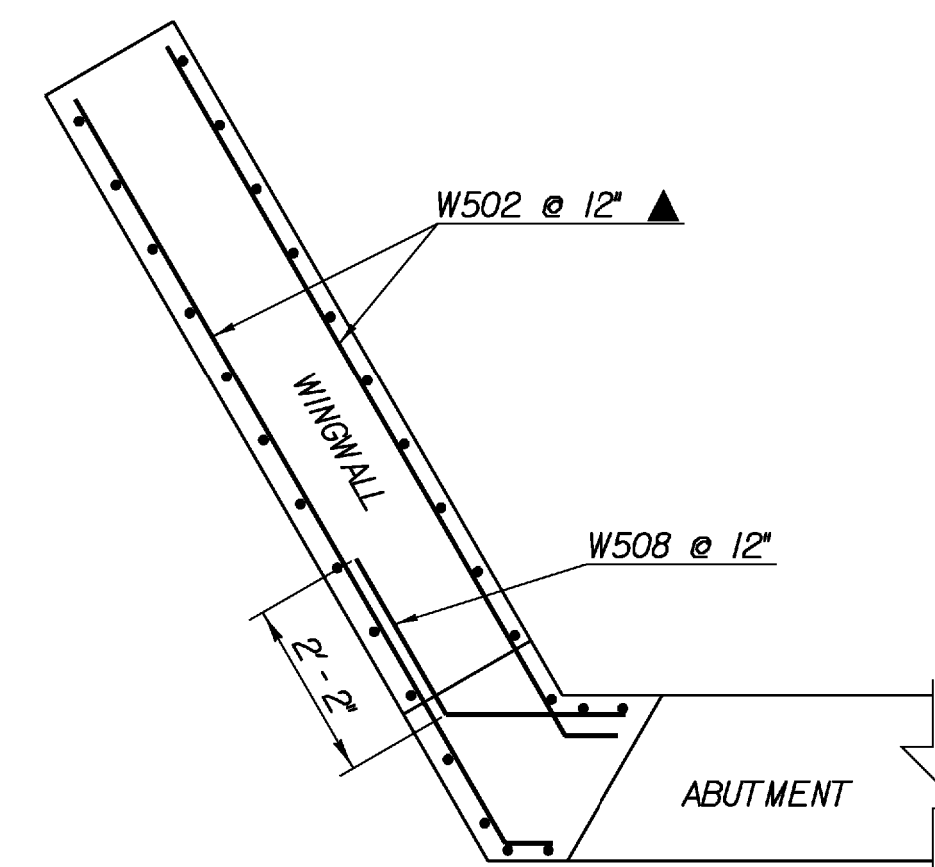
WINGWALL NO. 2 ELEVATION

SCALE 1/4" = 1'-0"
1 0 2 4 6



WINGWALL #2 & #3 FILLET DETAIL
(BELOW BRIDGE SEAT)

NTS



WINGWALL CORNER DETAIL
(ABOVE BRIDGE SEAT)

NTS