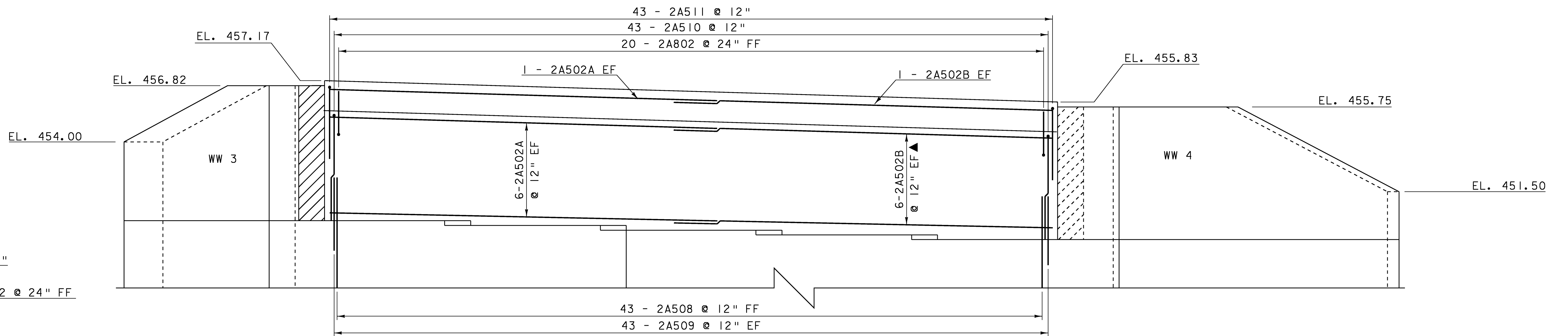


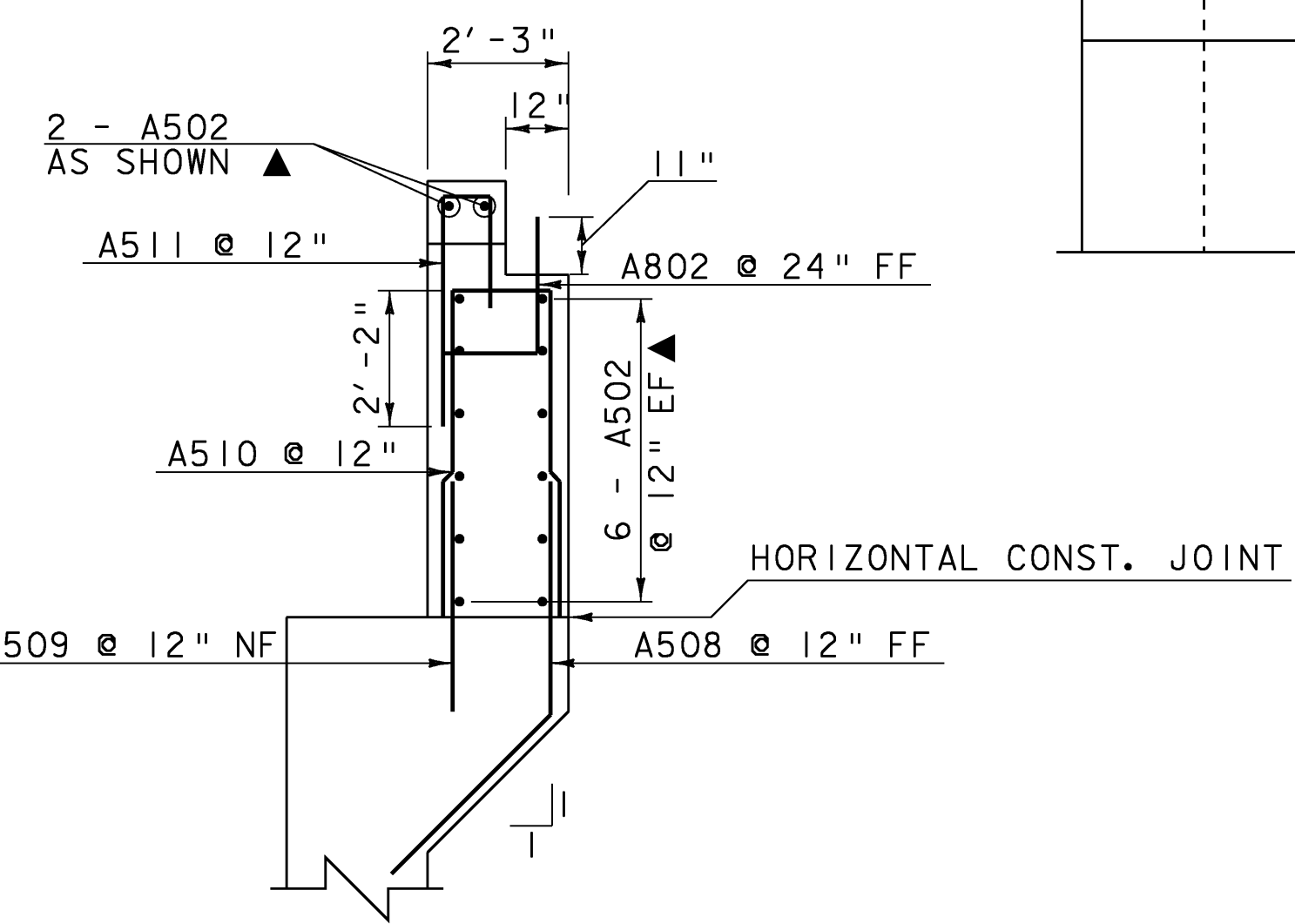
ABUTMENT #1 BACKWALL
ELEVATION VIEW

SCALE 3/8" = 1'-0"
0 1 2 3 4



ABUTMENT #2 BACKWALL
ELEVATION VIEW

SCALE 3/8" = 1'-0"
0 1 2 3 4



BACKWALL TYPICAL

SCALE 3/8" = 1'-0"
0 1 2 3 4

NOTE:

- NF = NEAR FACE
- FF = FAR FACE
- EF = EACH FACE
- ▲ = CUT TO FIT IN FIELD
- 3" CLEAR, UNLESS OTHERWISE SPECIFIED ON THE PLANS.
- 2'-2" BAR LAP UNLESS OTHERWISE SPECIFIED ON THE PLANS.

BACKWALL DETAILS

PROJECT NAME: MORETOWN-MIDDLESEX
PROJECT NUMBER: BRS 0284(14)

FILE NAME: 78f219/struc./sf219sub
PROJECT LEADER: M. EVANS-MONGEON
DESIGNED BY: S. SCRIBNER
PLOT DATE: 15-JUN-2009
DRAWN BY: L. DUQUETTE
CHECKED BY: J. TREI
SHEET 63 OF 103