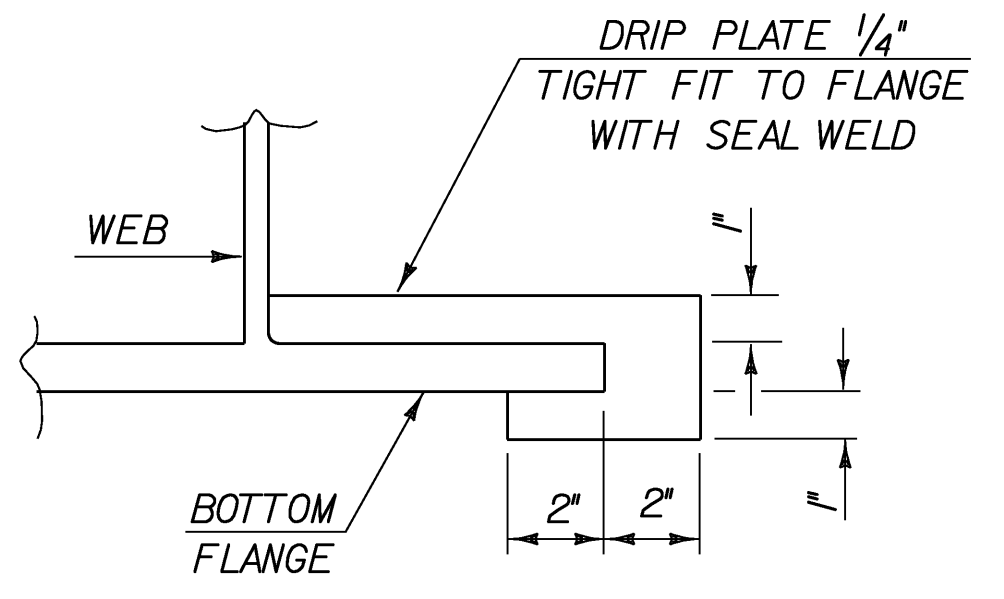
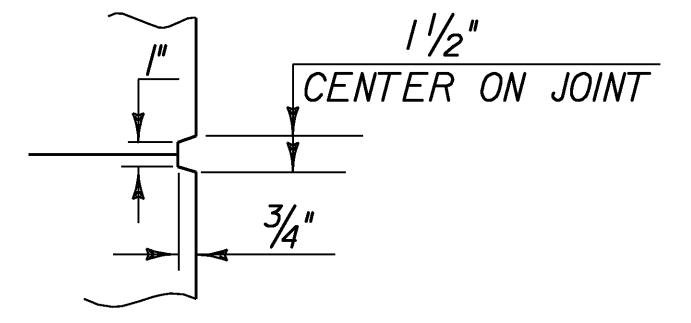


**PLAN DRIP PLATE**

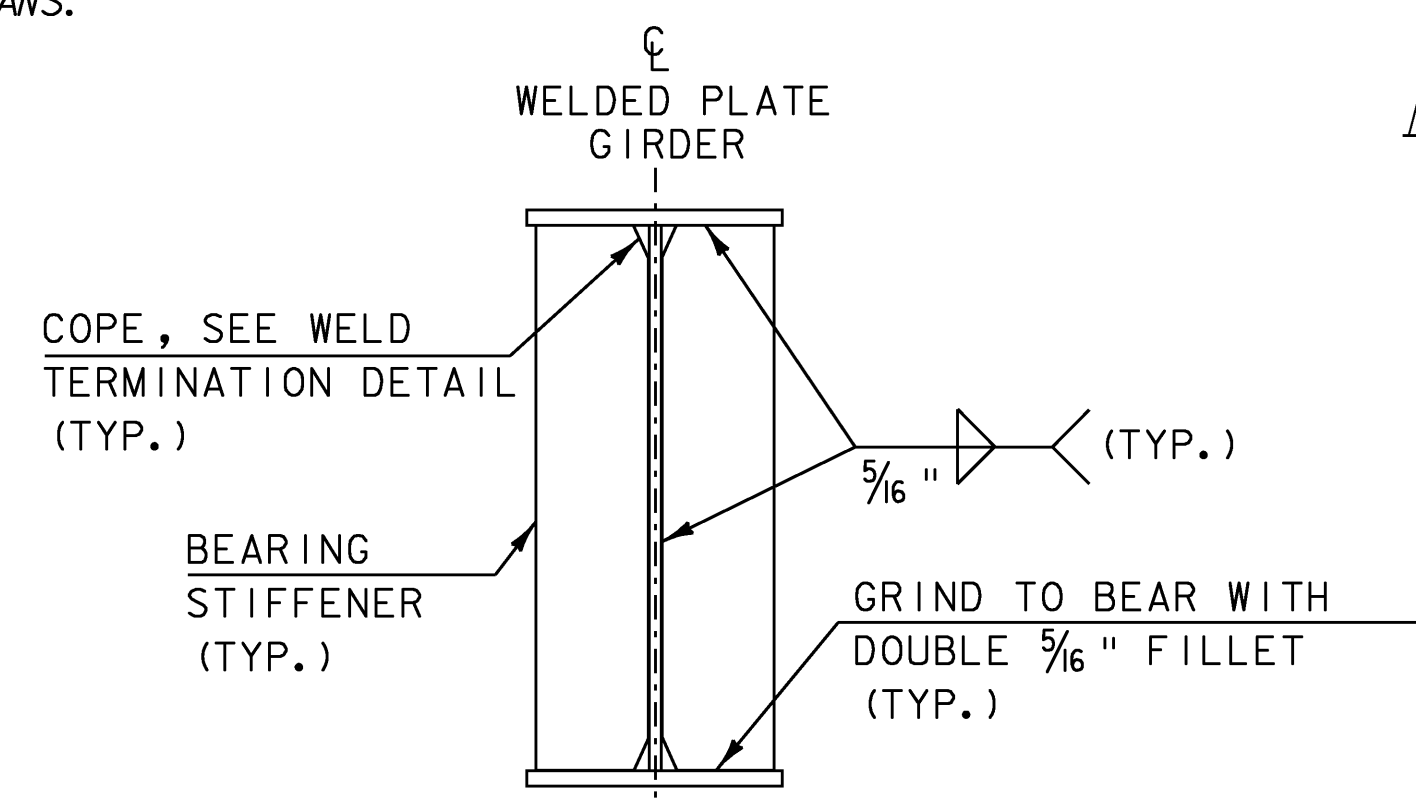
NOTE: DRIP PLATES SHALL BE PLACED ON OUTSIDE EDGE OF FASCIA GIRDERS ON THE HIGH SIDE OF ALL PIERS AND ABUTMENTS OR AS INDICATED ON PROJECT PLANS.



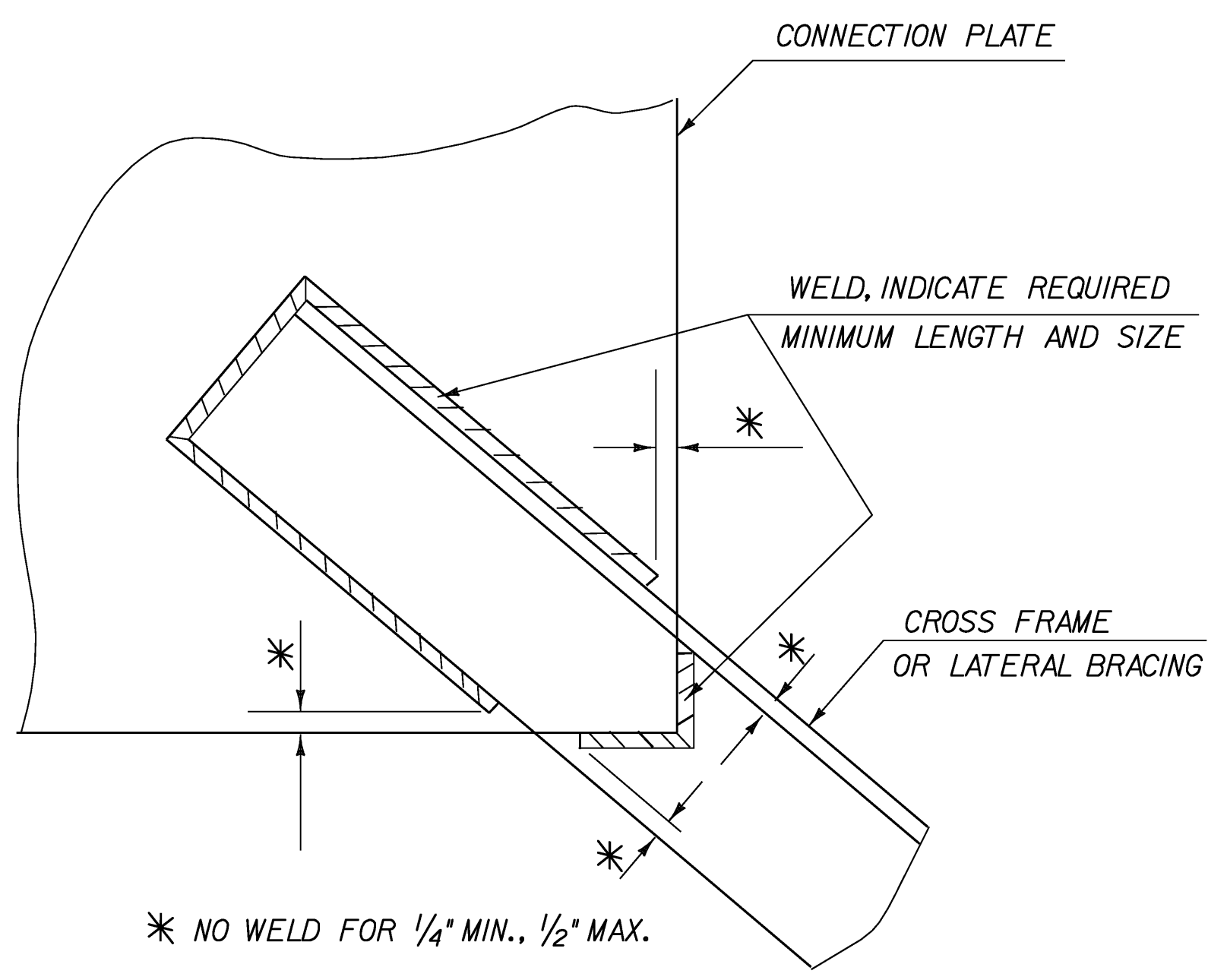
**SECTION A - A**



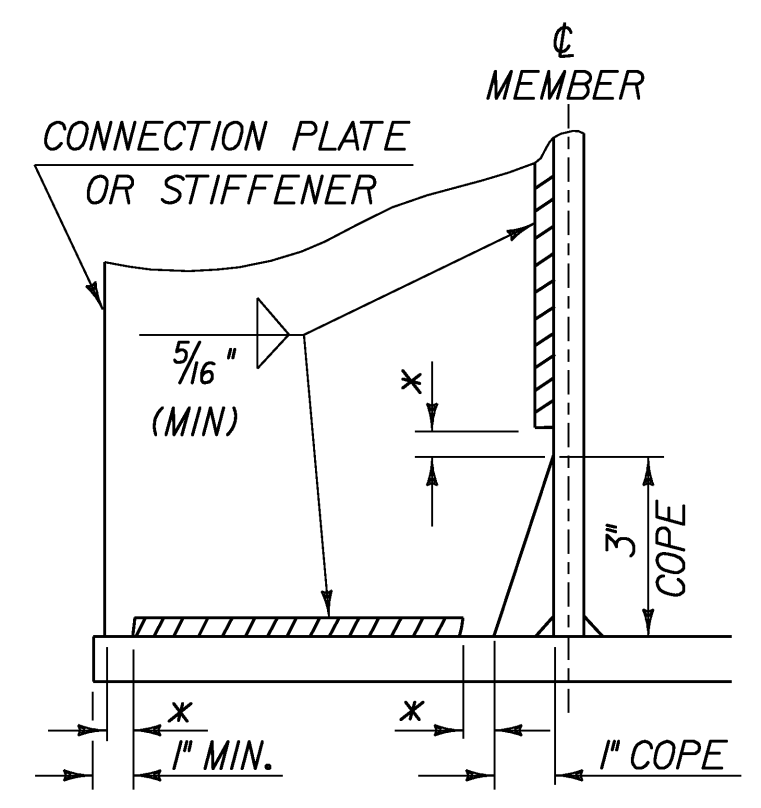
**SCORE MARK DETAIL**



**ABUTMENT CONNECTION PLATE, PIER STIFFENERS & JACKING STIFFENERS FOR WELDED PLATE GIRDERS (NOT TO SCALE)**

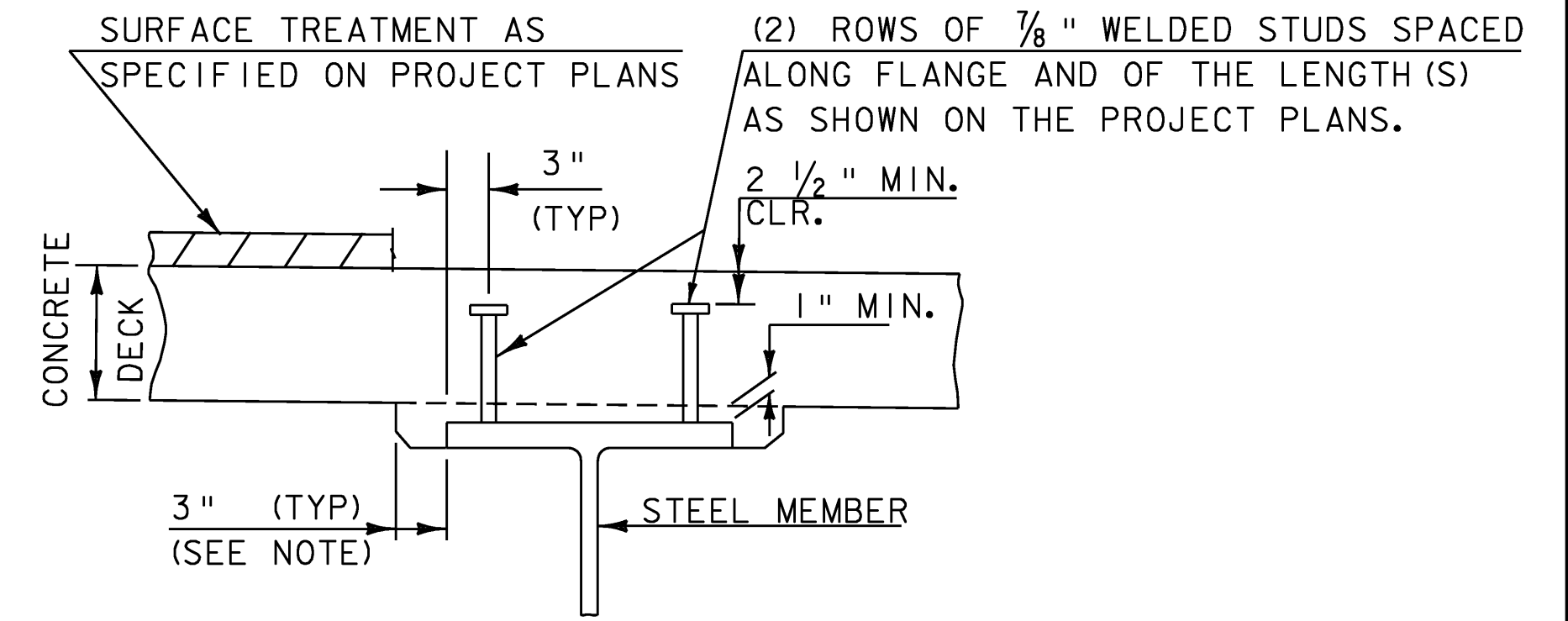


**WELD LOCATION DETAIL AT CROSS FRAMES AND LATERAL BRACING**



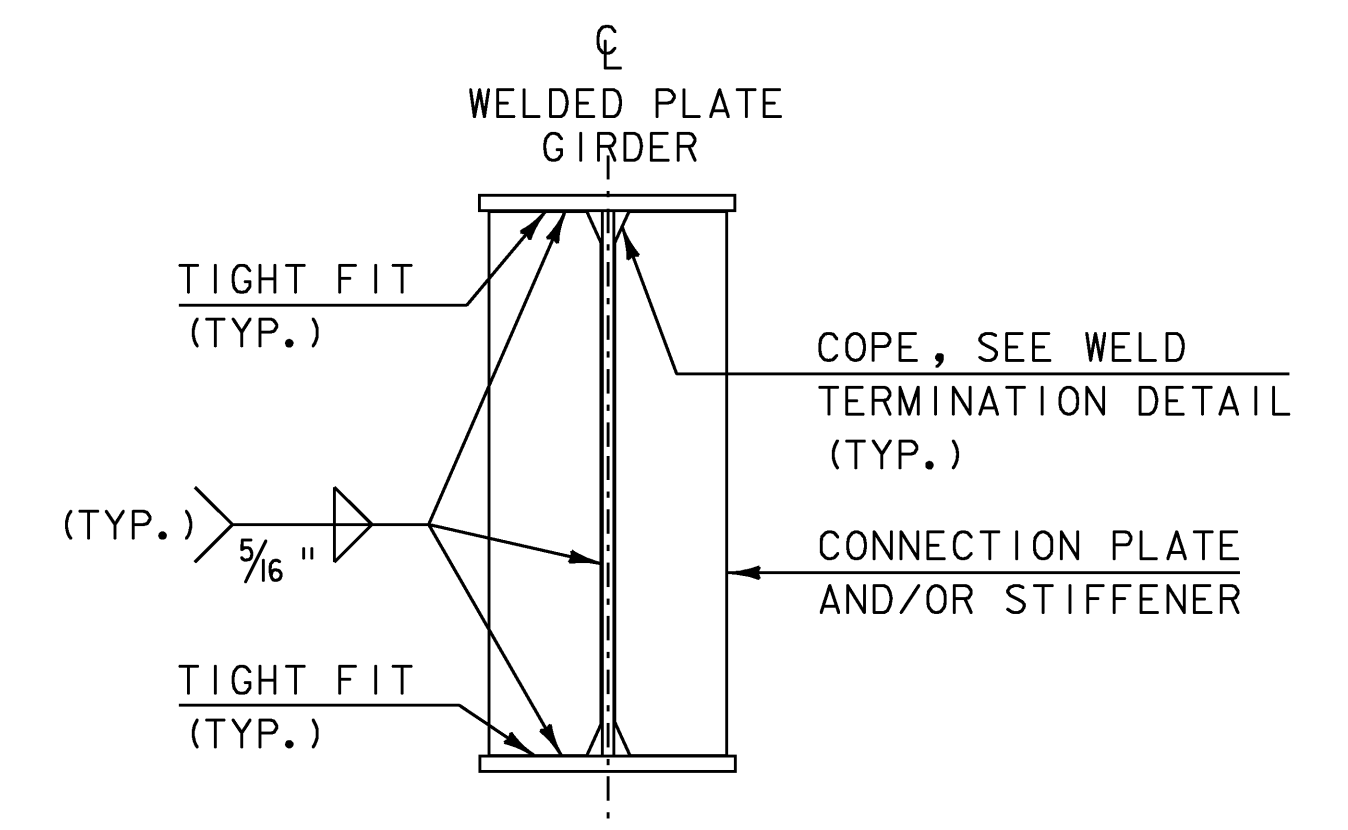
**WELD TERMINATION AND COPING DETAILS FOR STEEL MEMBERS**

\* NO WELD FOR 3/8" MIN. 7/8" MAX. (EXCEPT MUST MAINTAIN 1" MINIMUM FROM EDGE OF FLANGE)



NOTE: THE 3" HORIZONTAL SECTION MAY BE ELIMINATED FOR FORMING SYSTEMS DESIGNED FOR THE CONSTRUCTION OF VERTICAL HAUNCHES. ANY VOIDS RESULTING FROM FORMING SYSTEM ELEMENTS SHALL BE FILLED WITH JOINT SEALER, POLYURETHANE MEETING THE REQUIREMENTS OF SECTION 524. THE COST OF THE JOINT SEALER, POLYURETHANE SHALL BE INCIDENTAL TO THE ADJACENT CONCRETE.

**HAUNCH AND SHEAR CONNECTOR DETAIL (NOT TO SCALE)**



**INTERMEDIATE CONNECTION PLATES AND/OR STIFFENERS FOR WELDED PLATE GIRDERS (NOT TO SCALE)**

**SUPERSTRUCTURE DETAILS 2**

PROJECT NAME:	MORETOWN-MIDDLESEX
PROJECT NUMBER:	BRS 0284(14)
FILE NAME:	78f219/struc./sf219sup
PROJECT LEADER:	M. EVANS-MONGEON
DESIGNED BY:	S.SCRIBNER
PLOT DATE:	15-JUN-2009
DRAWN BY:	L. DUQUETTE
CHECKED BY:	S. SCRIBNER
SHEET	62 OF 103