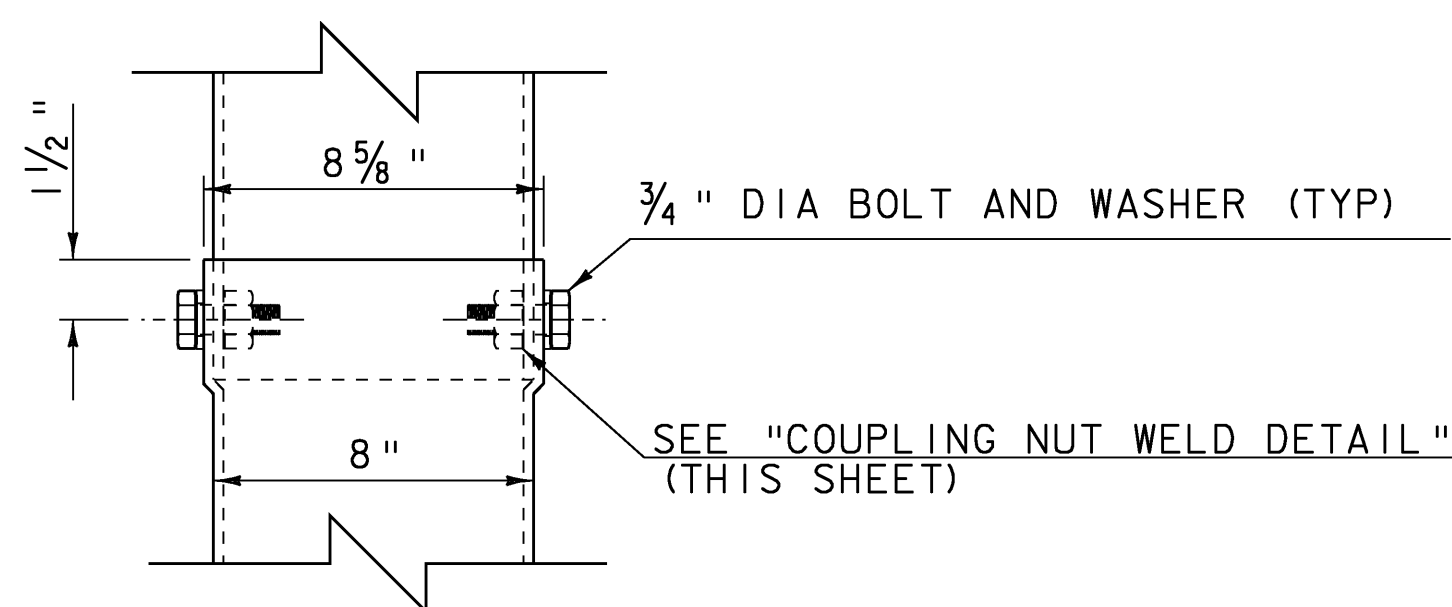


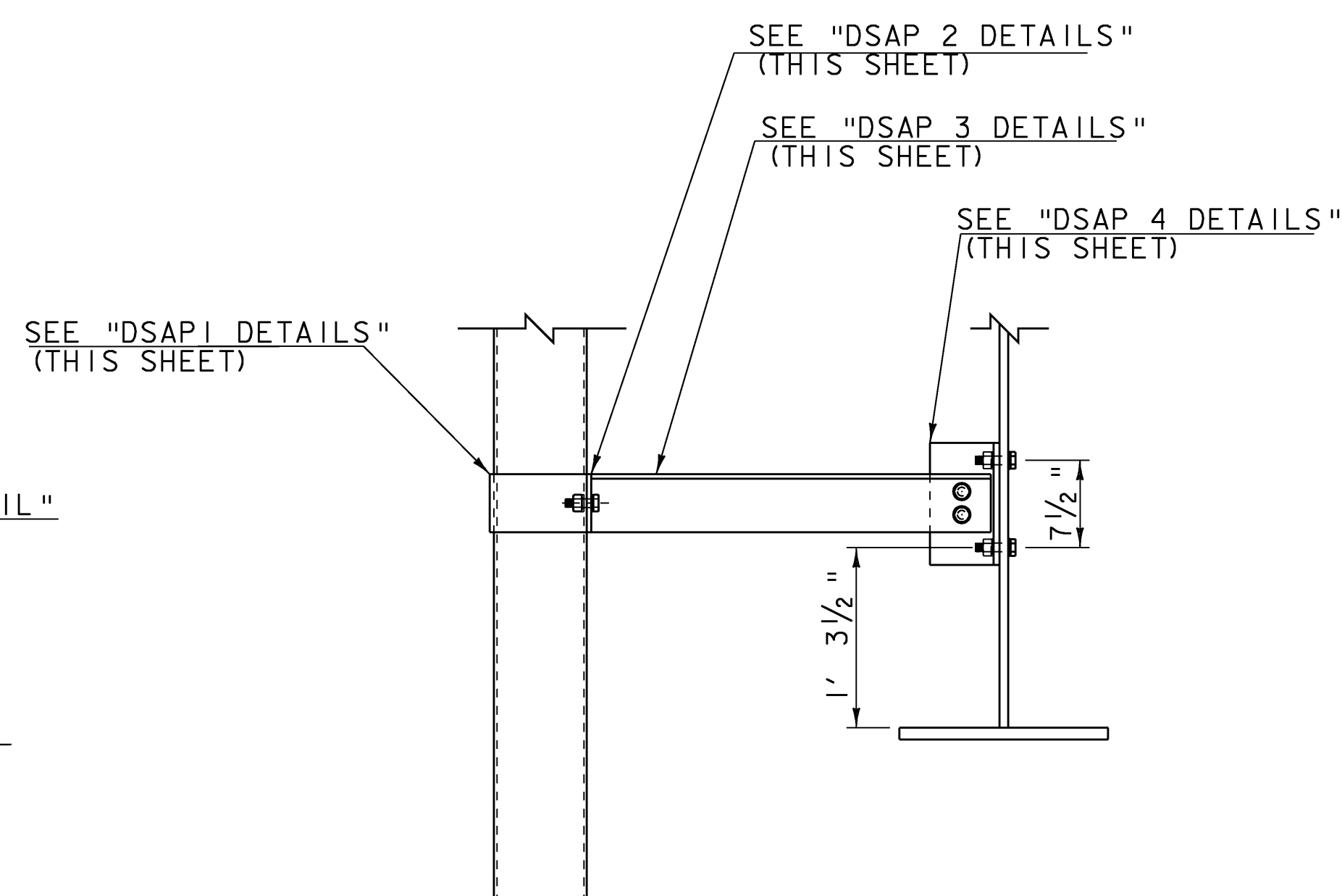
CURB DOWNSPOUT ATTACHMENT TO GIRDER LOCATION FRONT VIEW

SCALE 1" = 1'-0"
 1 9 6 3 0 2



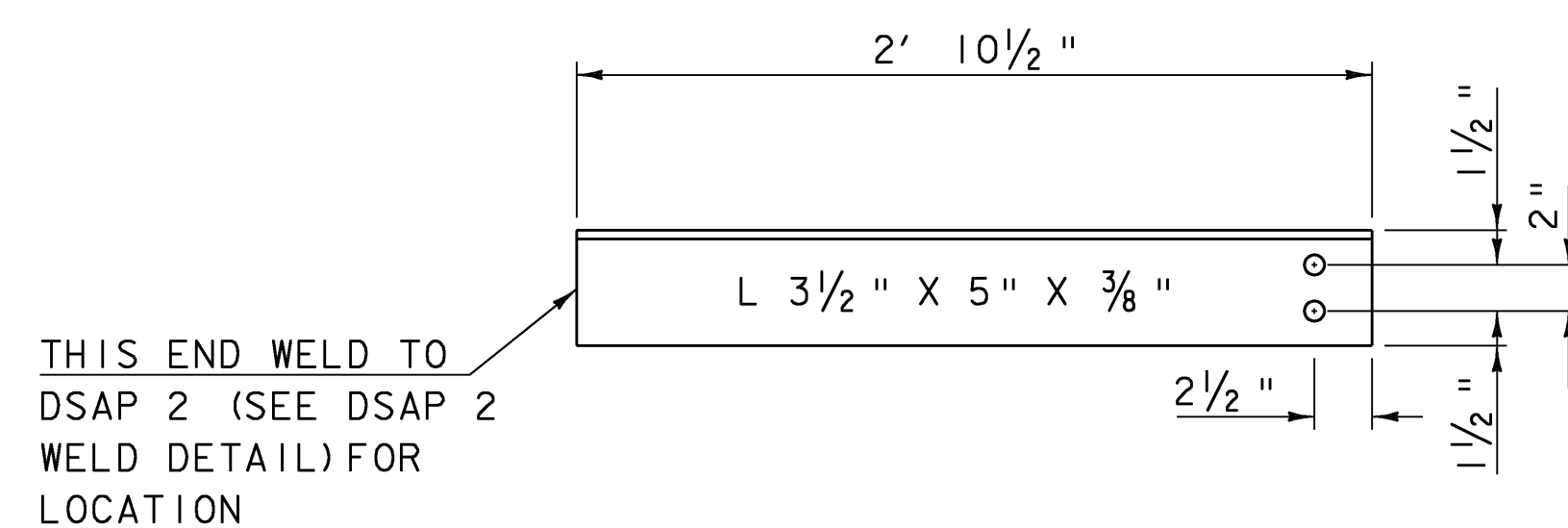
DOWNSPOUT COUPLING DETAIL

NTS



DSAP DETAILS

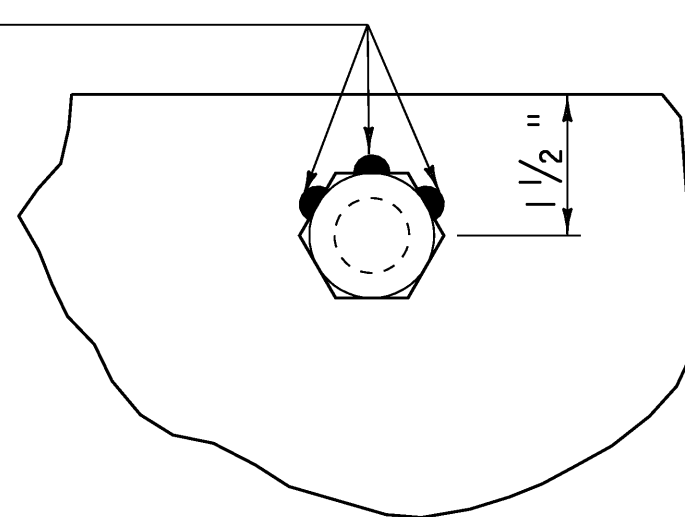
SCALE 1" = 1'-0"
 1 9 6 3 0 2



DSAP 3 DETAIL

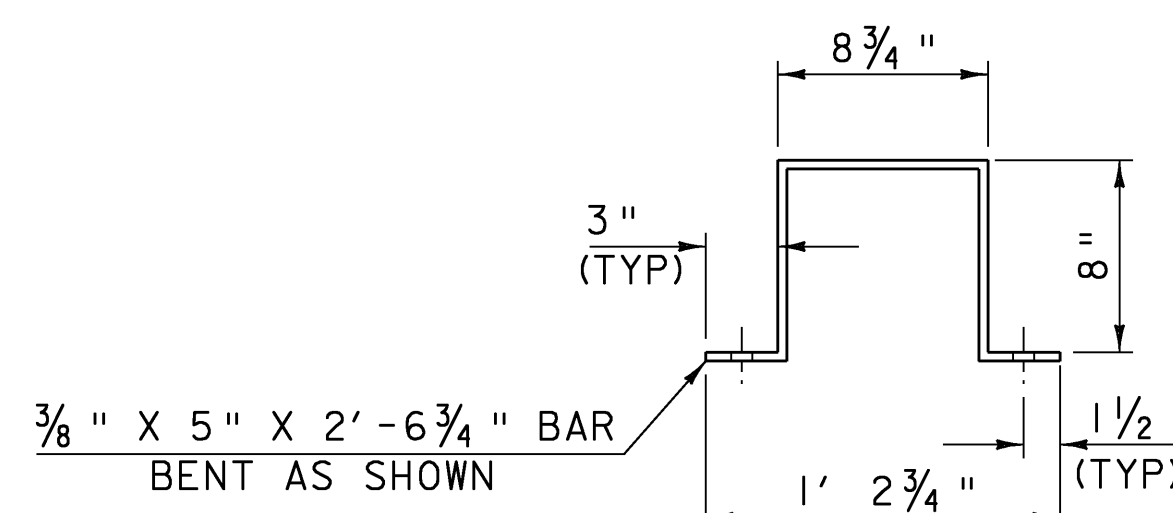
SCALE 1 1/2" = 1'-0"
 1 9 6 3 0 2

3/4" HEAVY HEX NUT
 WELD NUT TO INSIDE
 OF HSS 8 X 8 X 1/4"
 COUPLING (1/4" FILLET
 FOR THE THREE EXPOSED
 AND ACCESSIBLE FACES
 OF NUT)



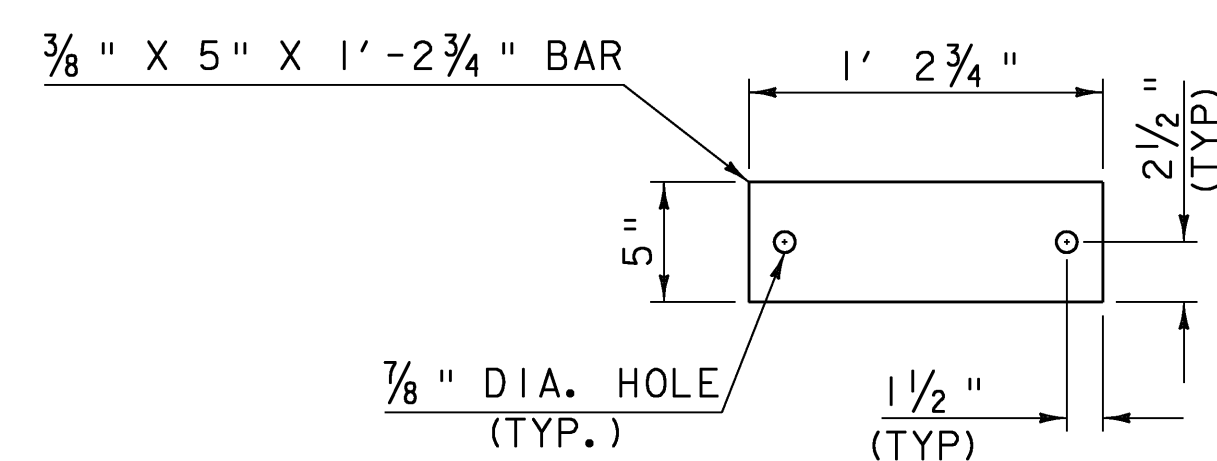
COUPLING NUT WELD DETAIL

NTS



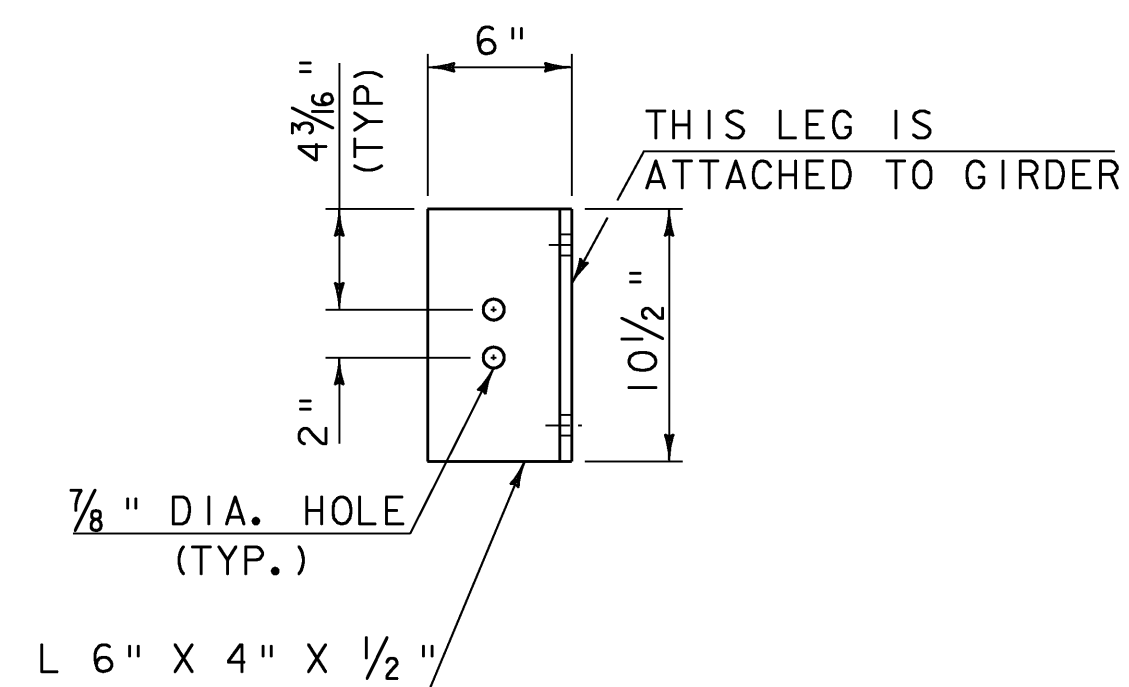
DSAP 1 DETAIL PLAN VIEW

SCALE 1 1/2" = 1'-0"
 1 9 6 3 0 2



DSAP 2 DETAIL

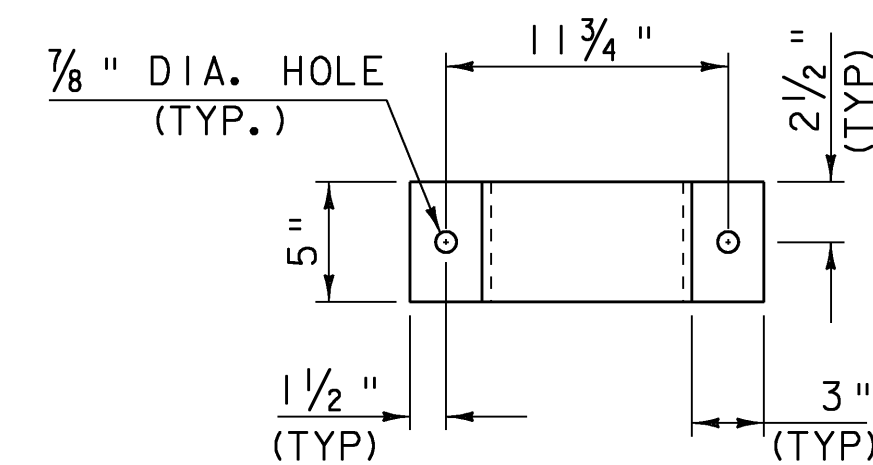
SCALE 1 1/2" = 1'-0"
 1 9 6 3 0 2



DSAP 4 DETAIL

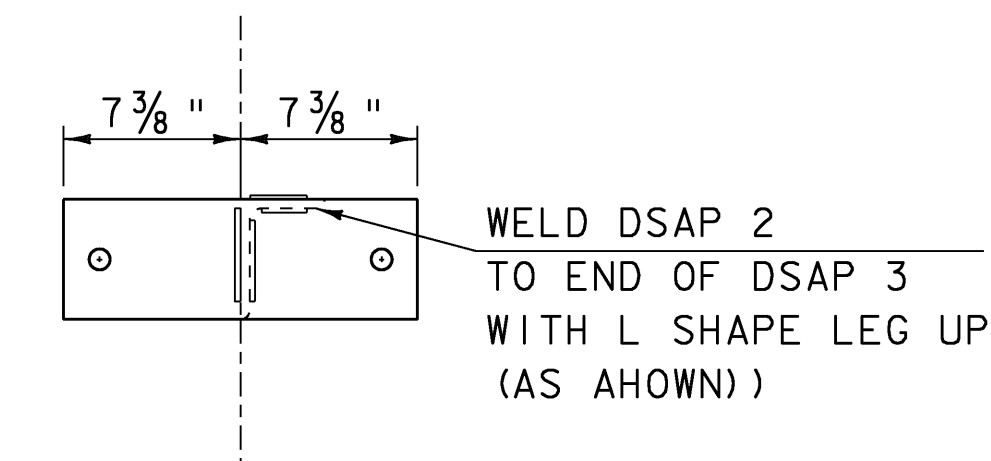
ELEVATION VIEW

SCALE 1 1/2" = 1'-0"
 1 9 6 3 0 2



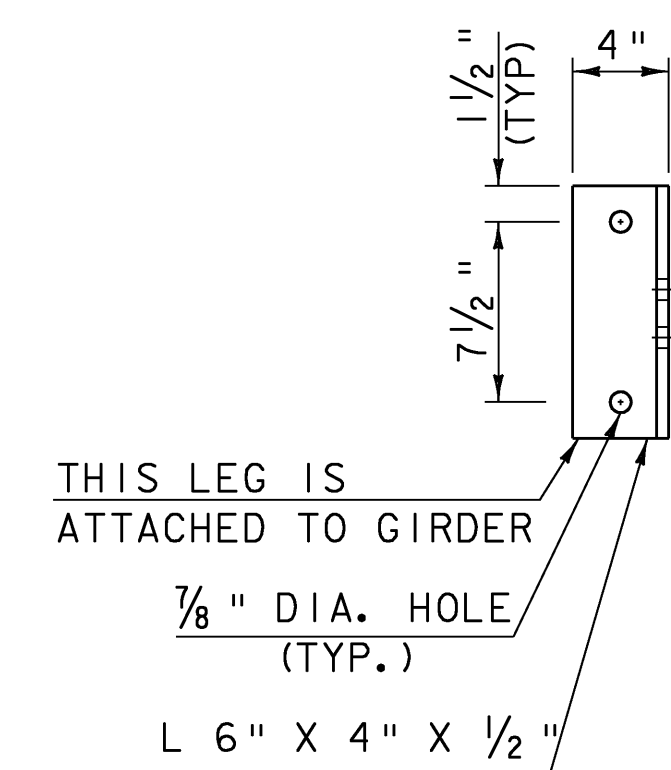
DSAP 1 DETAIL ELEVATION VIEW

SCALE 1 1/2" = 1'-0"
 1 9 6 3 0 2



DSAP 2 WELD DETAIL

SCALE 1 1/2" = 1'-0"
 1 9 6 3 0 2



DSAP 4 DETAIL

FRONT VIEW

SCALE 1 1/2" = 1'-0"
 1 9 6 3 0 2

MID SPAN DOWNSPOUT DETAILS 2

PROJECT NAME: MORETOWN-MIDDLESEX
 PROJECT NUMBER: BRS 0284(I4)

FILE NAME: 78f219/struc./sf219sup
 PROJECT LEADER: M. EVANS-MONGEON
 DESIGNED BY: S. SCRIBNER

PLOT DATE: 15-JUN-2009
 DRAWN BY: G. ROKES
 CHECKED BY: S. SCRIBNER
 SHEET 60 OF 103