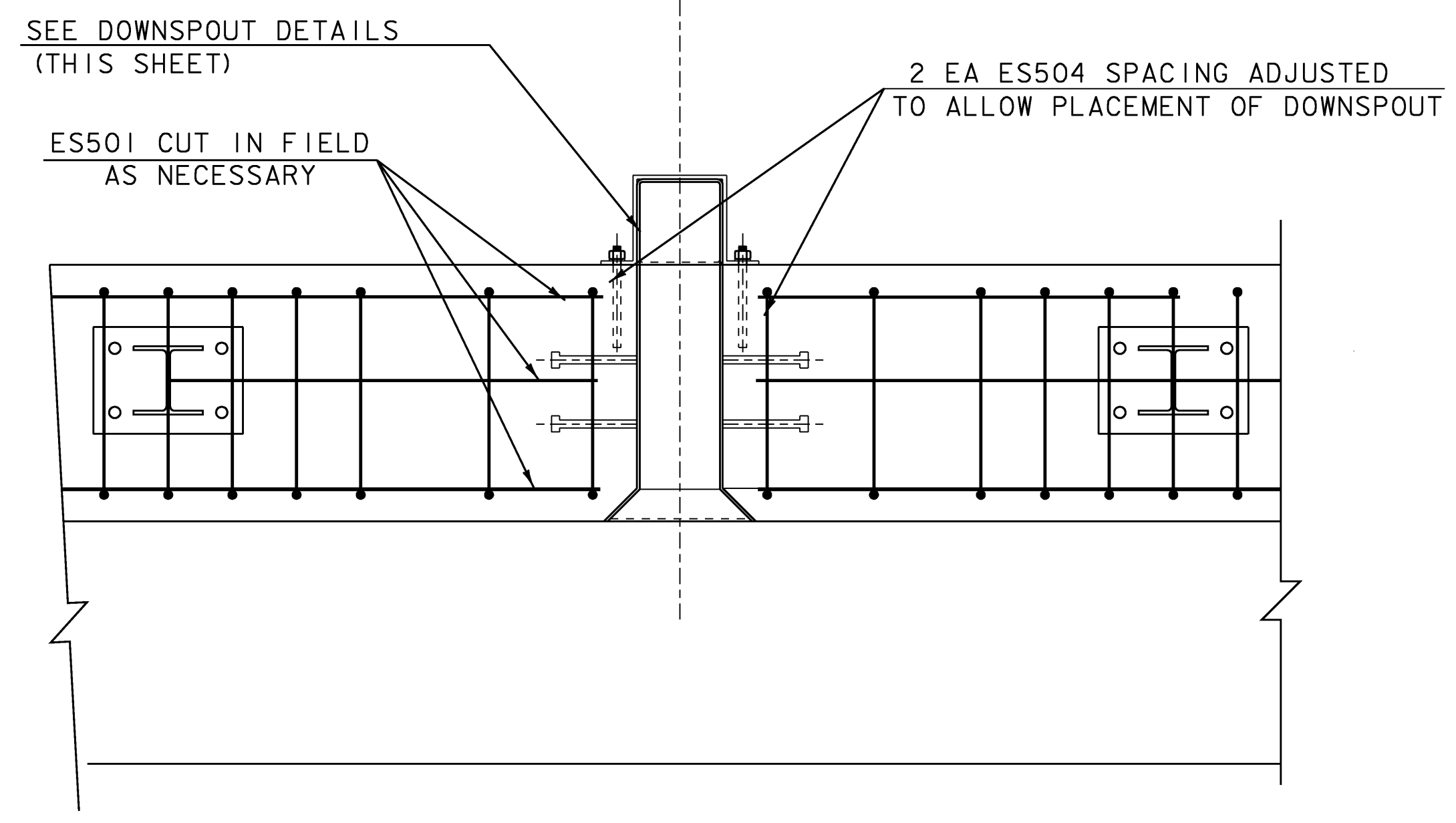
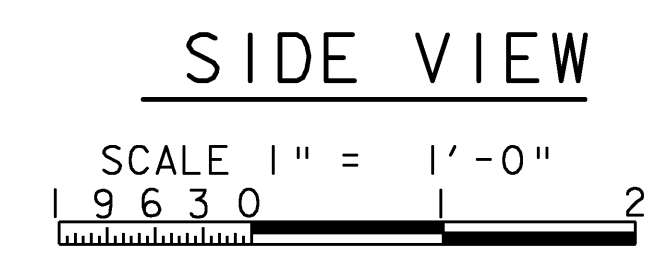


CURB CUT WITH DOWNSPOUT



CURB CUT WITH DOWNSPOUT PLAN VIEW

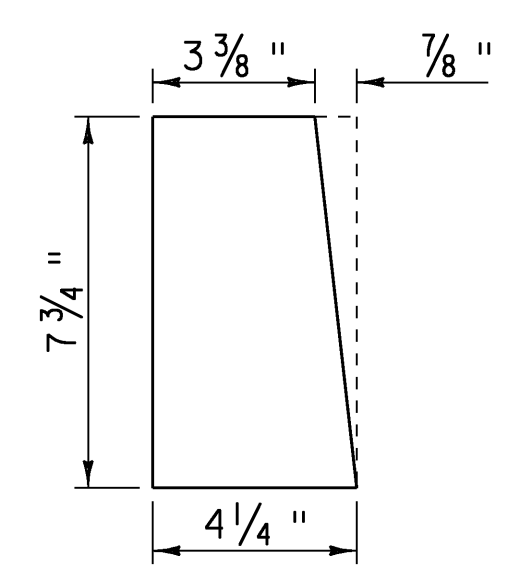
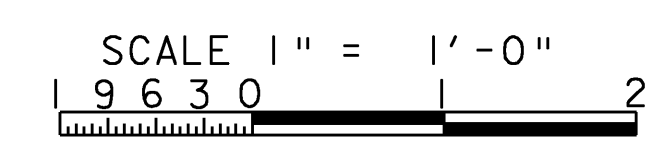
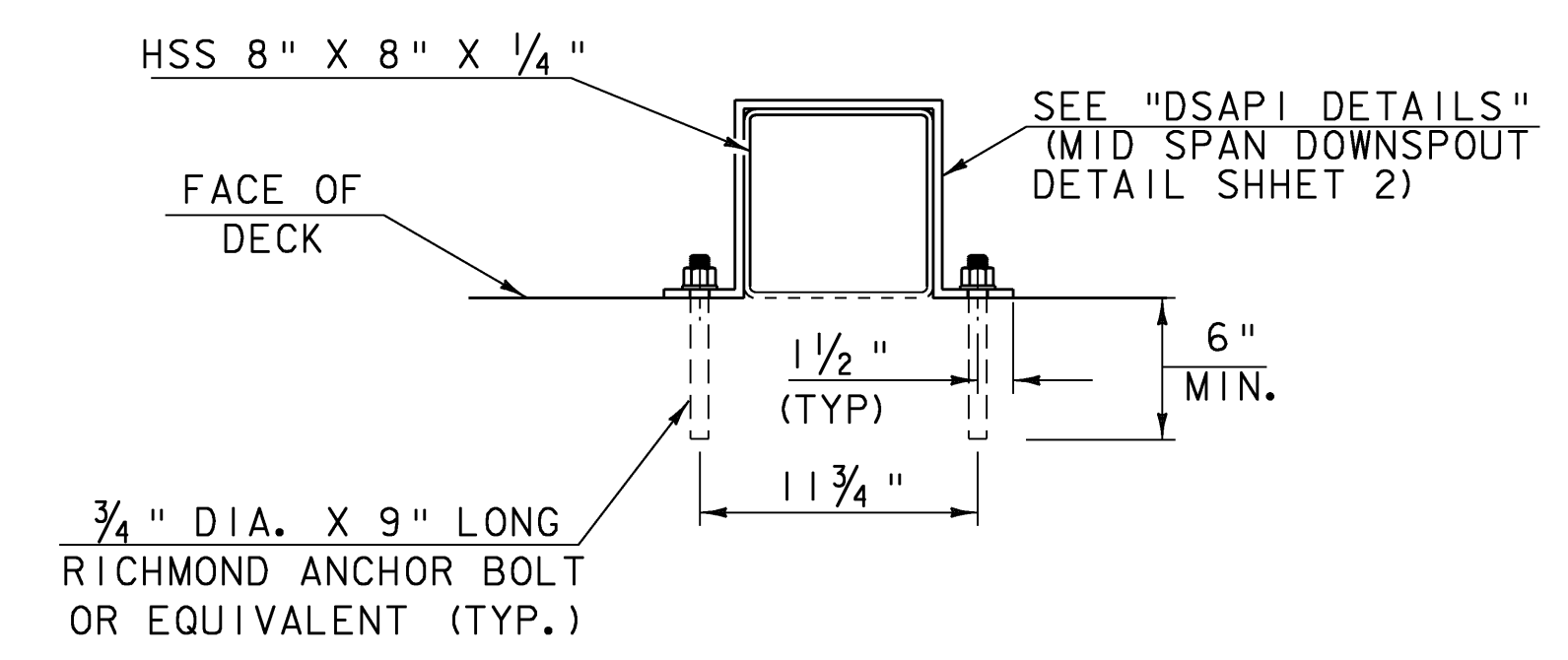
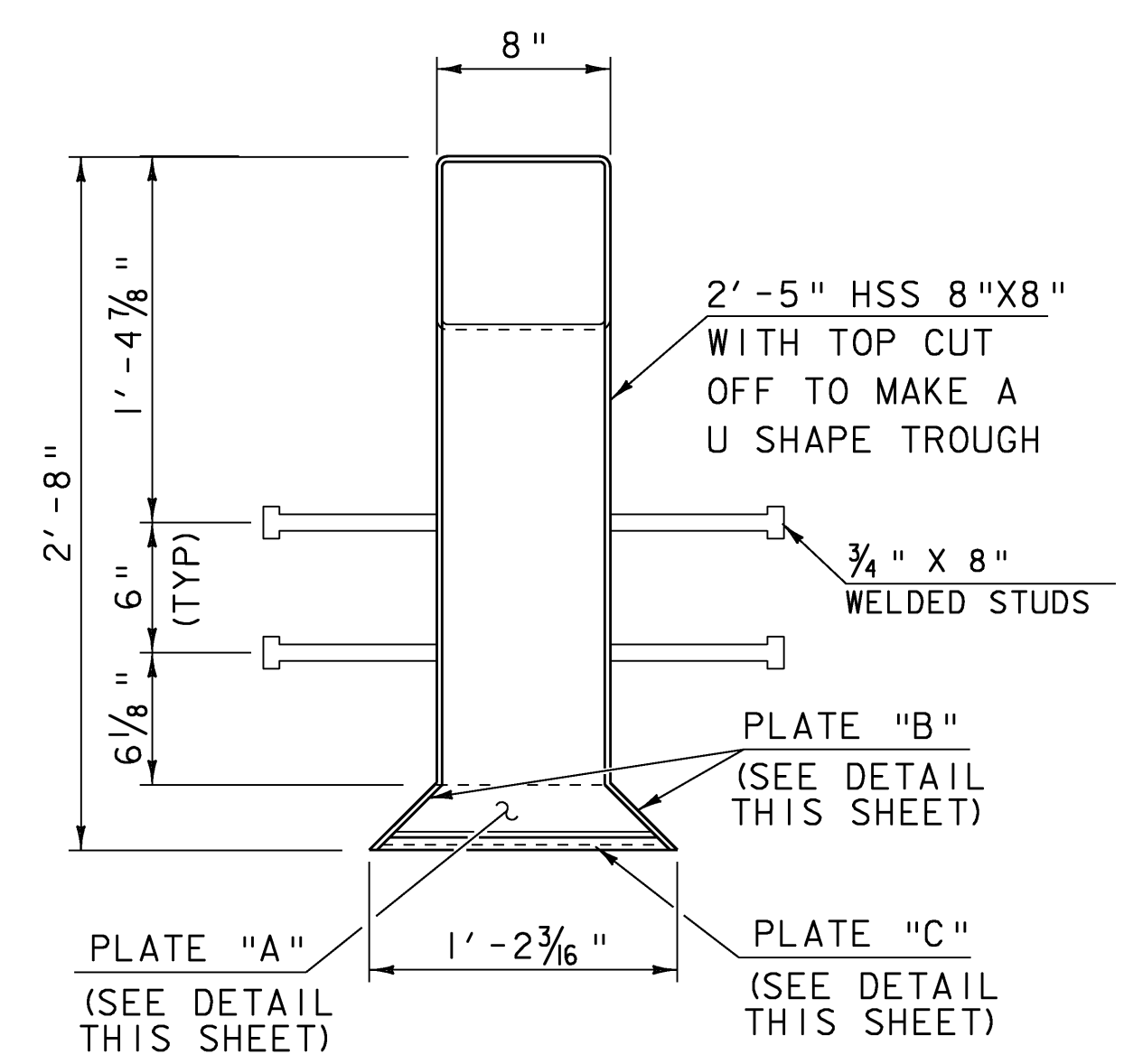
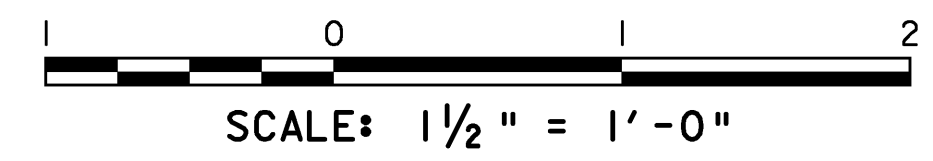


PLATE "B" DETAIL
NTS

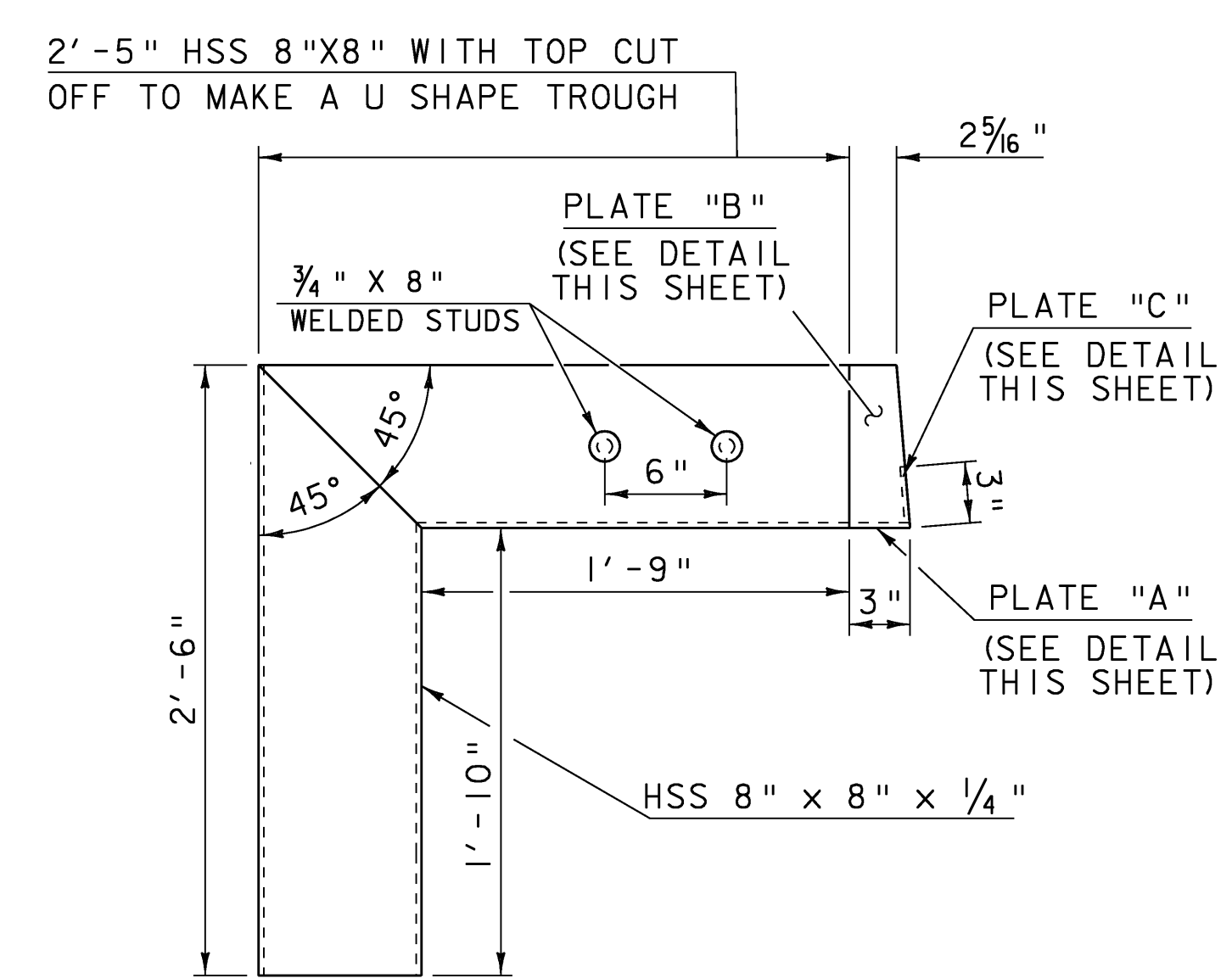
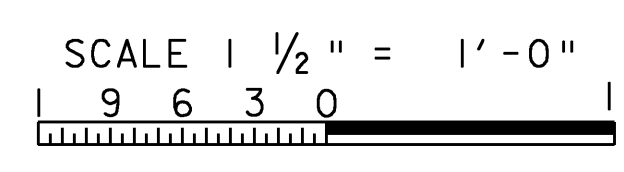


D1 DETAIL PLAN VIEW



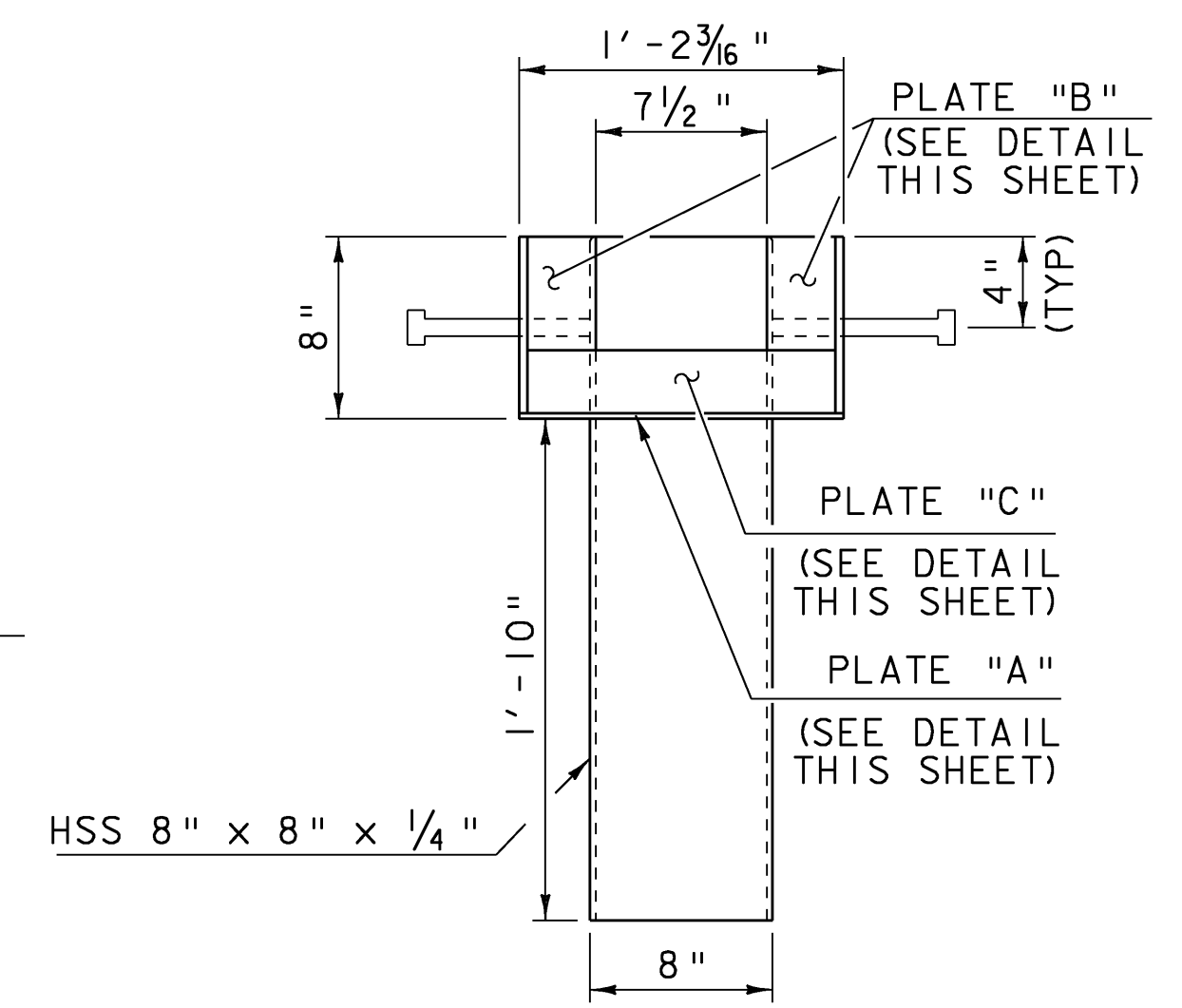
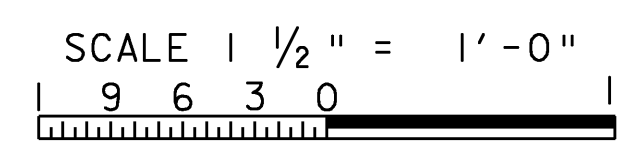
CURB DOWNSPOUT DETAIL

PLAN VIEW



CURB DOWNSPOUT DETAIL

SIDE VIEW



CURB DOWNSPOUT DETAIL

FRONT VIEW

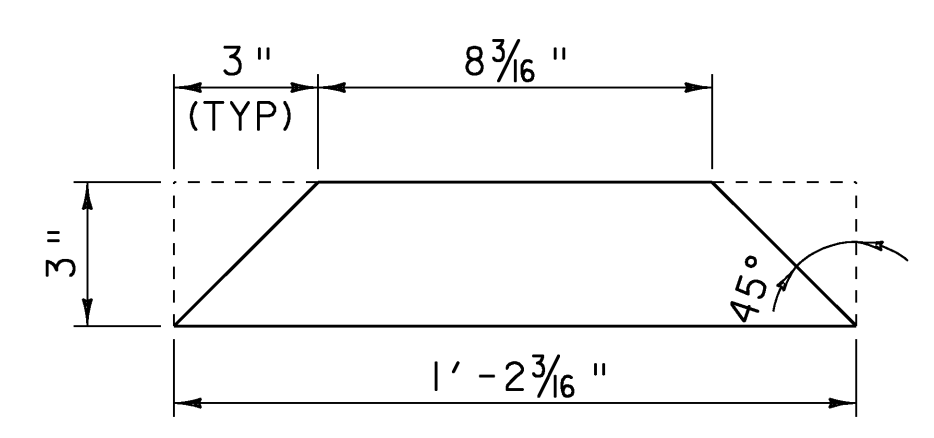
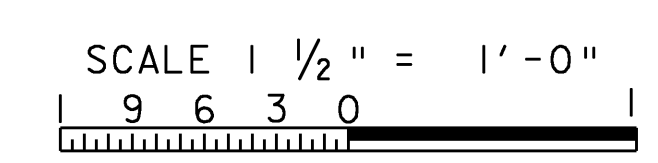


PLATE "A" DETAIL
NTS

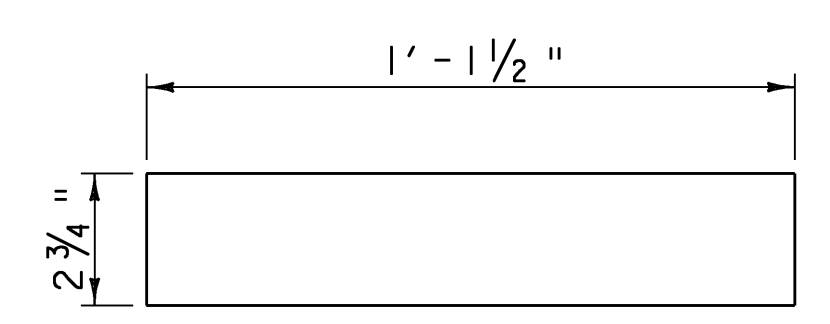


PLATE "C" DETAIL
NTS

- NOTES:
- SEE DOWNSPOUT NOTES ON "DOWNSPOUT DETAILS" SHEET
 - ALL REFERENCES TO PLATES ON THIS SHEET ARE 1/4" THICK UNLESS OTHERWISE NOTED

MID SPAN DOWNSPOUT DETAILS 1

PROJECT NAME: MORETOWN-MIDDLESEX	PLOT DATE: 15-JUN-2009
PROJECT NUMBER: BRS 0284(14)	DRAWN BY: G.ROKES
FILE NAME: 78f219/struc/sf219sup	CHECKED BY: S. SCRIBNER
PROJECT LEADER: M. EVANS-MONGEON	SHEET 59 OF 103
DESIGNED BY: S. SCRIBNER	