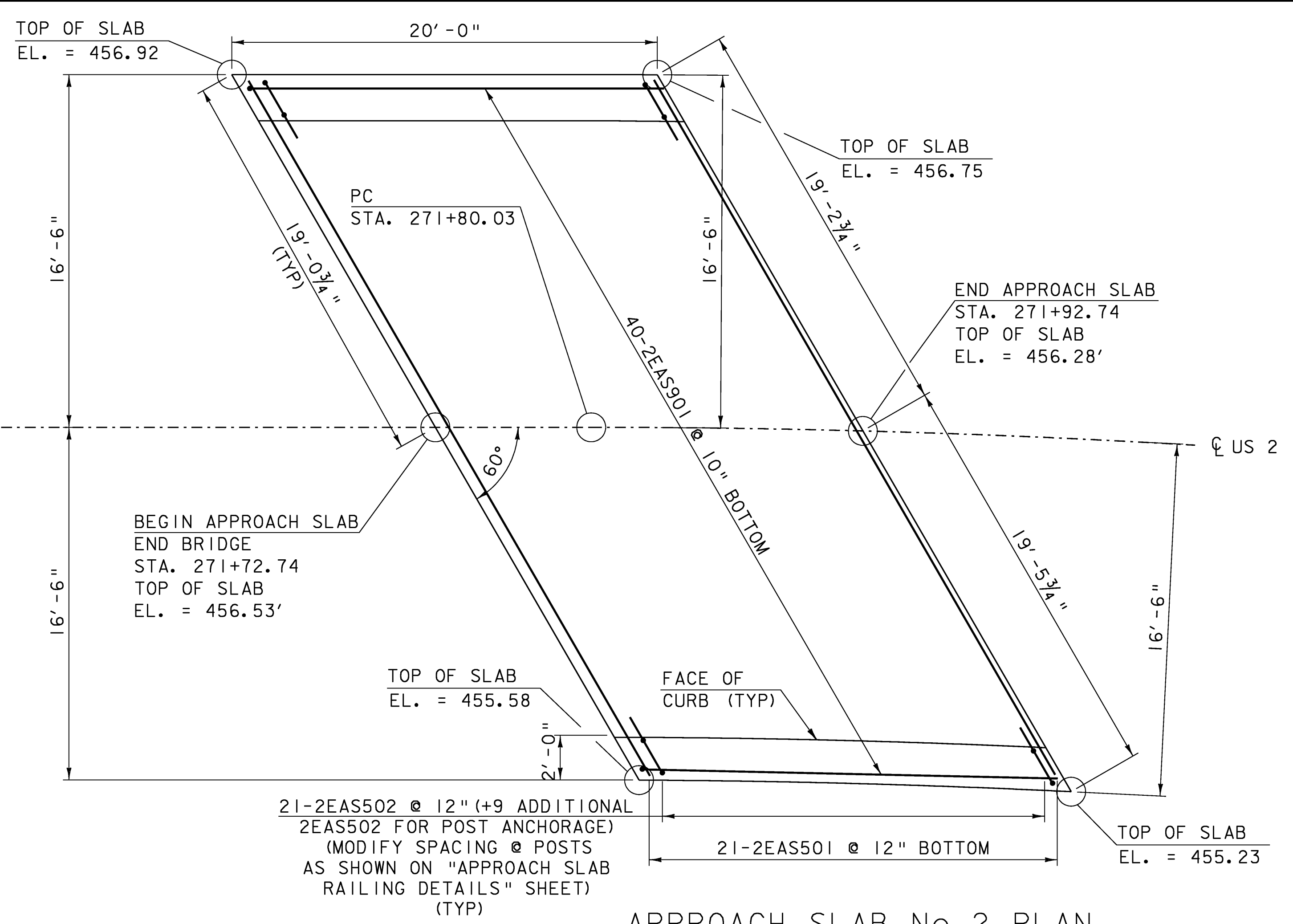


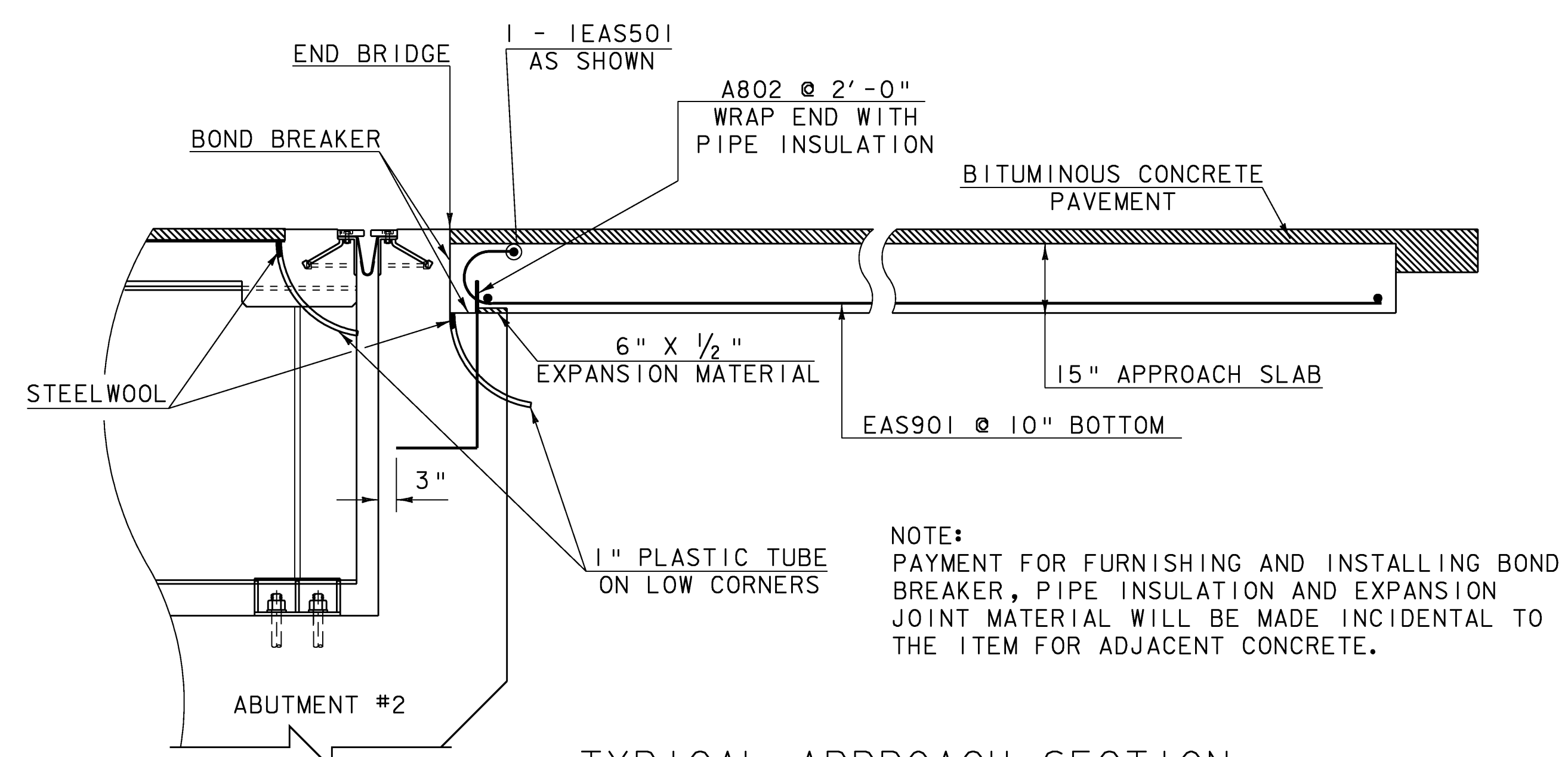
APPROACH SLAB No. 1 PLAN

SCALE 1/4" = 1'-0"
1 0 2 4 6



APPROACH SLAB No. 2 PLAN

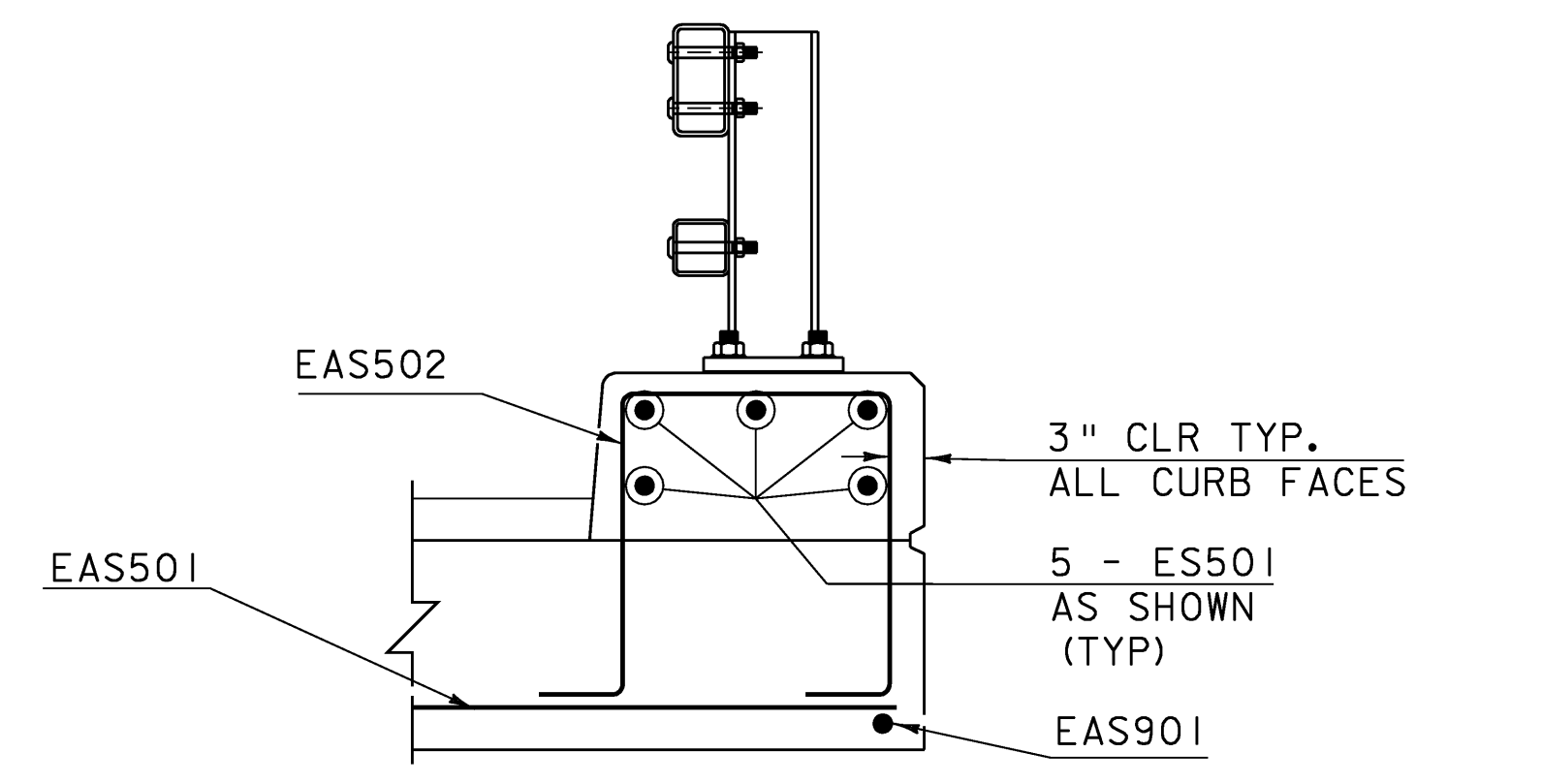
SCALE 1/4" = 1'-0"
1 0 2 4 6



TYPICAL APPROACH SECTION

NOT TO SCALE

NOTE:
PAYMENT FOR FURNISHING AND INSTALLING BOND BREAKER, PIPE INSULATION AND EXPANSION JOINT MATERIAL WILL BE MADE INCIDENTAL TO THE ITEM FOR ADJACENT CONCRETE.



TYPICAL APPROACH SLAB CURB SECTION

NOT TO SCALE

NOTE:
NF = NEAR FACE
FF = FAR FACE
EF = EACH FACE
▲ = CUT TO FIT IN FIELD
3" CLEAR, UNLESS OTHERWISE SPECIFIED ON THE PLANS.
2'-2" BAR LAP UNLESS OTHERWISE SPECIFIED ON THE PLANS.

ALL REINFORCING STEEL SHALL BE EPOXY COATED
WATERPROOFING SHALL NOT BE APPLIED TO APPROACH SLABS

APPROACH SLAB DETAILS

PROJECT NAME:	MORETOWN-MIDDLESEX
PROJECT NUMBER:	BRS 0284(I4)
FILE NAME:	78f219/struc./sf219sup
PROJECT LEADER:	M. EVANS-MONGEON
DESIGNED BY:	S. SCRIBNER
PLOT DATE:	15-JUN-2009
DRAWN BY:	L. DUQUETTE
CHECKED BY:	S. SCRIBNER
SHEET	57 OF 103