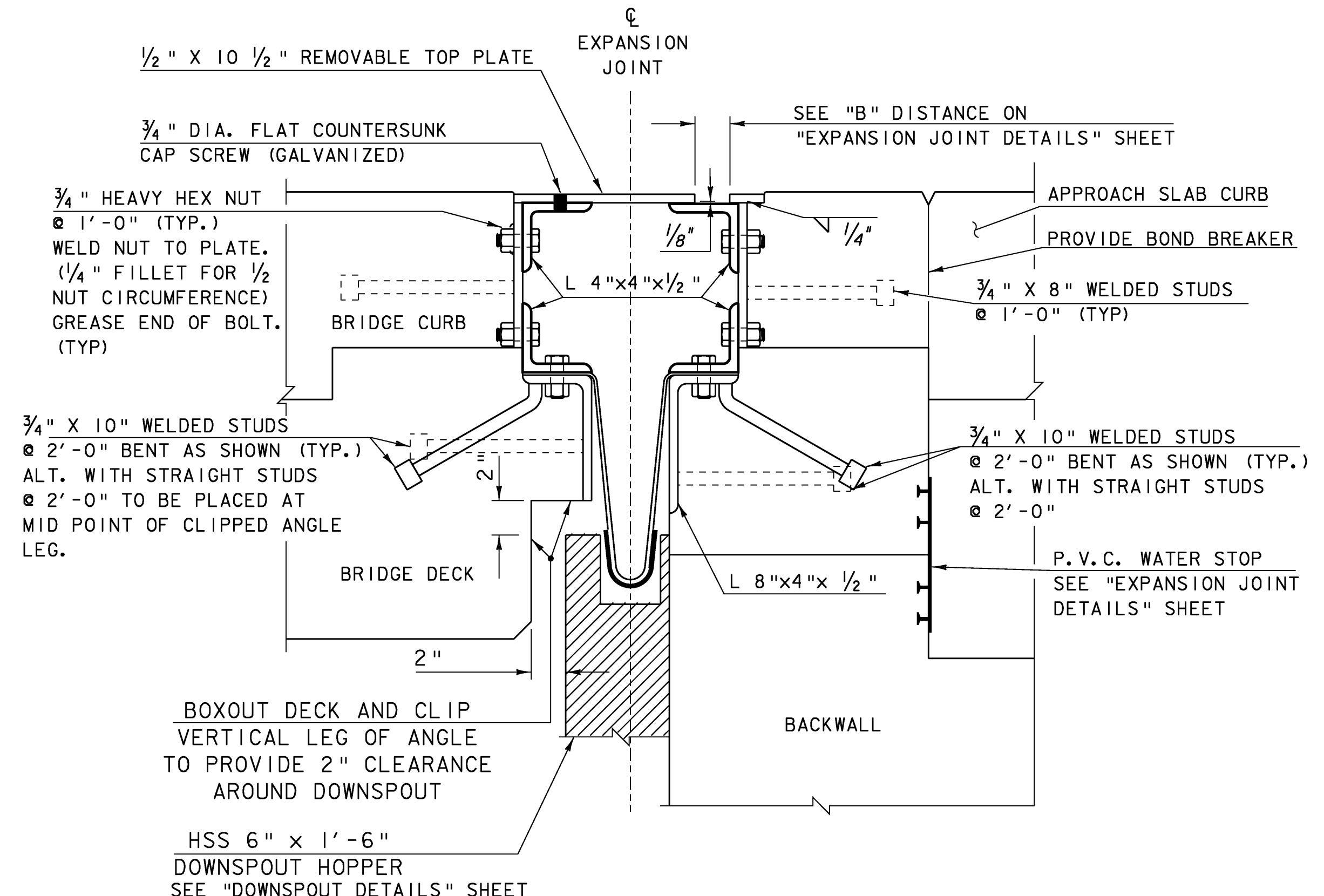
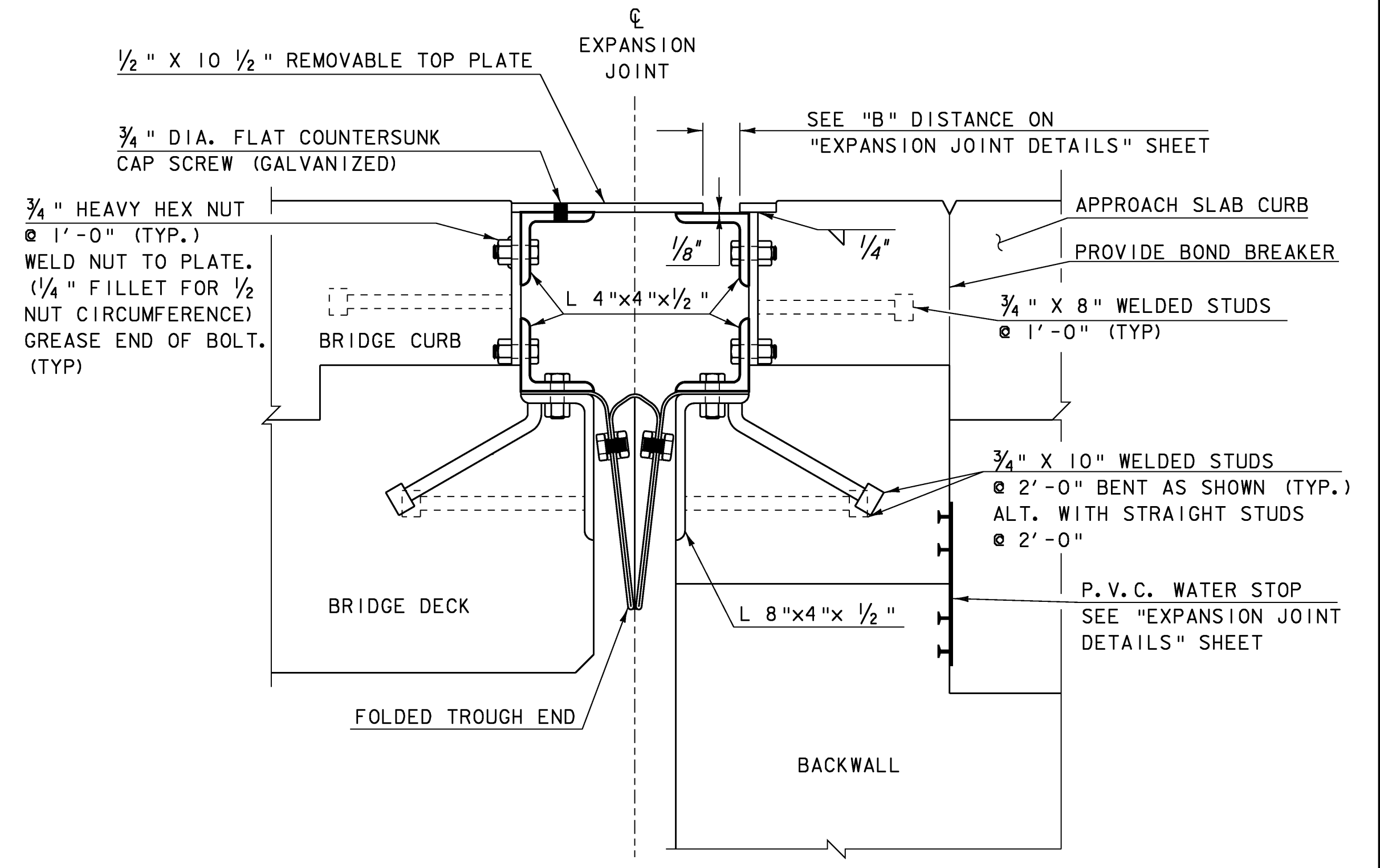


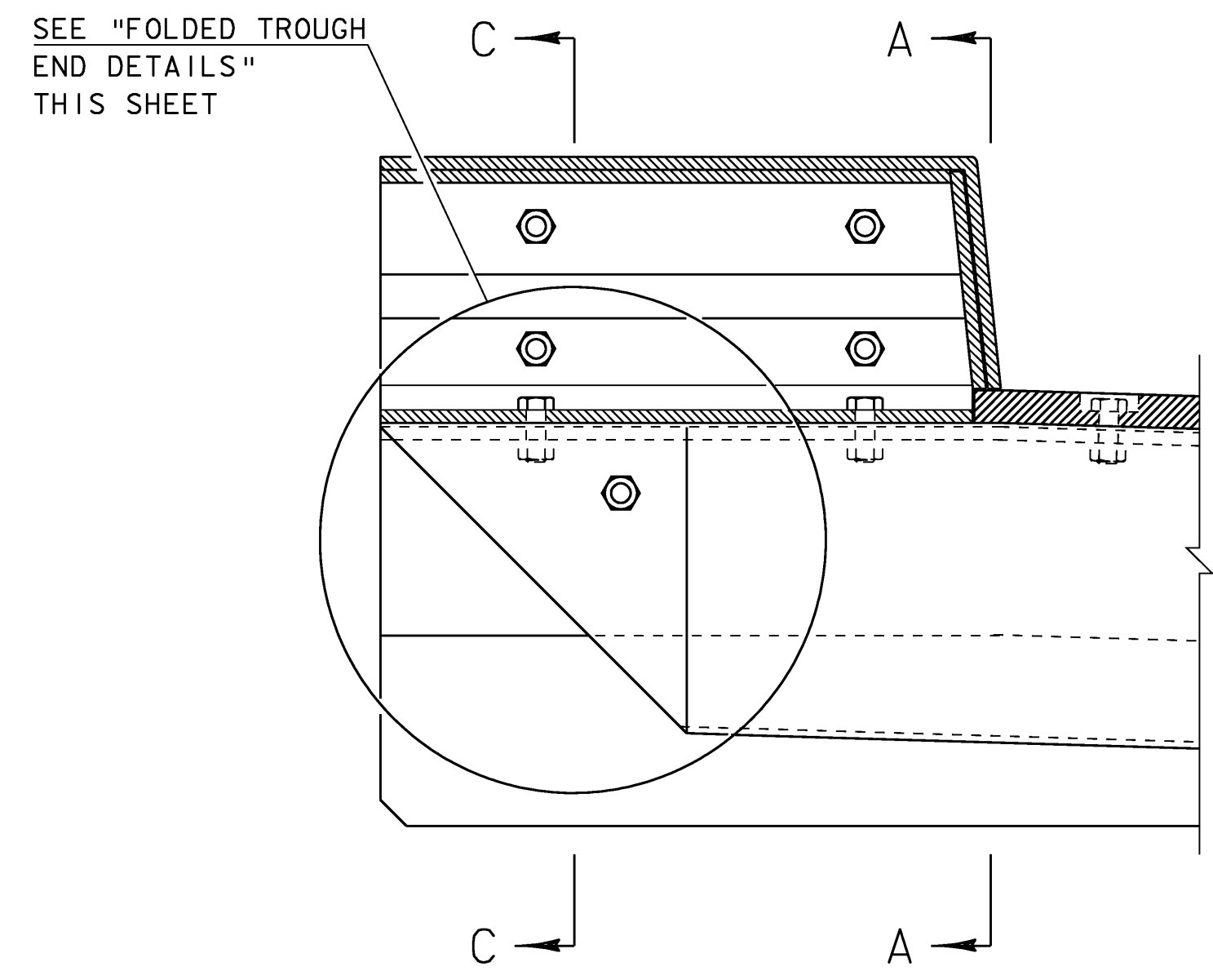
**SECTION A-A**  
NOT TO SCALE



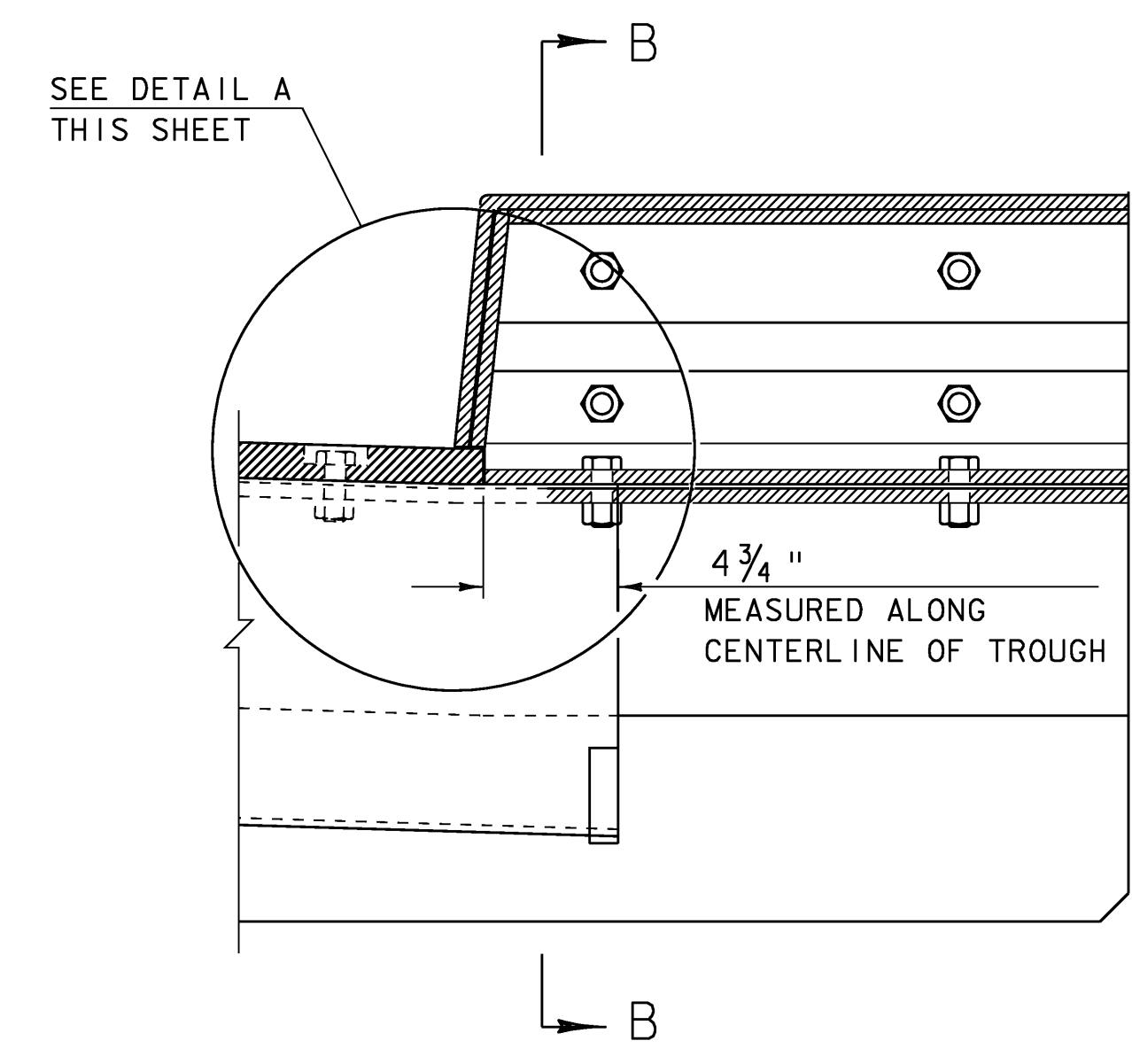
**SECTION B-B**  
NOT TO SCALE



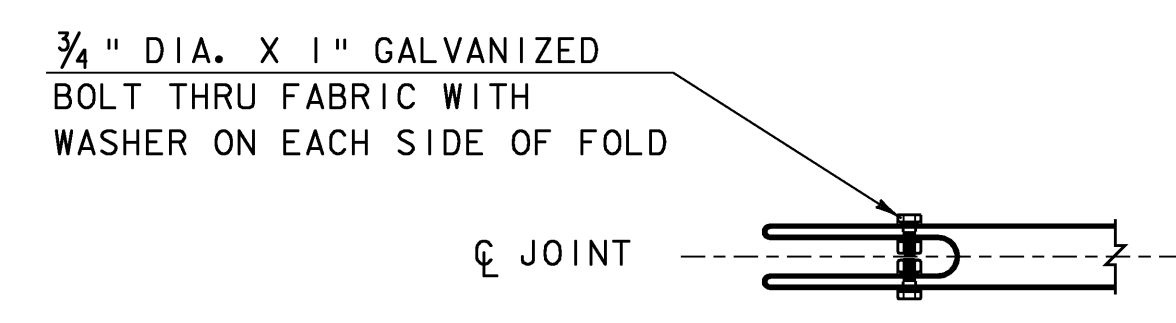
**SECTION C-C**  
NOT TO SCALE



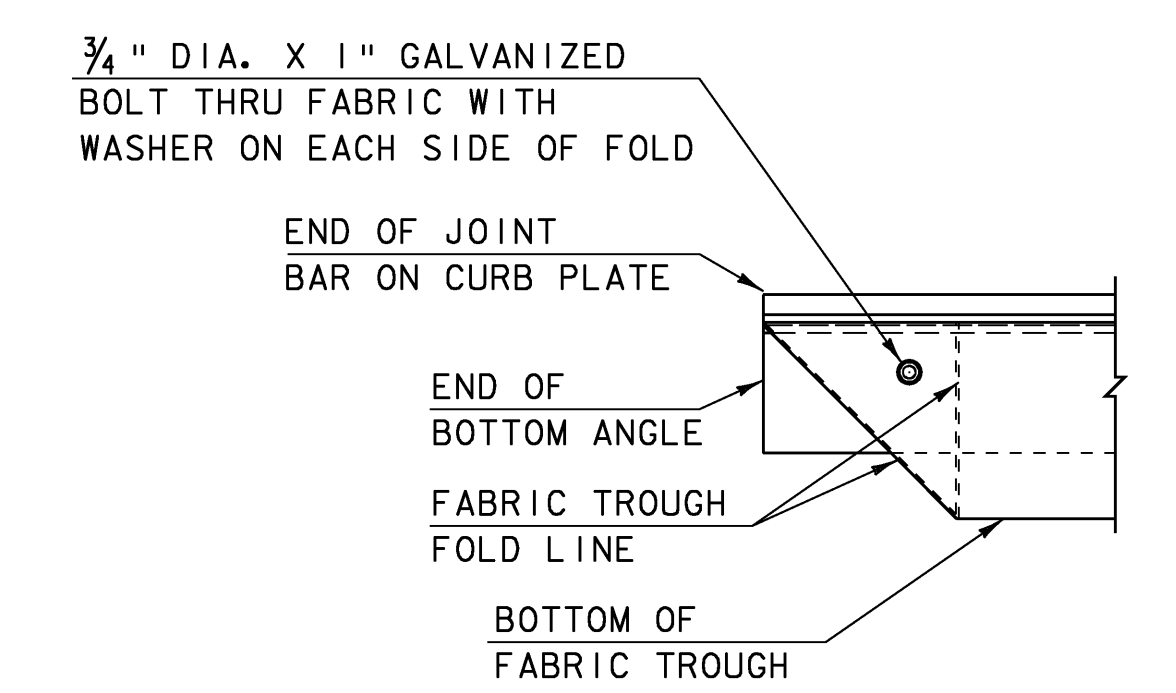
**EXPANSION JOINT AT CURB HIGH END**  
NOT TO SCALE



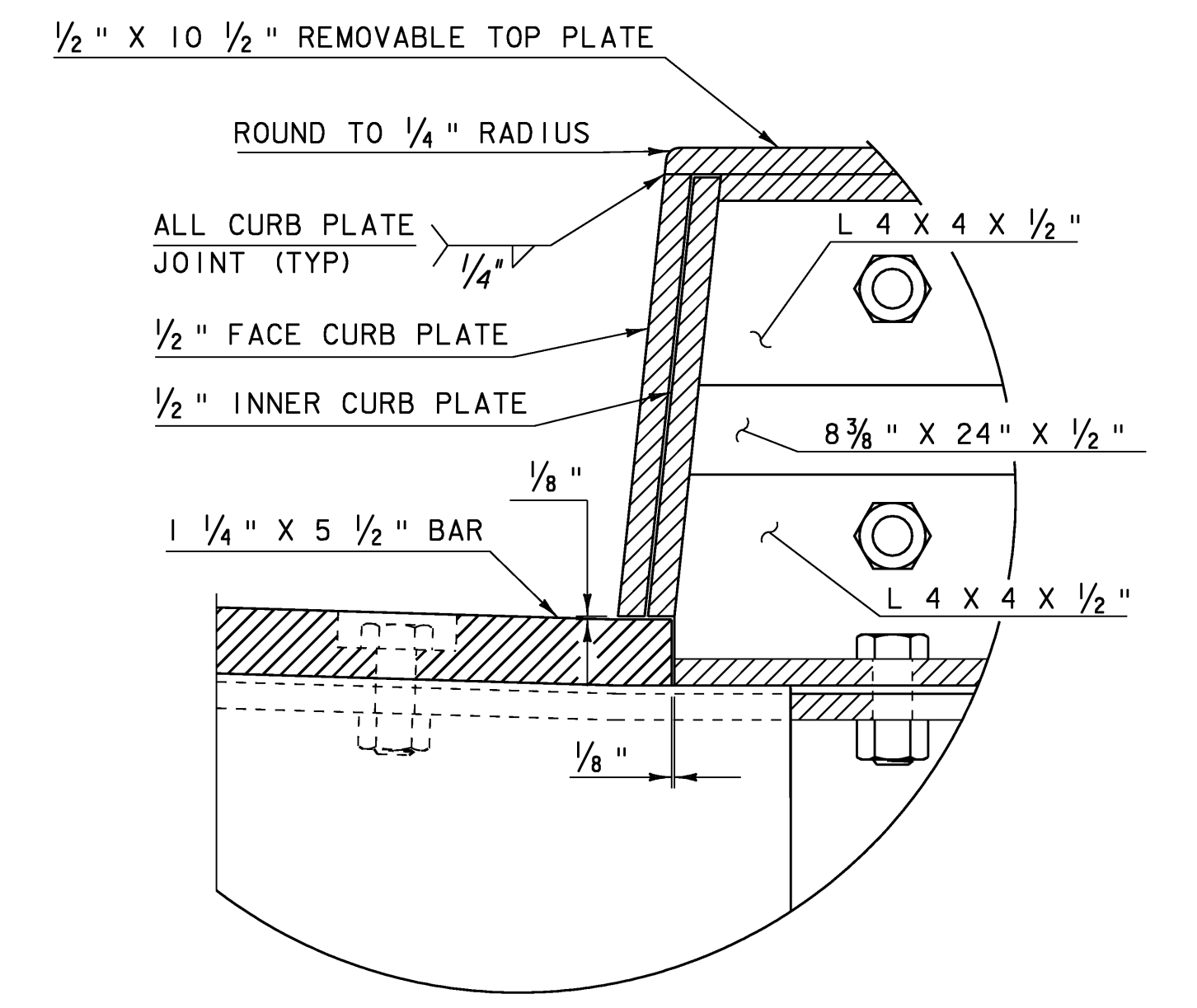
**EXPANSION JOINT AT CURB LOW END**  
NOT TO SCALE



**PLAN VIEW TROUGH FOLD**



**FOLDED TROUGH END DETAILS**  
NOT TO SCALE



**DETAIL A**  
NOT TO SCALE

- NOTES:
1. TROUGH SHALL BE FOLDED ON HIGH SIDE OF BRIDGE ONLY
  2. BOLTS, NUTS AND WASHERS FOR FOLD SHALL MEET REQUIREMENTS OF SUBSECTION 714.04 AND BE GALVANIZED PER AASHTO M 295, CLASS 50, TYPE 1.

**CURB EXPANSION JOINT DETAILS**

PROJECT NAME:	MORETOWN-MIDDLESEX
PROJECT NUMBER:	BRS 0284(14)
FILE NAME:	78f219/struc/sf219sup
PROJECT LEADER:	M. EVANS-MONGEON
DESIGNED BY:	S.SCRIBNER
PLOT DATE:	15-JUN-2009
DRAWN BY:	G.ROKES
CHECKED BY:	S.SCRIBNER
SHEET	56 OF 103