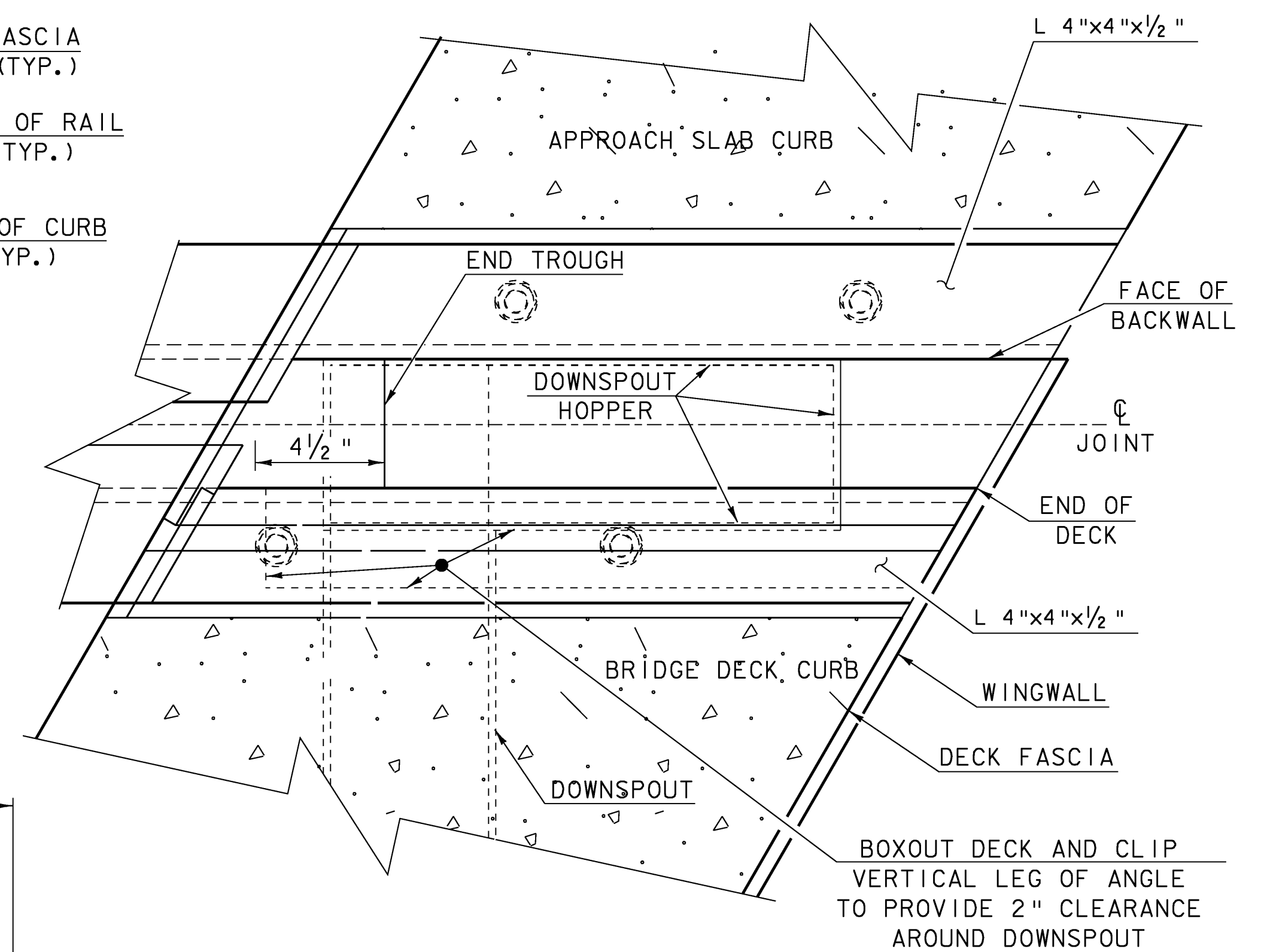
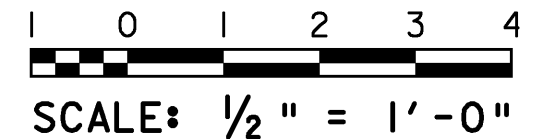
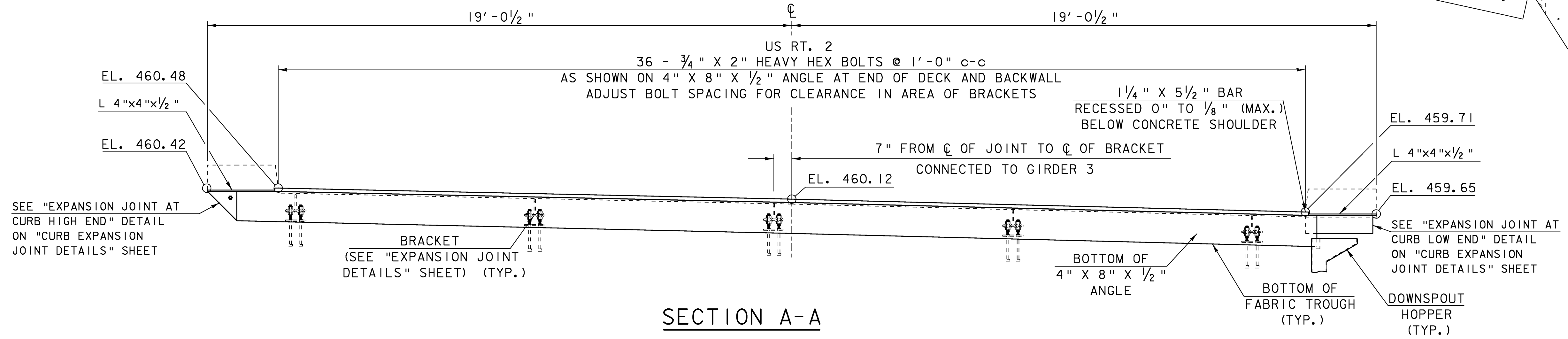
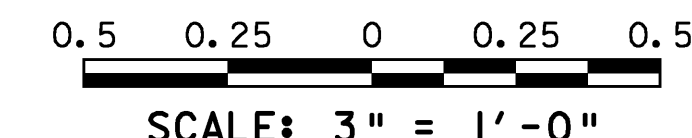


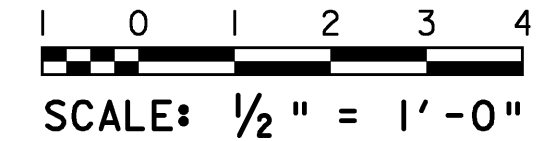
**BRIDGE EXPANSION JOINT PLAN  
AT ABUTMENT NO. 1**



**DETAIL "A"**



**SECTION A-A**



**EXPANSION JOINT PLAN ABUTMENT 1**

PROJECT NAME:	MORETOWN-MIDDLESEX
PROJECT NUMBER:	BRS 0284(14)
FILE NAME:	78f219/struc./sf219sup
PROJECT LEADER:	M. EVANS-MONGEON
DESIGNED BY:	S. SCRIBNER
PLOT DATE:	15-JUN-2009
DRAWN BY:	G. ROKES
CHECKED BY:	S. SCRIBNER
SHEET	53 OF 103