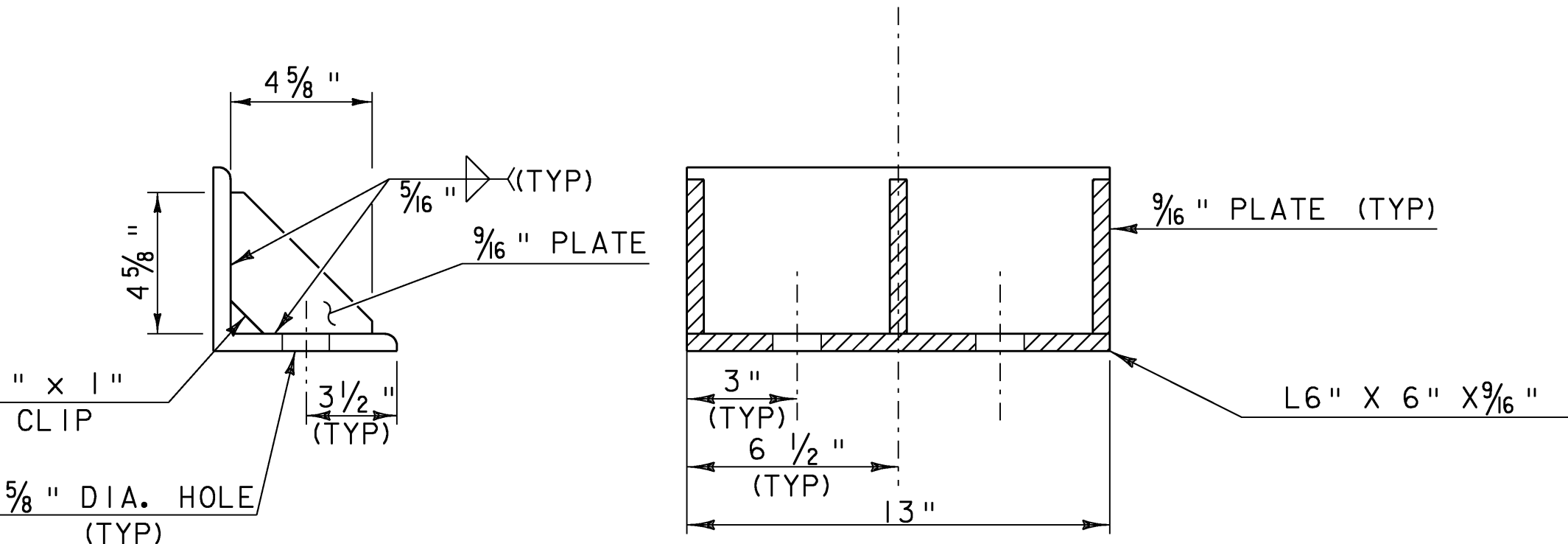


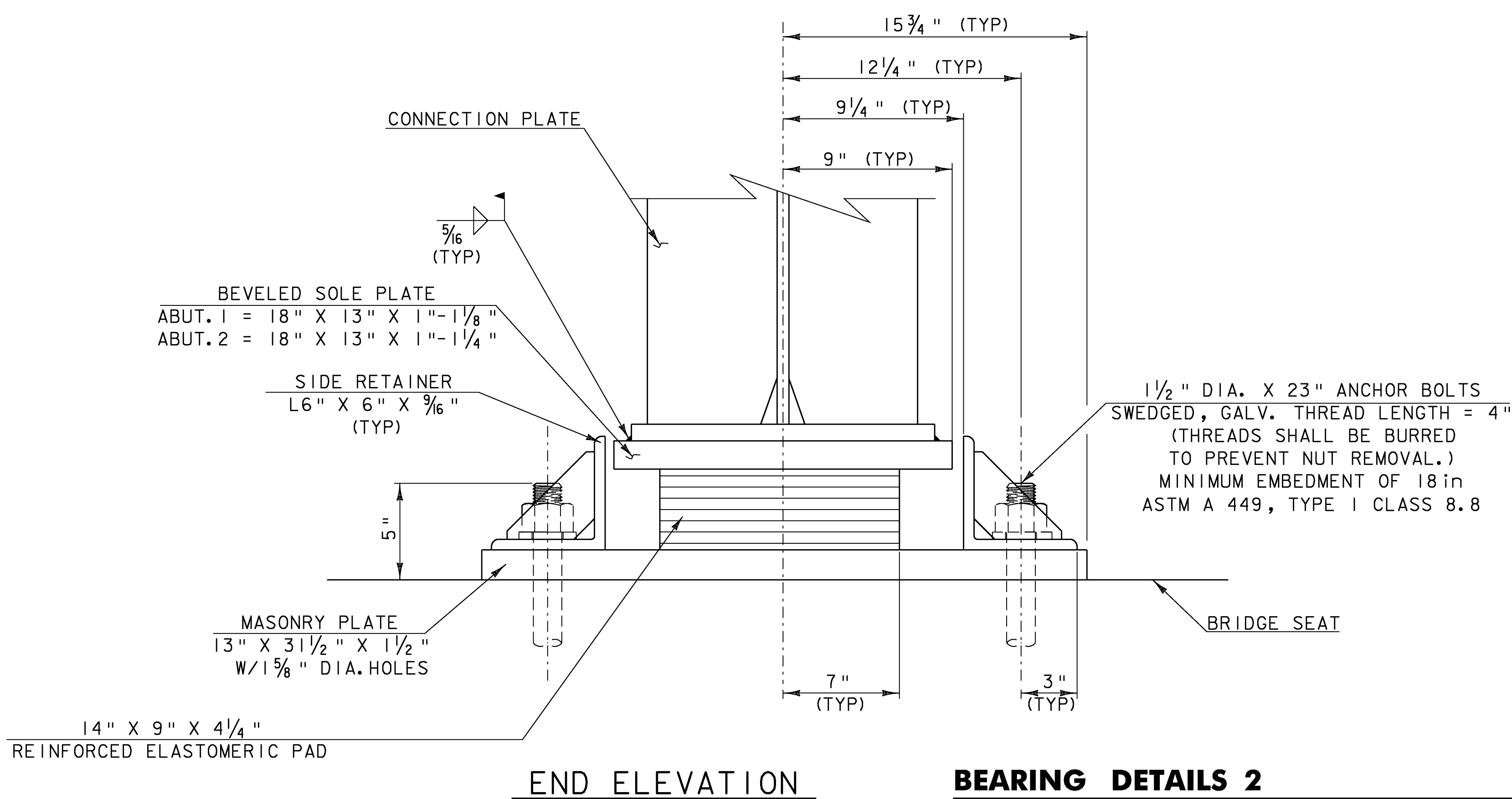
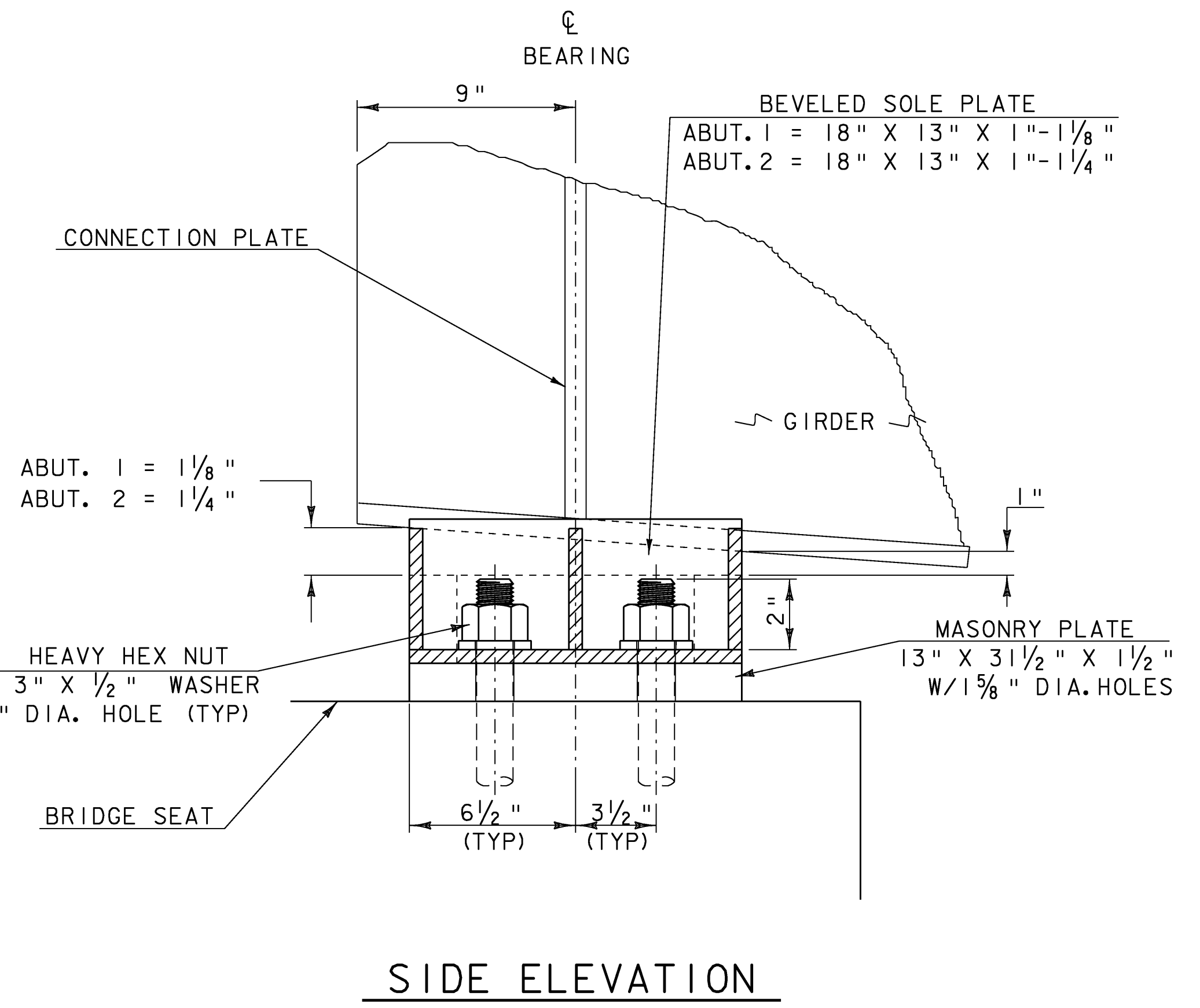
ELASTOMERIC BEARING CONFIGURATION



SIDE RETAINER

ABUT. 1 & 2 EXPANSION BEARING DETAILS

NOT TO SCALE



BEARING DETAILS 2

PROJECT NAME:	MORETOWN-MIDDLESEX
PROJECT NUMBER:	BRS 0284(14)
FILE NAME:	78f219/struc./sf219sup
PROJECT LEADER:	M. EVANS-MONGEON
DESIGNED BY:	S. SCRIBNER
PLOT DATE:	15-JUN-2009
DRAWN BY:	G. ROKES
CHECKED BY:	S. SCRIBNER
SHEET	51 OF 103