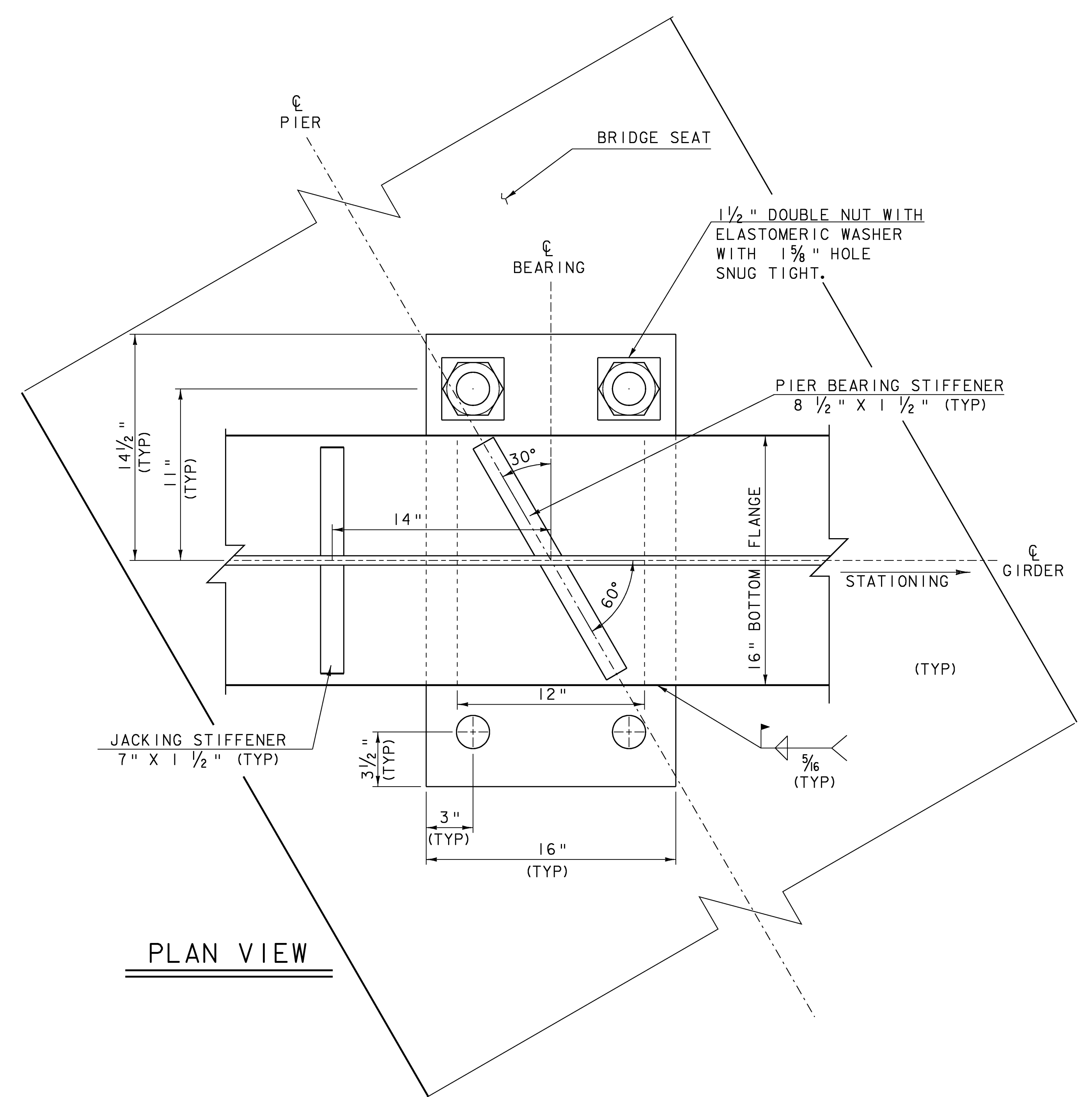
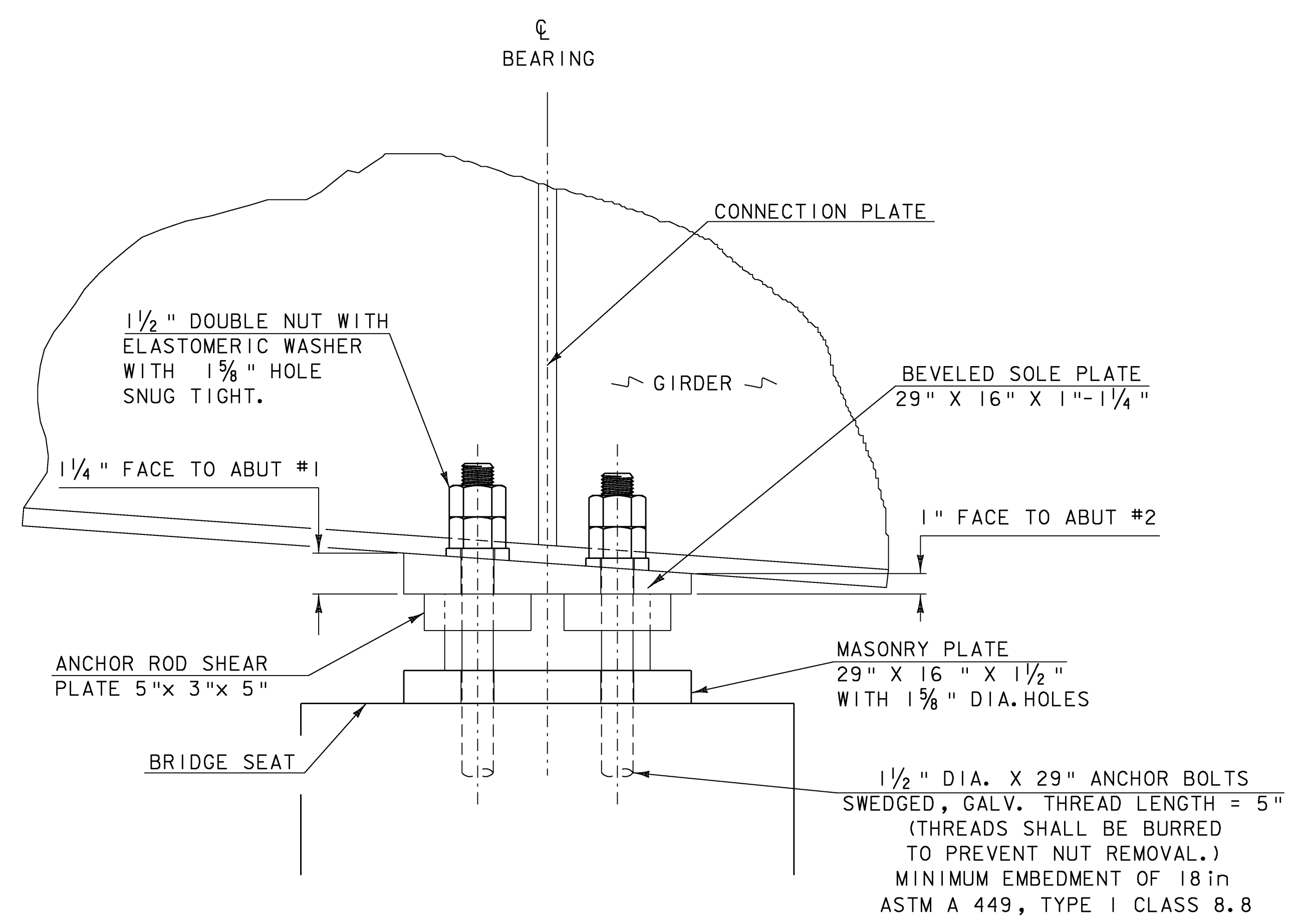


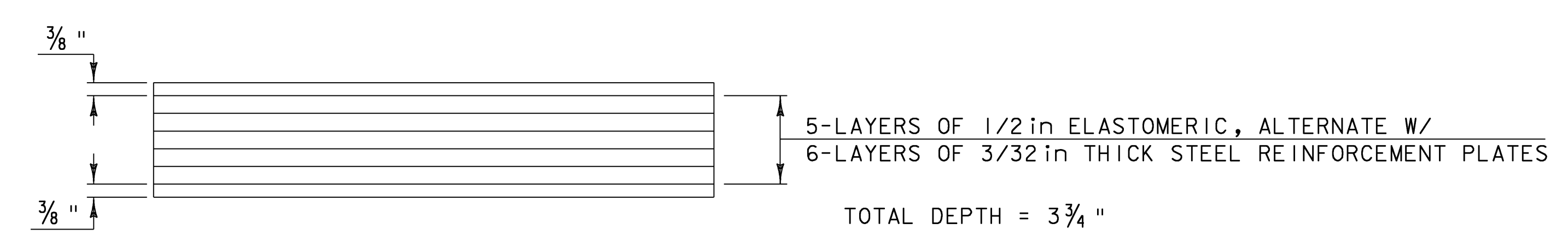
END ELEVATION



PLAN VIEW



SIDE ELEVATION



ELASTOMERIC BEARING CONFIGURATION

PIER FIXED BEARING DETAILS

NOT TO SCALE

BEARING DETAILS 1

PROJECT NAME:	MORETOWN-MIDDLESEX
PROJECT NUMBER:	BRS 0284(14)
FILE NAME:	78f219/struc./sf219sup
PROJECT LEADER:	M. EVANS-MONGEON
DESIGNED BY:	S.SCRIBNER
PLOT DATE:	15-JUN-2009
DRAWN BY:	G.ROKES
CHECKED BY:	S.SCRIBNER
SHEET	50 OF 103