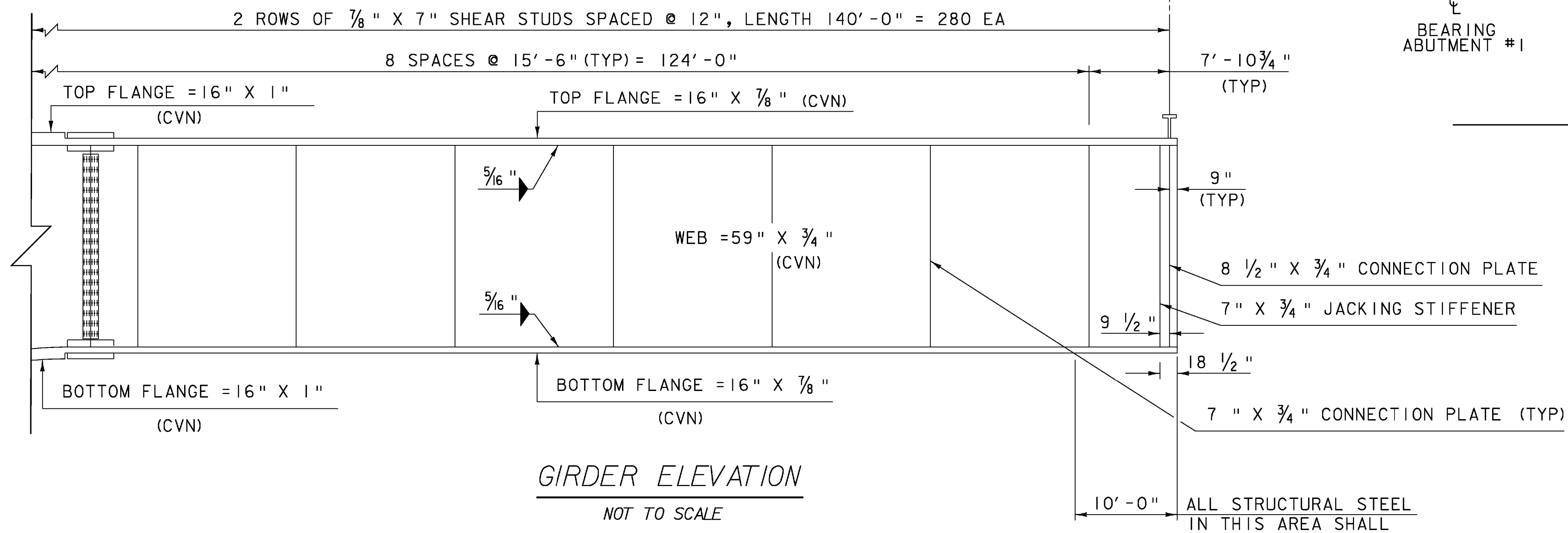
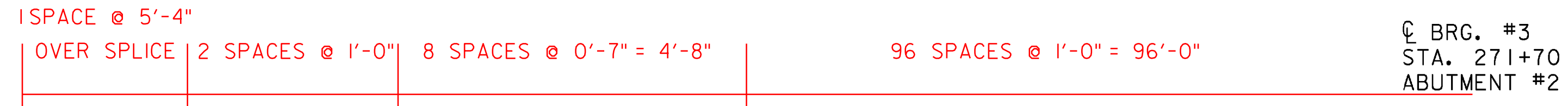


FRAMING PLAN

SCALE 1/8" = 1'-0"
 1 0 2 4 6 8

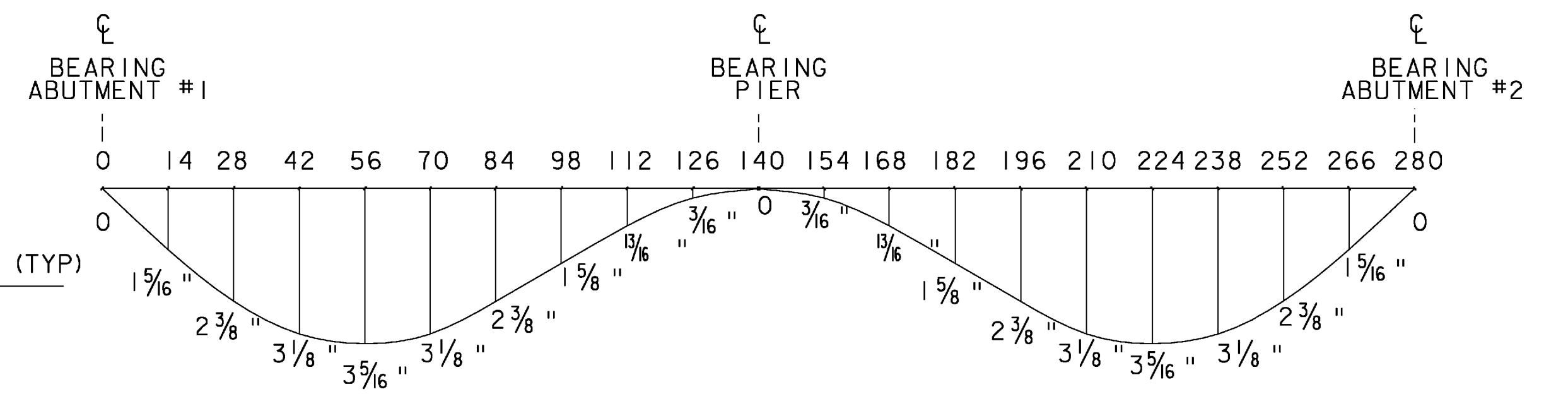
SHEAR STUD SPACING SYMMETRICAL ABOUT \bar{C} BRG. PIER TOTAL STUDS PER SPAN 248



GIRDER ELEVATION

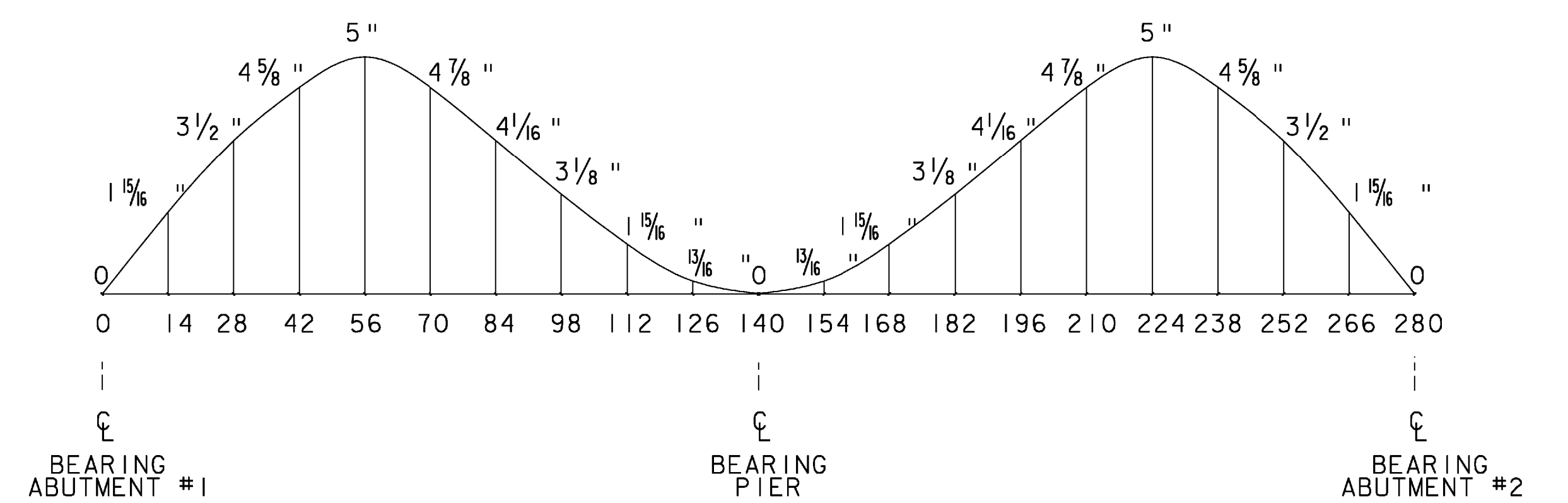
NOT TO SCALE

ALL STRUCTURAL STEEL IN THIS AREA SHALL BE SHOP PAINTED SEE NOTE 4 ON "STRUCTURAL STEEL DETAILS" SHEET.



DEAD LOAD DEFLECTION DIAGRAM

NOT TO SCALE



CAMBER DIAGRAM

NOT TO SCALE

NOTE: CAMBER AND DEFLECTION MEASUREMENTS ARE GIVEN IN INCHES TO THE NEAREST SIXTEENTH. MEASUREMENTS INCLUDE GIRDER SELF-WEIGHT

NOTES:

1. CVN - SHALL MEET CHARPY V-NOTCH REQUIREMENTS FOR MAIN MEMBERS AS INDICATED IN SECTION 714.
2. ALL STRUCTURAL STEEL, EXCEPT FOR THE DOWNSPOUTS SHALL BE AASHTO M270M/M270GR 50W.

FRAMING PLAN SHEET 2

PROJECT NAME:	MORETOWN-MIDDLESEX
PROJECT NUMBER:	BRS 0284(I4)
FILE NAME:	78f219/struc./sf219sup
PROJECT LEADER:	M. EVANS-MONGEON
DESIGNED BY:	S. SCRIBNER
PLOT DATE:	15-JUN-2009
DRAWN BY:	G.ROKES
CHECKED BY:	S. SCRIBNER
SHEET	47 OF 103