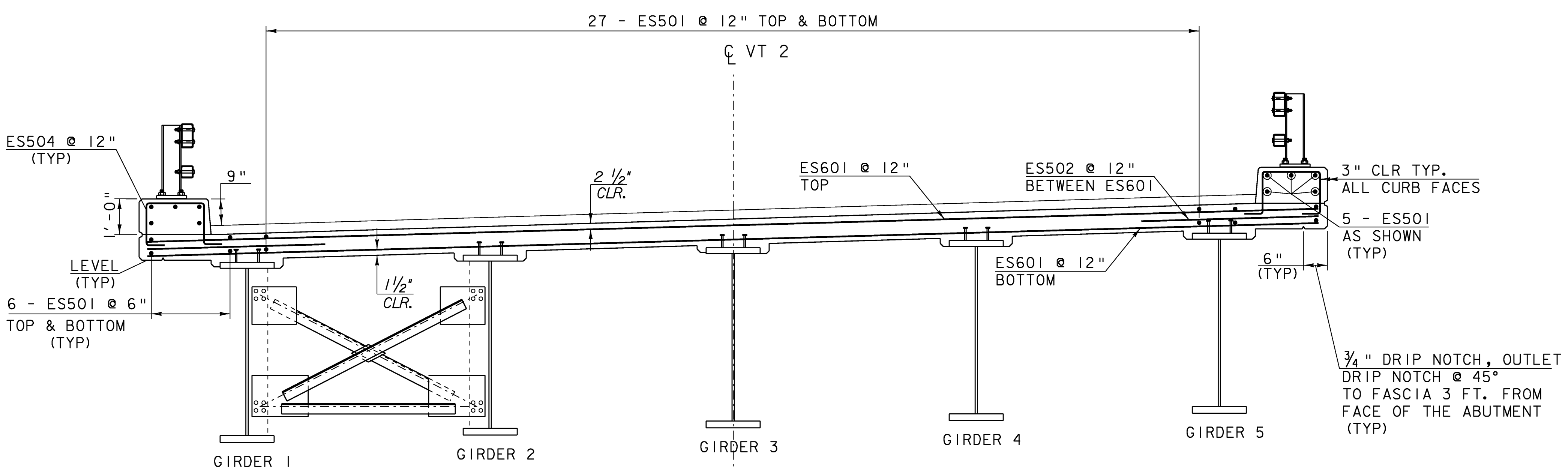


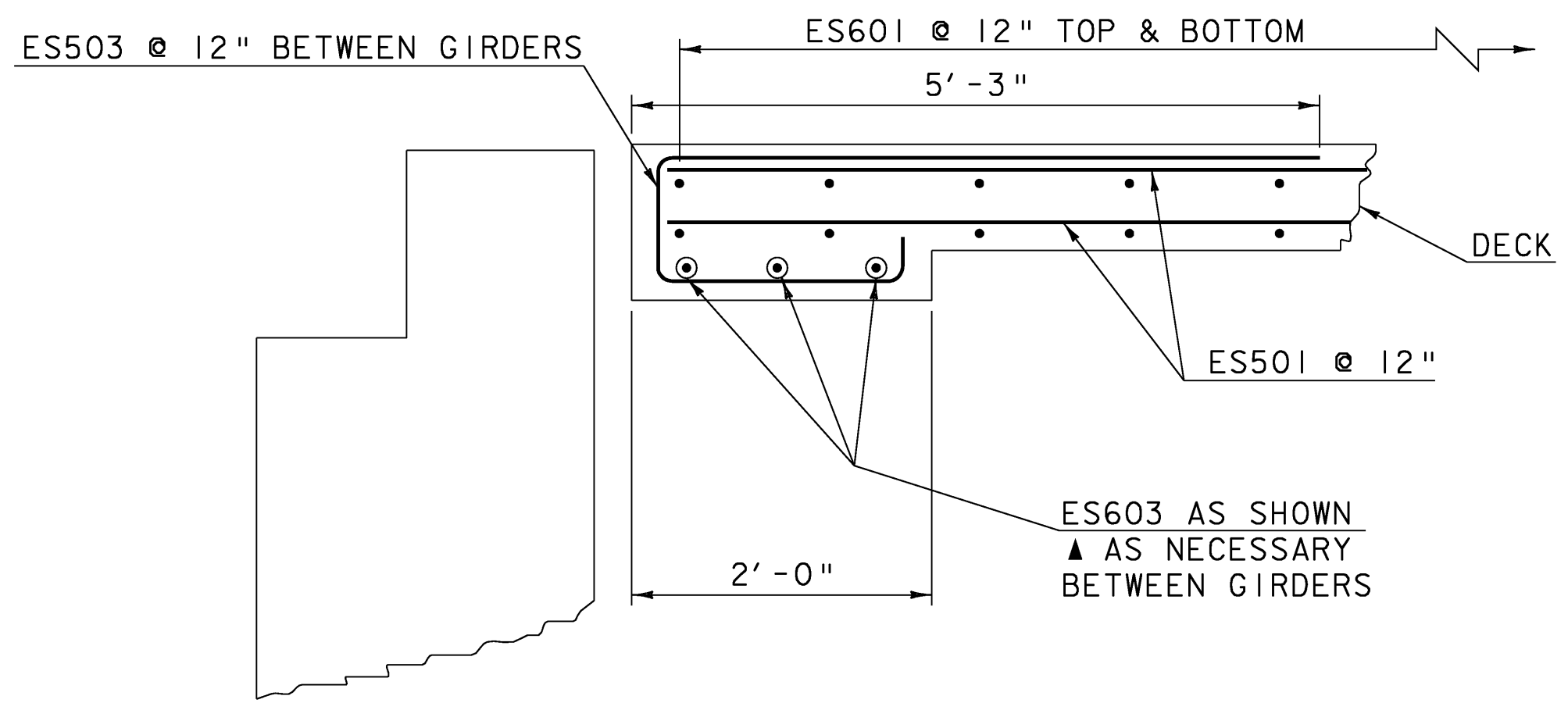
DECK REINFORCING PLAN

SCALE 1/4" = 1'-0"  
 0 2 4 6



TYPICAL BRIDGE SECTION

SCALE 1/2" = 1'-0"  
 0 1 2



SECTION A-A (TYP)  
 NOT TO SCALE

NOTE:  
 NF = NEAR FACE  
 FF = FAR FACE  
 EF = EACH FACE  
 ▲ = CUT TO FIT IN FIELD  
 3" CLEAR, UNLESS OTHERWISE SPECIFIED ON THE PLANS.  
 2'-2" BAR LAP UNLESS OTHERWISE SPECIFIED ON THE PLANS.

DECK REINFORCING PLAN	
PROJECT NAME:	MORETOWN-MIDDLESEX
PROJECT NUMBER:	BRS 0284(I4)
FILE NAME:	78f219/struc./sf219sup
PROJECT LEADER:	M. EVANS-MONGEON
DESIGNED BY:	S. SCRIBNER
PLOT DATE:	15-JUN-2009
DRAWN BY:	G.ROKES
CHECKED BY:	S. SCRIBNER
SHEET	45 OF 103