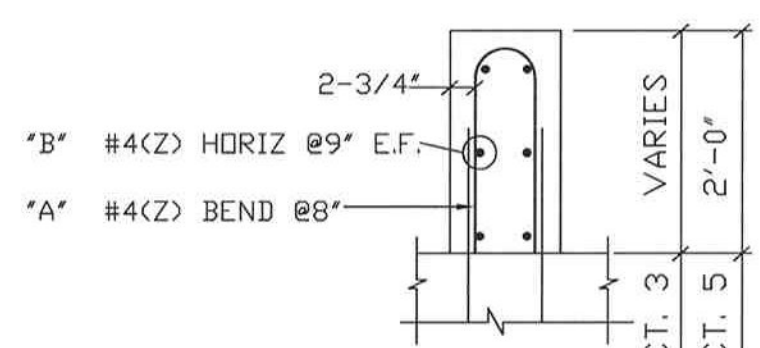
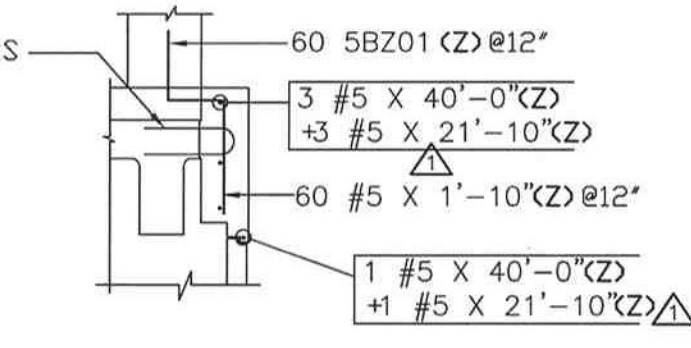
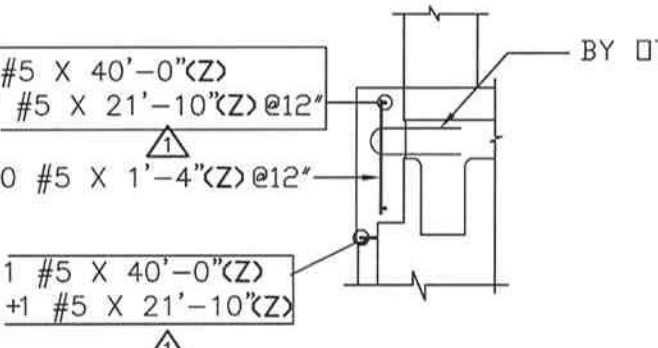
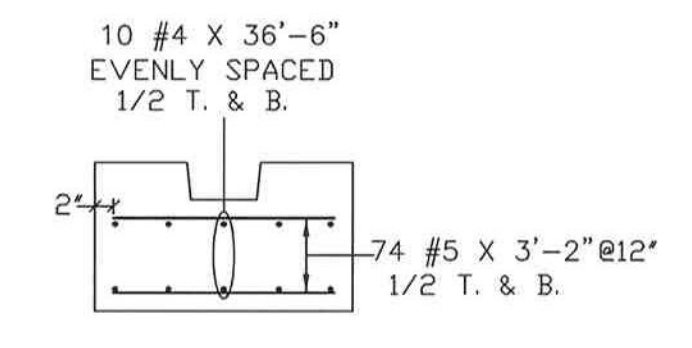
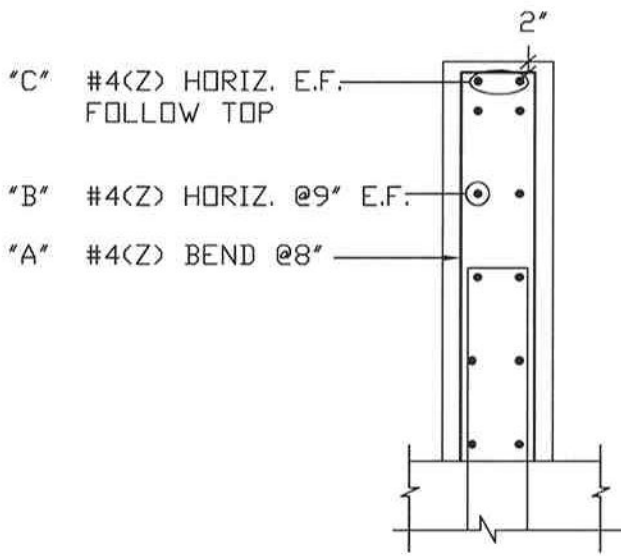


PANEL CLOSURE POURS
FLD. ADJ. AS REQ.
CONTRACT REF. SHEET 75



SECT. 1
EAST SIDE COPING REINF.
CONTRACT REF. SHEET 80

SECT. 2
WEST SIDE COPING REINF.
CONTRACT REF. SHEET 80

SECT. 3/SECT. 5
CONTRACT REF. SHEET 79

SECT. 4
CONTRACT REF. SHEET 80

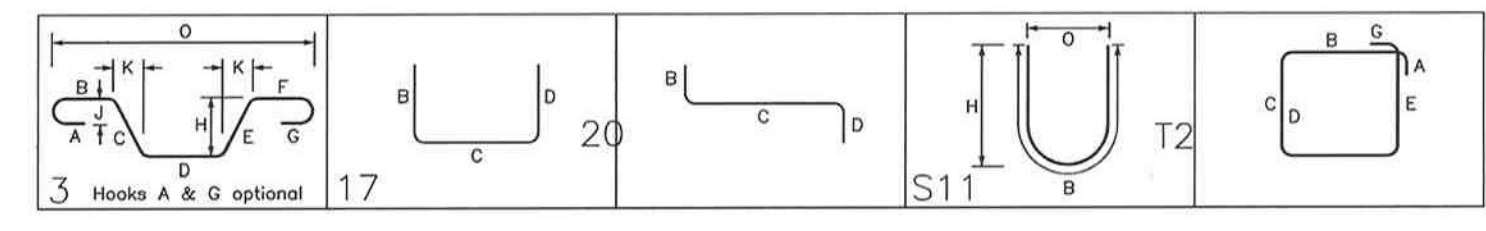
ARCH FOOTING
37'-0" X 3'-6" X 2'-0"
2 THUS
CONTRACT REF. SHEET 70

Release Number: 005				BAR LIST															
Bar Mark	Qty	Size	Total Length	Type	'A'	'B'	'C'	'D'	'E'	'F'	'G'	'H'	'I'	'J'	'K'	'L'	'M'	'N'	
5B201	60	#5	2'-6"	T2			0'-10"	0'-10"											

Release Number: 006				BAR LIST															
Bar Mark	Qty	Size	Total Length	Type	'A'	'B'	'C'	'D'	'E'	'F'	'G'	'H'	'I'	'J'	'K'	'L'	'M'	'N'	
4B201	2	#4	5'-10 1/2"	S11			2'-8"	0'-6 1/2"	2'-8"										
4B202	2	#4	6'-4 1/2"	S11			2'-11"	0'-6 1/2"	2'-11"										
4B203	2	#4	6'-10 1/2"	S11			3'-2"	0'-6 1/2"	3'-2"										
4B204	2	#4	7'-4 1/2"	S11			3'-5"	0'-6 1/2"	3'-5"										
4B205	10	#4	7'-6 1/2"	S11			3'-6"	0'-6 1/2"	3'-6"										
4B206	5	#4	6'-0 1/2"	S11			6'-0 1/2"									2'-11"			0'-6 1/2"
4B207	6	#4	5'-10 1/2"	S11			5'-10 1/2"									2'-10"			0'-6 1/2"
4B208	6	#4	5'-8 1/2"	S11			5'-8 1/2"									2'-9"			0'-6 1/2"
4B209	6	#4	5'-6 1/2"	S11			5'-6 1/2"									2'-8"			0'-6 1/2"
4B210	5	#4	5'-4 1/2"	S11			5'-4 1/2"									2'-7"			0'-6 1/2"
4B211	6	#4	5'-2 1/2"	S11			5'-2 1/2"									2'-6"			0'-6 1/2"
4B212	6	#4	5'-0 1/2"	S11			5'-0 1/2"									2'-5"			0'-6 1/2"
4B213	5	#4	4'-10 1/2"	S11			4'-10 1/2"									2'-4"			0'-6 1/2"
4B214	4	#4	5'-2 1/2"	S			2'-9"	2'-5 1/2"								0'-9 1/2"		2'-4 1/2"	5'-1 1/2"
4B222	45	#4	4'-8 1/2"	S11			4'-8 1/2"									2'-3"			0'-6 1/2"
4B223	64	#4	3'-8 1/2"	S11			3'-8 1/2"									1'-9"			0'-6 1/2"

Release Number: 007				BAR LIST															
Bar Mark	Qty	Size	Total Length	Type	'A'	'B'	'C'	'D'	'E'	'F'	'G'	'H'	'I'	'J'	'K'	'L'	'M'	'N'	
4B201	2	#4	5'-10 1/2"	S11			2'-8"	0'-6 1/2"	2'-8"										
4B202	2	#4	6'-4 1/2"	S11			2'-11"	0'-6 1/2"	2'-11"										
4B203	2	#4	6'-10 1/2"	S11			3'-2"	0'-6 1/2"	3'-2"										
4B204	2	#4	7'-4 1/2"	S11			3'-5"	0'-6 1/2"	3'-5"										
4B205	10	#4	7'-6 1/2"	S11			3'-6"	0'-6 1/2"	3'-6"										

Release Number: 008				BAR LIST															
Bar Mark	Qty	Size	Total Length	Type	'A'	'B'	'C'	'D'	'E'	'F'	'G'	'H'	'I'	'J'	'K'	'L'	'M'	'N'	
4B01	22	#4	5'-9"	T2			0'-4 1/2"	0'-9"	1'-9"	0'-9"	1'-9"					0'-4 1/2"			
5B01	8	#5	2'-1"	T2			0'-10"	1'-3"											



SHOP DRAWING REVIEW

REVIEWED AS REQUIRED BY THE CONSTRUCTION CONTRACT DOCUMENTS AND APPROVED, BUT ONLY FOR CONFORMANCE TO THE DESIGN CONCEPT OF THE WORK, AND SUBJECT TO FURTHER LIMITATIONS AND REQUIREMENTS CONTAINED IN THE CONSTRUCTION CONTRACT DOCUMENTS.

REJECTED REVISE AND RESUBMIT FURNISH AS CORRECTED

CORRECTIONS OR COMMENTS MADE ON THE SHOP DRAWINGS DURING THIS REVIEW DO NOT RELIEVE CONTRACTOR FROM COMPLIANCE WITH REQUIREMENTS OF THE DRAWINGS AND SPECIFICATIONS. THIS CHECK IS ONLY FOR REVIEW OF GENERAL CONFORMANCE WITH THE DESIGN CONCEPT OF THE PROJECT AND GENERAL COMPLIANCE WITH THE INFORMATION GIVEN IN THE CONTRACT DOCUMENTS. THE CONTRACTOR IS RESPONSIBLE FOR CONFIRMING AND CORRELATING ALL QUANTITIES AND DIMENSIONS; SELECTING FABRICATION PROCESSES AND TECHNIQUES OF CONSTRUCTION; COORDINATING HIS WORK WITH THAT OF ALL OTHER TRADES; AND PERFORMING HIS WORK IN A SAFE AND SATISFACTORY MANNER.

VHB
Vanessa Hangan Bruehl, Inc.
Job Number: 57438.00
Reviewed By: B. M...
Date: 3-21-14

Z BAR	
LAP CHART	
BAR SIZE	LAP
#4	2'-0"
#5	2'-6"

ELEVATIONS & DIMENSIONS SHOWN ON THIS DWG. ARE FOR REINF. DETAILING PURPOSES ONLY AND ARE NOT INTENDED FOR CONSTRUCTION.

REINF. BARS ASTM A615 GRADE 60

DUAL COAT REINF. BARS ASTM A615 GRADE 60 MARKED (Z)

VERIFICATION OF UNCLEAR INFORMATION MAY BE REQUESTED ON THIS DRAWING. SHOULD VERIFICATION BE LEFT UN-ADDRESSED IT WILL REMAIN AS SHOWN AND ASSUMED TO BE CORRECT.

FOR APPROVAL

LEGEND:
CONT.-CONTINUOUS
TRANS.-TRANSVERSE
DWLS.-DOWELS
VERTS.-VERTICAL
HORIZ.-HORIZONTAL
T&B -TOP & BOTTOM
I.F.-INNER FACE
O.F.-OUTER FACE
E.E.-EACH END
E.F.-EACH FACE
F.F.-FRONT FACE
R.F.-REAR FACE
E.W.-EACH WAY
D.C.-ON CENTER
L.W.-LONG WAY
S.W.-SHORT WAY

6			
5			
4			
3			
2	03/18/14	REVD/ENG. COMM./APPROVAL	
1	03/05/14	APPROVAL	
DATE	REV.#	SENT FOR	
DIMENSION			
DIMENSION FABRICATORS INC.			
STRUCTURE	VTAOT MIDDLEBURY RS 0174(B)		
LOCATION	VT RT 125 OVER MIDDLEBURY RIVER MIDDLEBURY VT.		
ARCHITECT	VHB		
CUSTOMER	T BUCK CONSTRUCTION, INC.		
DRAWN BY	DATE	DATE	DT #
WAYNE	03/05/14		8760
PARAPETS/ ARCH FTGS., CROWN BEAM & CLOSURE POUR REINF.	DRAWING #		B

Vermont Agency of Transportation
RECEIVED
ON: **March 18, 2014**
and Checked for
CONFORMANCE
BY: Jennifer Fitch DATE: 03/24/2014