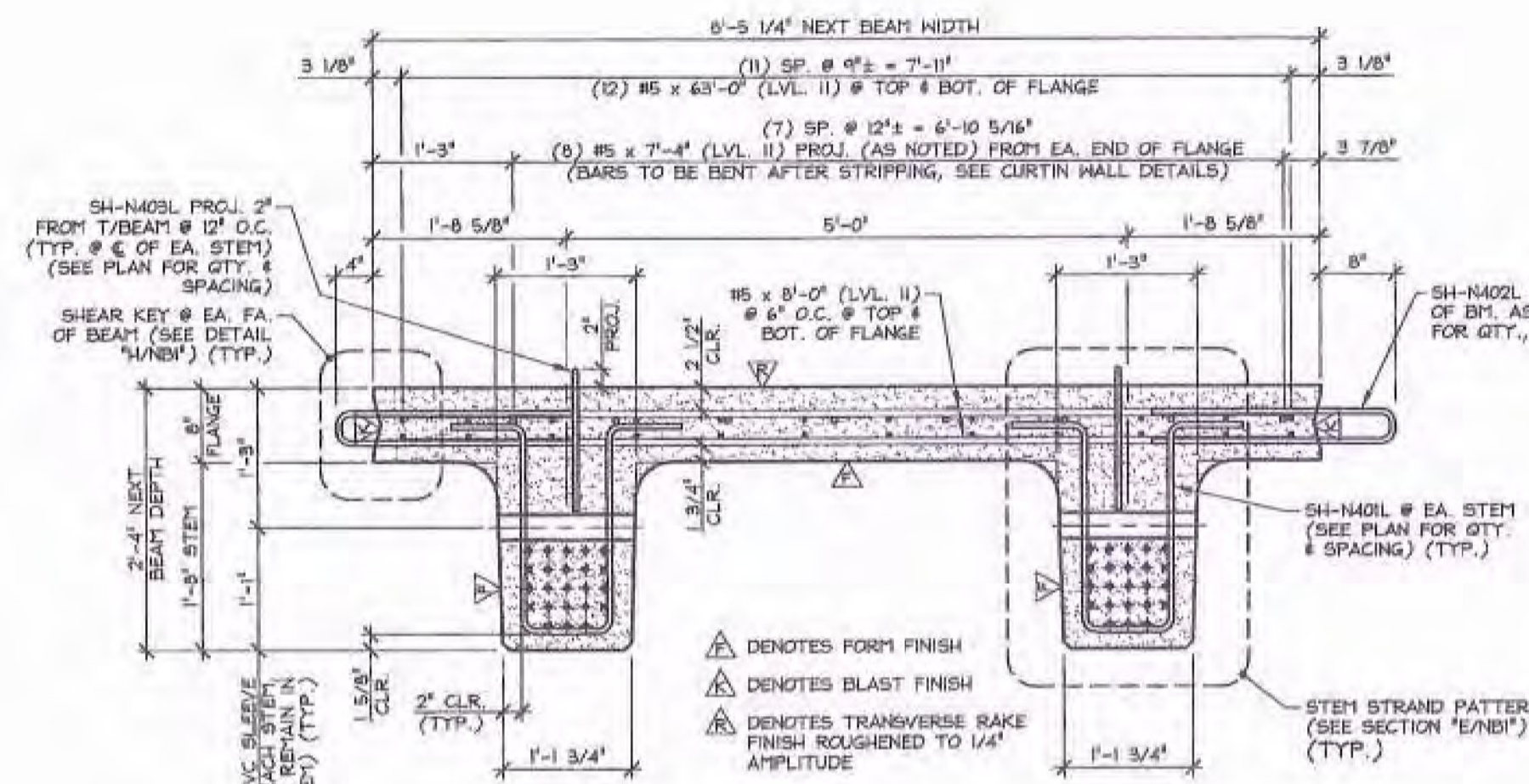
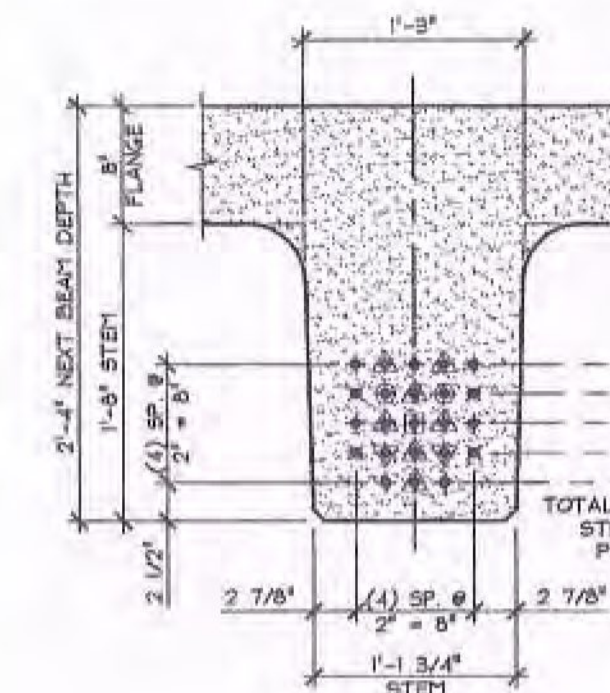


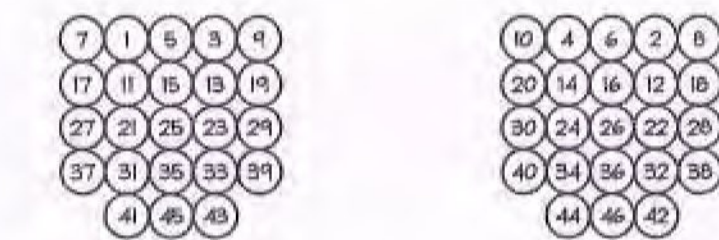
A DIMENSIONAL & REINFORCING SECTION
 NBI
 - BEAMS "SH-NB2" & "SH-NB3"
 - SEE INDIVIDUAL BEAM DETAILS FOR WATER MAIN SUPPORT INSERTS.
 3/4" = 1'-0"



B DIMENSIONAL & REINFORCING SECTION
 NBI
 - BEAMS "SH-NB1" & "SH-NB4"
 - SEE INDIVIDUAL BEAM DETAILS FOR ADDITIONAL COMPOSITE REINFORCING PROJECTING FROM TOP OF BEAM.
 3/4" = 1'-0"



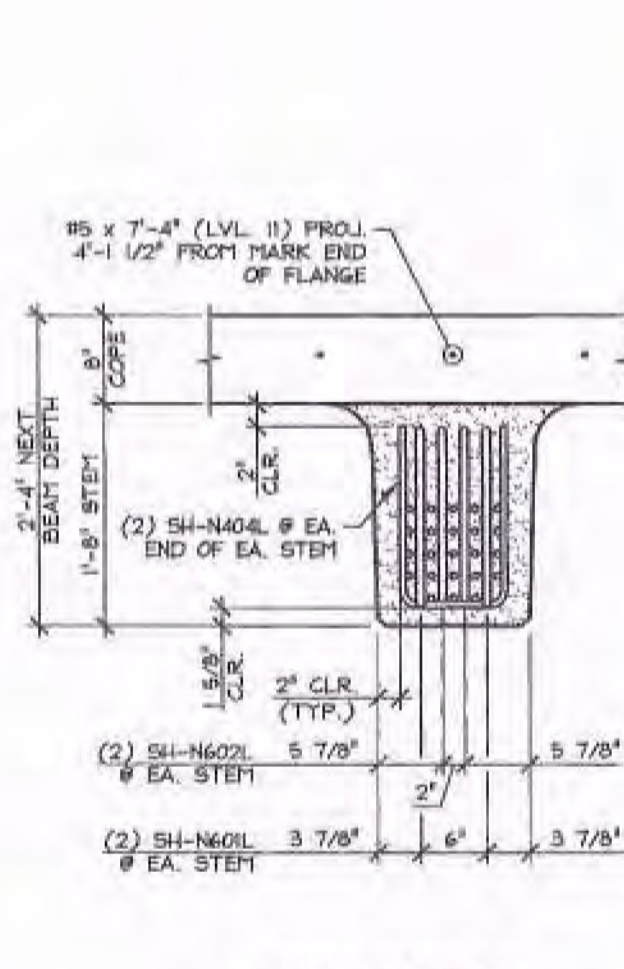
E STEM STRAND PATTERN
 NBI
 1" = 1'-0"



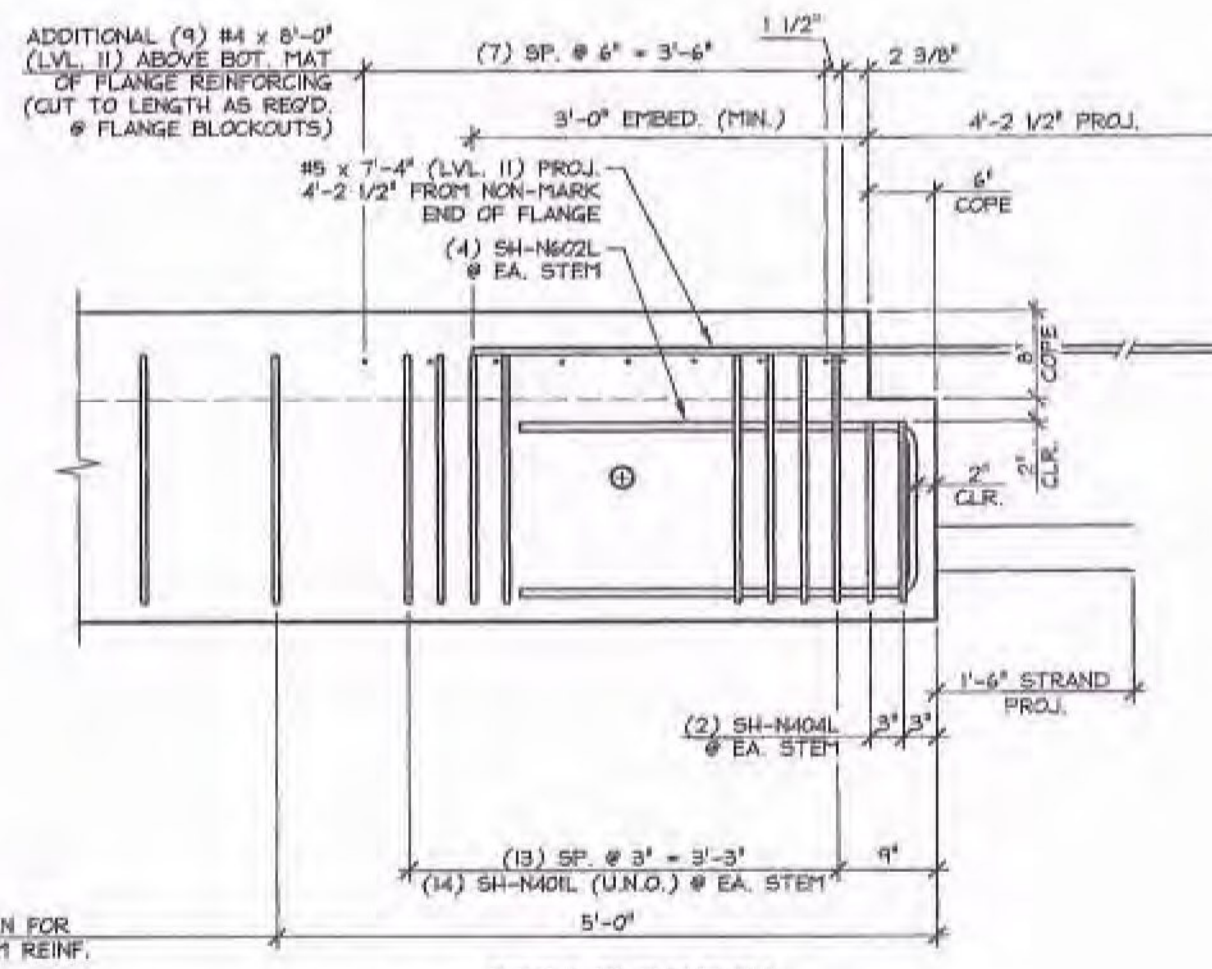
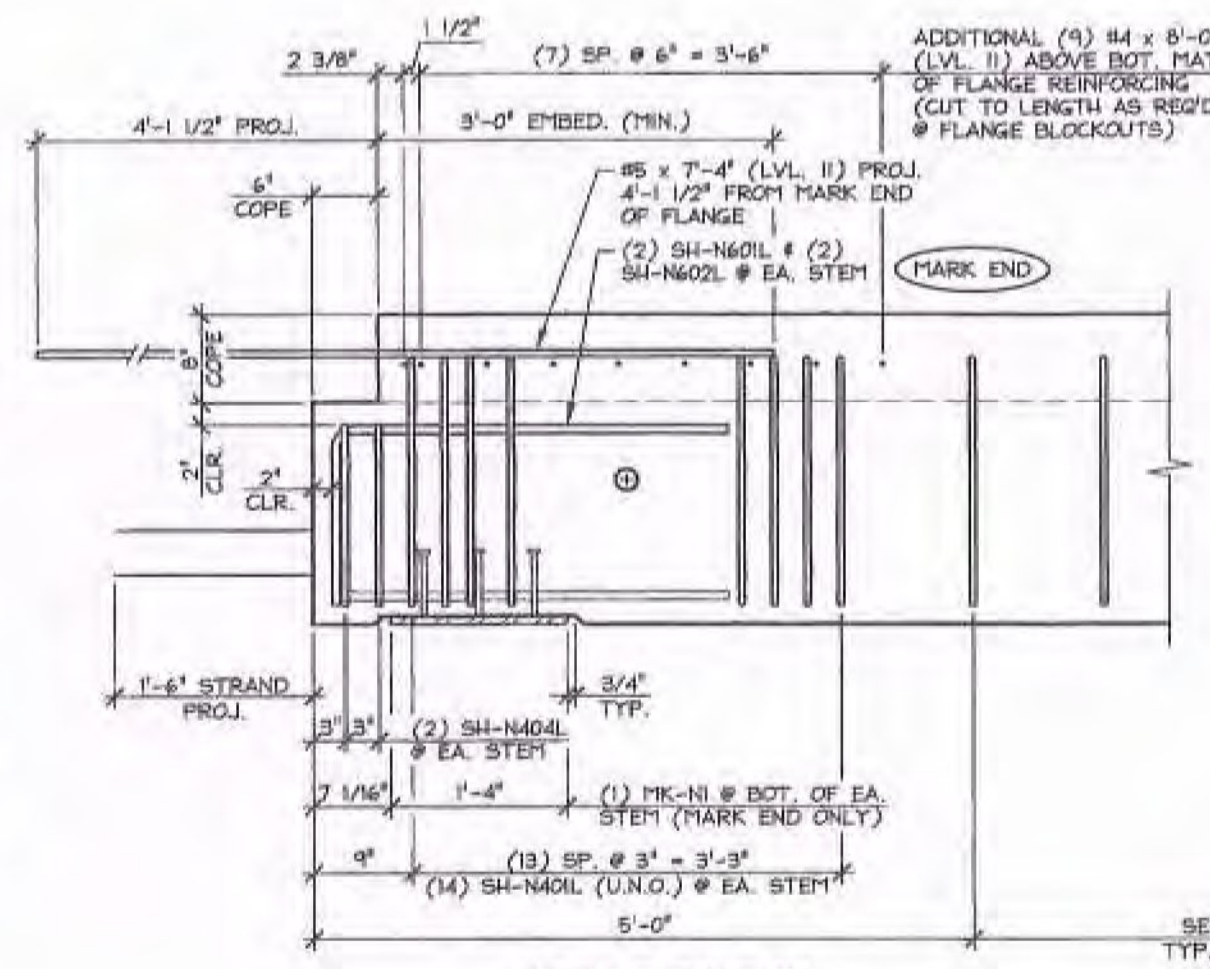
F DETENSIONING SCHEDULE
 NBI
 N.T.S.

PRESTRESSING NOTATIONS

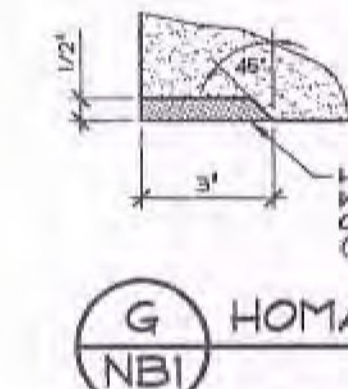
- ✦ DENOTES STRAIGHT STRANDS TO BE CUT FLUSH WITH EA. END OF EA. STEM
- ✧ DENOTES STRAIGHT STRANDS TO PROJECT 1'-6" FROM EA. END OF EA. STEM (STRANDS TO BE BENT AFTER STRIPPING SEE CURTAIN WALL DETAILS)
- ✪ DENOTES STRAIGHT STRANDS TO BE DEBONDED 6" FROM EA. END OF EA. STEM
- ⊕ DENOTES STRAIGHT STRANDS TO BE DEBONDED 4'-0" FROM EA. END OF EA. STEM
- ⊖ DENOTES STRAIGHT STRANDS TO BE DEBONDED 12'-0" FROM EA. END OF EA. STEM



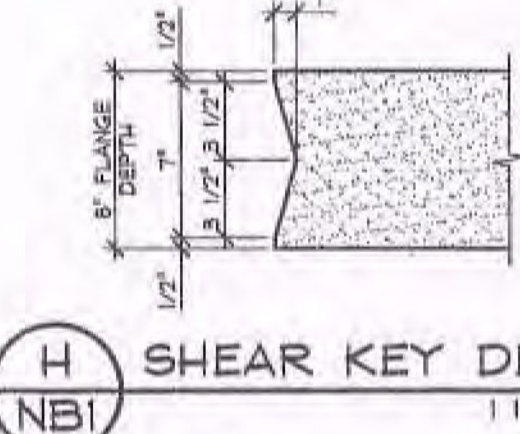
C END BLOCK STEM REINFORCING DETAILS MARK END
 NBI
 - TYPICAL FLANGE REINFORCING NOT SHOWN FOR CLARITY.
 - SEE CURTAIN WALL DETAILS FOR PROJECTING BAR BENDING & PROJECTING STRAND BENDING ("A/NBI.1").
 3/4" = 1'-0"



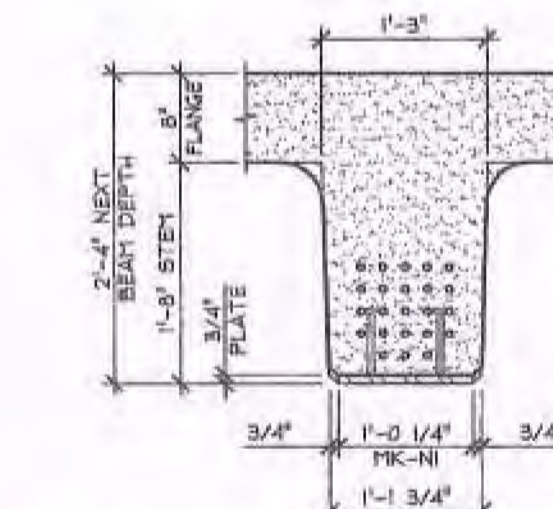
D END BLOCK STEM REINFORCING DETAILS NON-MARK END
 NBI
 - TYPICAL FLANGE REINFORCING NOT SHOWN FOR CLARITY.
 - SEE CURTAIN WALL DETAILS FOR PROJECTING BAR BENDING & PROJECTING STRAND BENDING ("A/NBI.1").
 3/4" = 1'-0"



G HOMASOTE DETAIL
 NBI
 3' = 1'-0"



H SHEAR KEY DETAIL
 NBI
 1/2" = 1'-0"



J BEARING PLATE DETAIL
 NBI
 3/4" = 1'-0"

SHOP DRAWING REVIEW

REVIEWED AS REQUIRED BY THE CONSTRUCTION CONTRACT DOCUMENTS AND APPROVED, BUT ONLY FOR CONFORMANCE TO THE DESIGN CONCEPT OF THE WORK, AND SUBJECT TO FURTHER LIMITATIONS AND REQUIREMENTS CONTAINED IN THE CONSTRUCTION CONTRACT DOCUMENTS.

REJECTED REVISE AND RESUBMIT FORWASH AS CORRECTED

CORRECTIONS OR COMMENTS MADE ON THE SHOP DRAWINGS DURING THIS REVIEW DO NOT RELIEVE CONTRACTOR FROM COMPLIANCE WITH REQUIREMENTS OF THE DRAWINGS AND SPECIFICATIONS. THIS CHECK IS ONLY FOR REVIEW OF GENERAL CONFORMANCE WITH THE DESIGN CONCEPT OF THE PROJECT AND GENERAL COMPLIANCE WITH THE INFORMATION GIVEN IN THE CONTRACT DOCUMENTS. THE CONTRACTOR IS RESPONSIBLE FOR CONFIRMING AND CORRELATING ALL QUANTITIES AND DIMENSIONS, SELECTING FABRICATOR PROCESSES AND TECHNIQUES OF CONSTRUCTION, COORDINATING HIS WORK WITH THAT OF ALL OTHER TRADES, AND PERFORMING HIS WORK IN A SAFE AND SATISFACTORY MANNER.

VHB
 Vanessa Hangan Shuffler, Inc.
 Job Number: 57428.00
 Reviewed By: R. Massa
 Date: 2-14-14

Vermont Agency of Transportation
RECEIVED
 ON: February 12, 2014
 and Checked for
CONFORMANCE
 BY: Jennifer Fitch DATE: 02/27/14

APPROVAL STAMP:

J.P. CARRARA & SONS INC. Precast & Prestress Manufacturer <small>284 QUE. ST., MIDDLEBURY, VERMONT 05753 Phone: (802)388-5361 Fax: (802)388-9010</small>	T. BUCK CONSTRUCTION CONTRACTOR AUBURN, MAINE
	DATE: OCT. 9, 2013 SCALE: NOTED
STATE OF VERMONT AGENCY OF TRANSPORTATION COUNTY OF ADDISON	CHKD: DFM: B.L. JOB NO: 23411-013
TOWN OF MIDDLEBURY ROUTE NO. VT 125, EAST MIDDLEBURY GORGE BRIDGE NO. 1B PROJECT NO.: RB 0174(B)	DWG. NO: NBI
PRESTRESSED NEXT BEAM DETAILS	

SUBMITTED
 FEB 12 2014
 J. P. CARRARA & SONS, INC.
 MIDDLEBURY, VT 05753