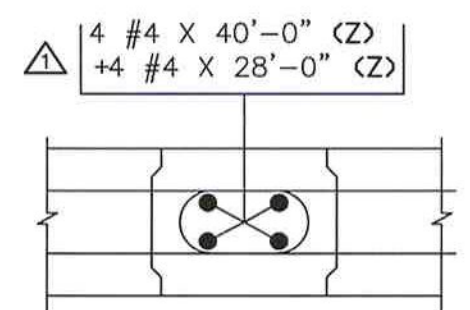
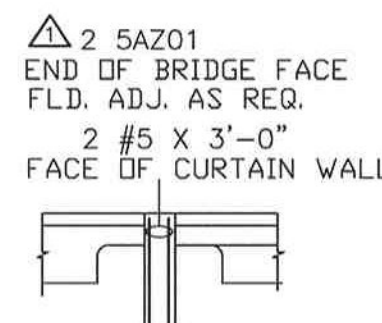


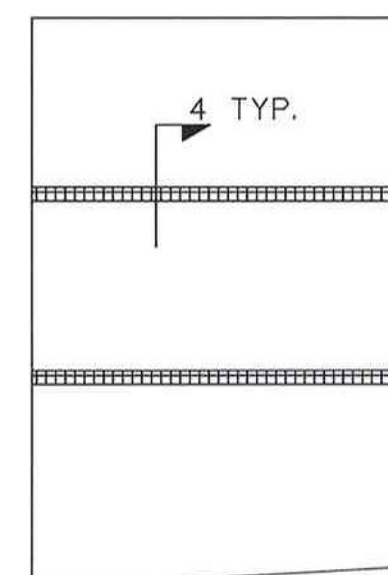
**DECK PLAN**  
OVERLAY REINF.  
#4Z BAR @12" O.C.E.W.  
CONTRACT REF. SHEET 47



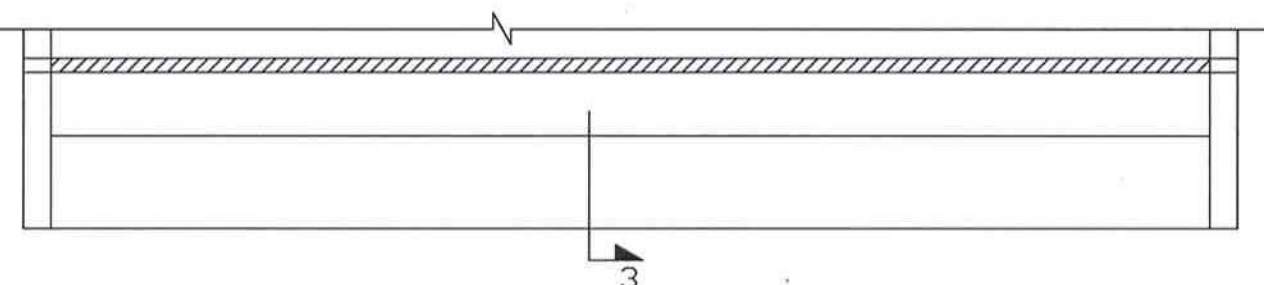
**SECT. 1**  
NEXT CLOSURE POUR  
3 THUS  
CONTRACT REF. SHEET 47



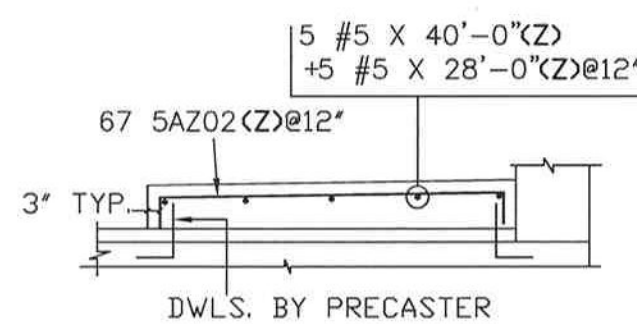
**SECT. 2**  
CURTAIN WALL CLOSURE POUR  
6 THUS  
CONTRACT REF. SHEETS 51 & 52



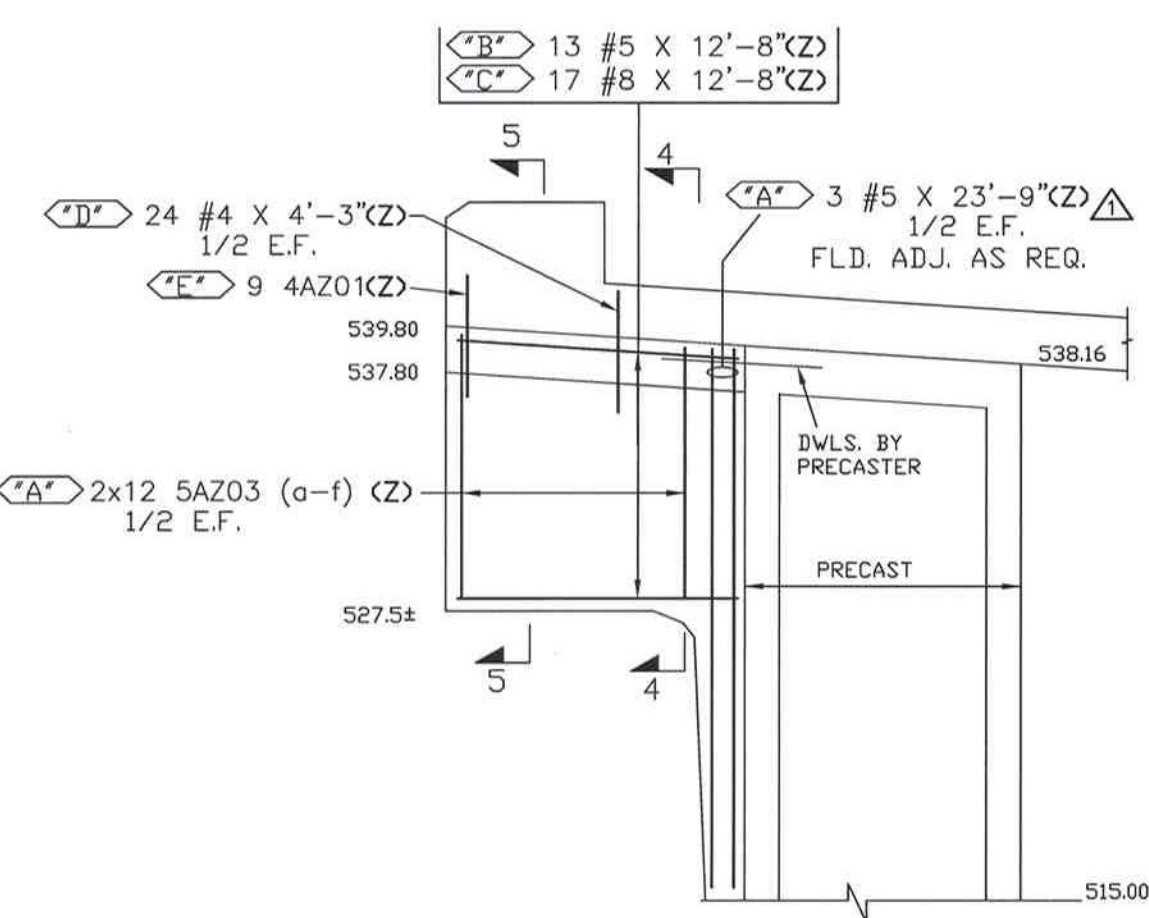
**APPROACH SLAB #1**  
APPROACH SLAB 2 SIMILAR  
CONTRACT REF. SHEETS 56 & 57



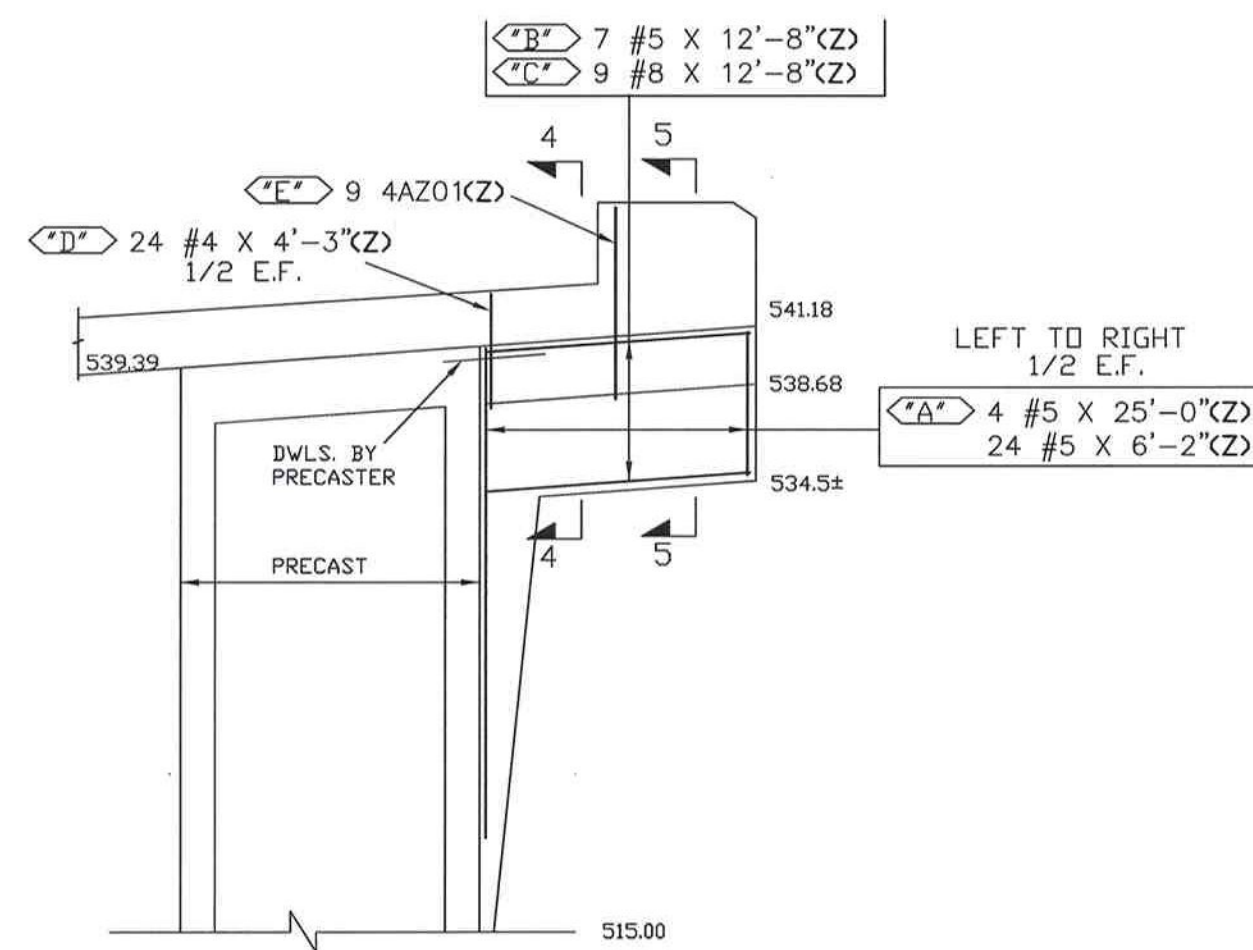
**SIDEWALK PLAN**  
CONTRACT REF. SHEETS 46 & 53



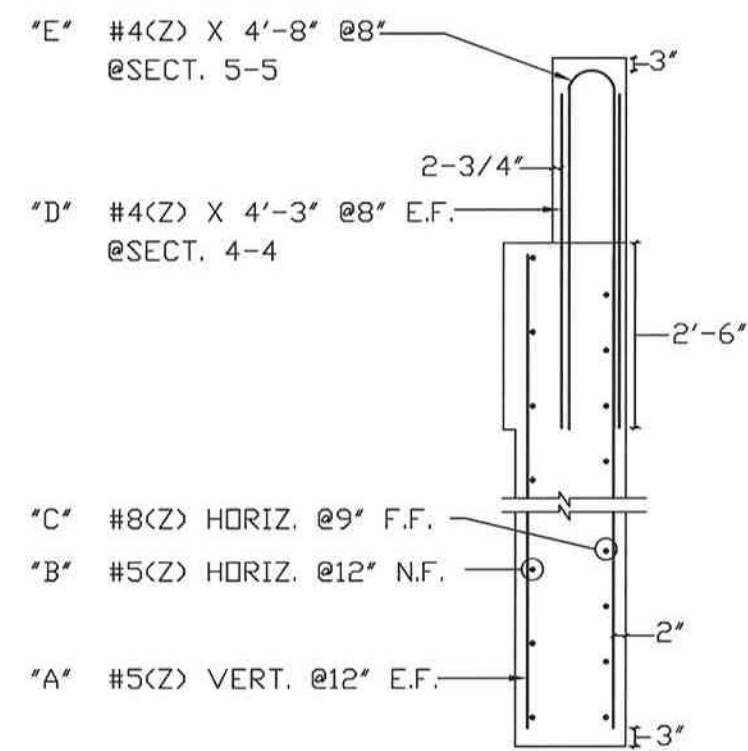
**SECT. 3**  
CONTRACT REF. SHEETS 47 & 53



**WINGWALL 3**  
CONTRACT REF. SHEET 65



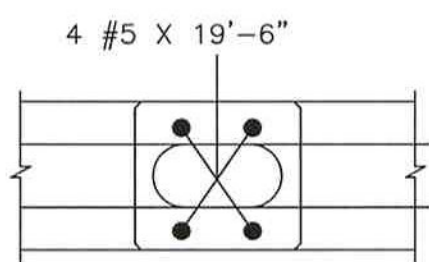
**WINGWALL 4**  
CONTRACT REF. SHEET 66



**SECT. 4-4/5-5**  
CONTRACT REF. SHEET L-L/65  
N-N/66

Release Number: 001		BAR LIST															
Bar Mark	Qty	Size	Total Length	Type	'A'	'B'	'C'	'D'	'E'	'F'	'G'	'H'	'J'	'K'	'O'	'R'	
5AZ01	12	#5	6'-0"	17		3'-0"	3'-0"										
5AZ02	67	#5	5'-8"	17		0'-7"	4'-6"	0'-7"									
Release Number: 003		BAR LIST															
Bar Mark	Qty	Size	Total Length	Type	'A'	'B'	'C'	'D'	'E'	'F'	'G'	'H'	'J'	'K'	'O'	'R'	
4AZ01	9	#4	9'-10 1/2"	17		4'-8"	0'-6 1/2"	4'-8"									
5AZ03a	4	#5	10'-11"			10'-11"											
Varies To																	
5AZ03f	4	#5	11'-9"			11'-9"											
Release Number: 004		BAR LIST															
Bar Mark	Qty	Size	Total Length	Type	'A'	'B'	'C'	'D'	'E'	'F'	'G'	'H'	'J'	'K'	'O'	'R'	
4AZ01	9	#4	9'-10 1/2"	17		4'-8"	0'-6 1/2"	4'-8"									

VARIED GROUP  
24 BARS TOTAL



**SECT. 4**  
CLOSURE POUR  
4 THUS  
CONTRACT REF. SHEET 56

Vermont Agency of Transportation  
**RECEIVED**  
ON: **March 18, 2014**  
and Checked for  
**CONFORMANCE**  
BY: Jennifer Fitch DATE: 03/24/2014

BAR SIZE	LAP
#4	2'-0"
#5	2'-6"

**FOR APPROVAL**

**LEGEND:**  
CONT.-CONTINUOUS  
TRANS.-TRANSVERSE  
DWLS.-DWELS  
VERTS.-VERTICAL  
HORIZ.-HORIZONTAL  
T&B -TOP & BOTTOM  
I.F.-INNER FACE  
O.F.-OUTER FACE  
E.E.-EACH END  
E.F.-EACH FACE  
F.F.-FRONT FACE  
R.F.-REAR FACE  
E.W.-EACH WAY  
O.C.-ON CENTER  
L.W.-LONG WAY  
S.W.-SHORT WAY

ELEVATIONS & DIMENSIONS SHOWN ON THIS DWG. ARE FOR REINF. DETAILING PURPOSES ONLY AND ARE NOT INTENDED FOR CONSTRUCTION.

REINF. BARS ASTM A615 GRADE 60

DUAL COAT REINF. BARS ASTM A615 GRADE 60 MARKED (Z)

VERIFICATION OF UNCLEAR INFORMATION MAY BE REQUESTED ON THIS DRAWING. SHOULD VERIFICATION BE LEFT UN-ADDRESSED IT WILL REMAIN AS SHOWN AND ASSUMED TO BE CORRECT.

**SHOP DRAWING REVIEW**

REVIEWED AS REQUIRED BY THE CONSTRUCTION CONTRACT DOCUMENTS AND APPROVED, BUT ONLY FOR CONFORMANCE TO THE DESIGN CONCEPT OF THE WORK, AND SUBJECT TO FURTHER LIMITATIONS AND REQUIREMENTS CONTAINED IN THE CONSTRUCTION CONTRACT DOCUMENTS.

REJECTED  REVISE AND RESUBMIT  FINISH AS CORRECTED

CORRECTIONS OR COMMENTS MADE ON THE SHOP DRAWINGS DURING THIS REVIEW DO NOT RELIEVE CONTRACTOR FROM COMPLIANCE WITH REQUIREMENTS OF THE DRAWINGS AND SPECIFICATIONS. THIS CHECK IS ONLY FOR REVIEW OF GENERAL CONFORMANCE WITH THE DESIGN CONCEPT OF THE PROJECT AND GENERAL COMPLIANCE WITH THE INFORMATION GIVEN IN THE CONTRACT DOCUMENTS. THE CONTRACTOR IS RESPONSIBLE FOR CONFIRMING AND CORRELATING ALL QUANTITIES AND DIMENSIONS, SELECTING FABRICATION PROCESSES AND TECHNIQUES OF CONSTRUCTION, COORDINATING HIS WORK WITH THAT OF ALL OTHER TRADES, AND PERFORMING HIS WORK IN A SAFE AND SATISFACTORY MANNER.

**VHB** Vanasse Hangen Brustlin, Inc.  
Job Number: 5745B.00  
Reviewed By: R. Mann  
Date: 3-2-14

**TEST BARS**  
2 #5 x 5'-0" (Z)  
2 #4 x 5'-0" (Z)  
2 #5 x 5'-0" UNCOATED

6			
5			
4			
3			
2	03/18/14	REV'D/ENG. COMM./APPROVAL	
1	03/05/14	APPROVAL	
	DATE	REV.#	SENT FOR
<b>DIMENSION</b>			
DIMENSION FABRICATORS INC.			
VTAOT MIDDLEBURY RS 0174(B)			
LOCATION: VT RT 125 OVER MIDDLEBURY RIVER MIDDLEBURY VT.			
ENGINEER: VHB			
CUSTOMER: T BUCK CONSTRUCTION, INC.			
DRAWN BY	DATE	DT #	
WAYNE	03/05/14	8760	
DECK CLOSURE POURS, SIDEWALK AND WINGWALL 3 AND 4 REINF.			DRAWING #
			A