

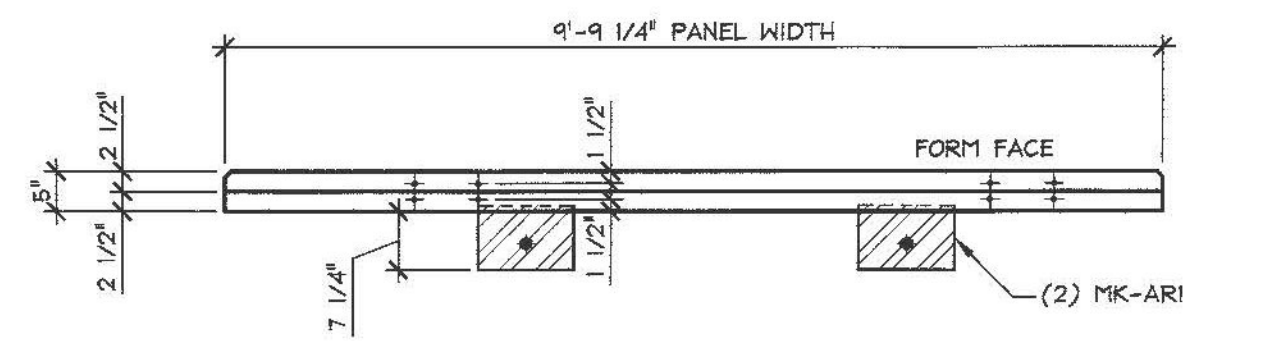
RECEIVED

ON: April 2, 2014

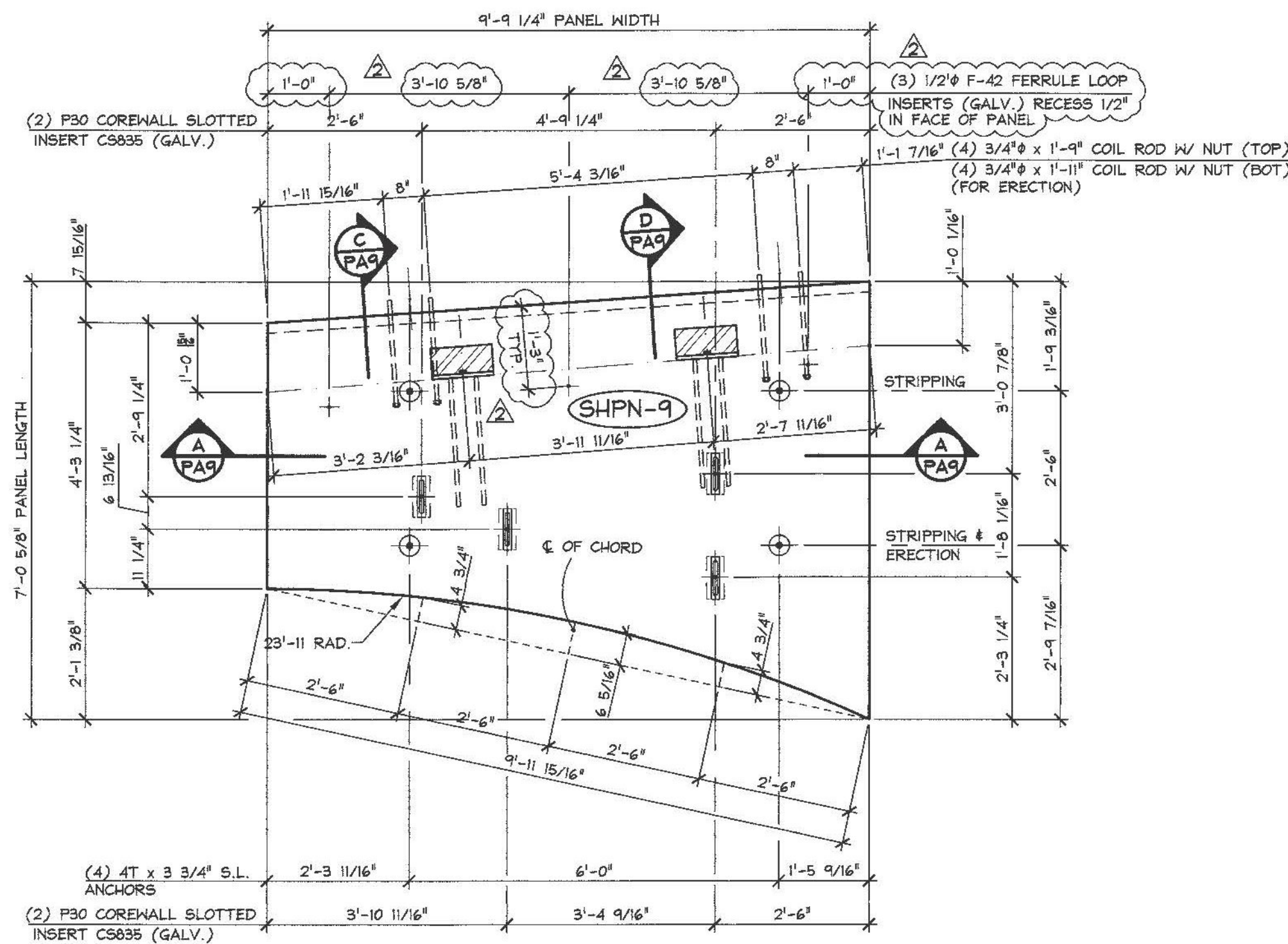
and Checked for

CONFORMANCE

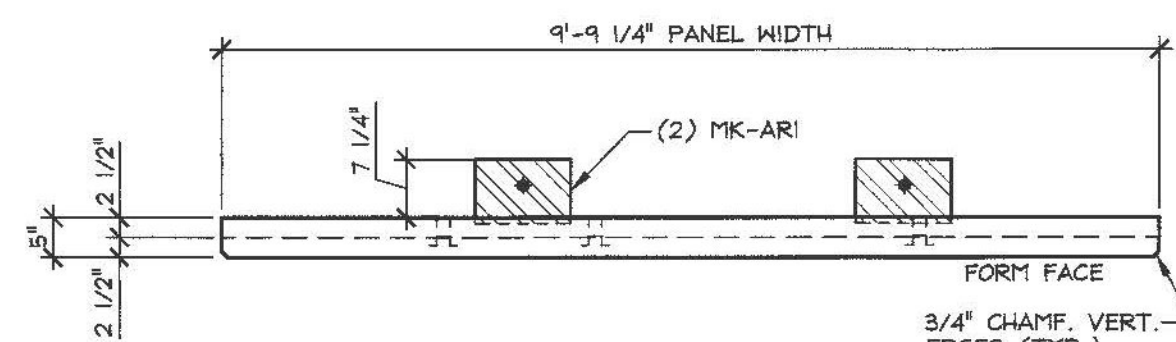
BY: Jennifer Fitch DATE: 04/04/2014



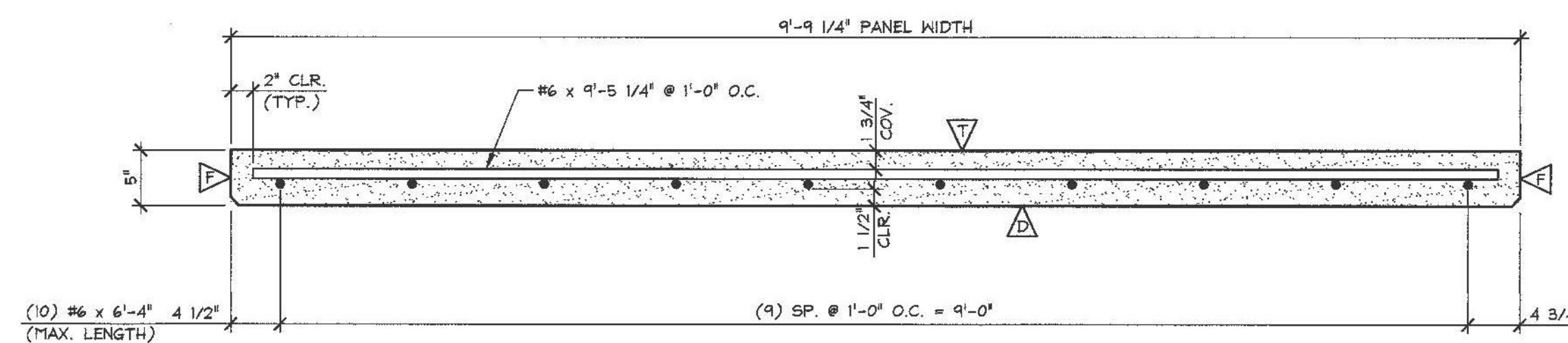
1 TOP ELEVATION VIEW IN FORM
PA9 1/2" = 1'-0"



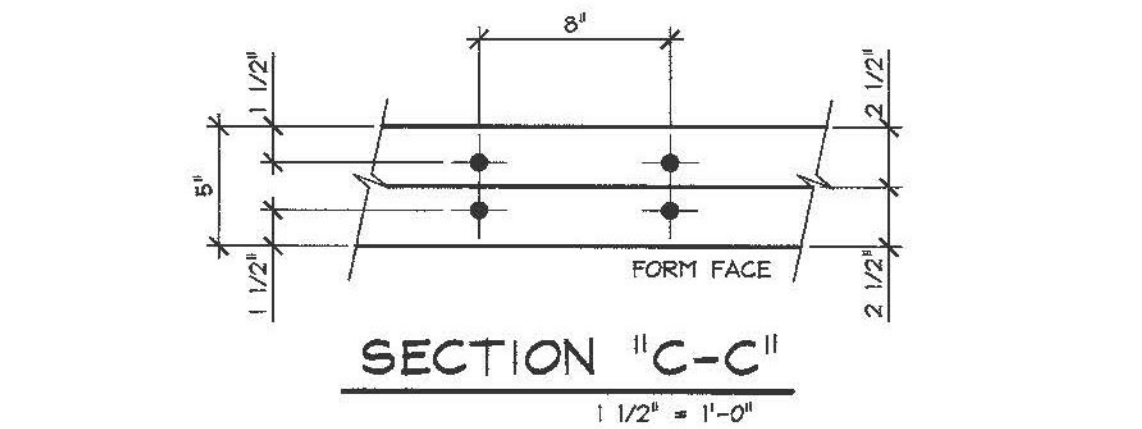
2 PLAN VIEW IN FORM
PA9 1/2" = 1'-0"



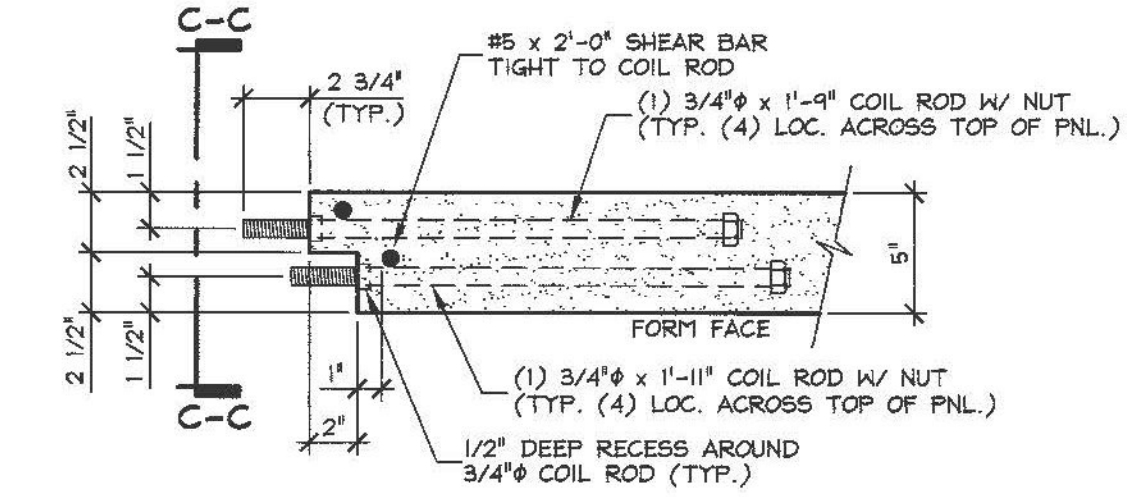
A DIMENSIONAL SECTION
1/2" = 1'-0"



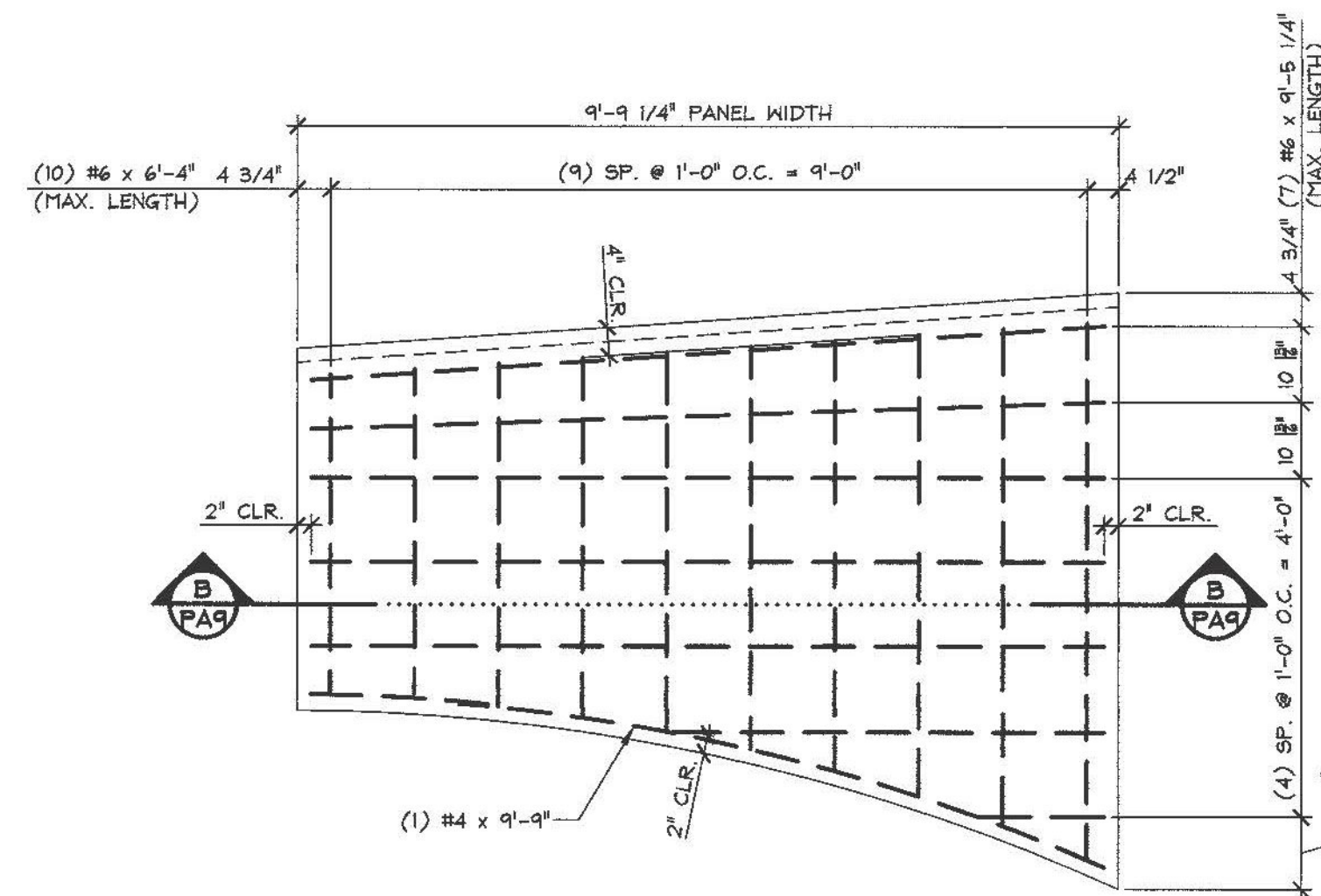
B REINFORCING SECTION
1/2" = 1'-0"



C TOP EDGE SECTION
1 1/2" = 1'-0"



D TOP EDGE SECTION
1 1/2" = 1'-0"



3 REINFORCING PLAN VIEW IN FORM
PA9 1/2" = 1'-0"

SHOP DRAWING REVIEW

REVIEWED AS REQUIRED BY THE CONSTRUCTION CONTRACT DOCUMENTS AND APPROVED, BUT ONLY FOR CONFORMANCE TO THE DESIGN CONCEPT OF THE WORK, AND SUBJECT TO FURTHER LIMITATIONS AND REQUIREMENTS CONTAINED IN THE CONSTRUCTION CONTRACT DOCUMENTS.
 REJECTED REVISE AND RESUBMIT FURNISH AS CORRECTED

CORRECTIONS OR COMMENTS MADE ON THE SHOP DRAWINGS DURING THIS REVIEW DO NOT RELIEVE CONTRACTOR FROM COMPLIANCE WITH REQUIREMENTS OF THE DRAWINGS AND SPECIFICATIONS. THIS CHECK IS ONLY FOR REVIEW OF GENERAL CONFORMANCE WITH THE DESIGN CONCEPT OF THE PROJECT AND GENERAL COMPLIANCE WITH THE INFORMATION GIVEN IN THE CONTRACT DOCUMENTS. THE CONTRACTOR IS RESPONSIBLE FOR: CONFIRMING AND CORRELATING ALL QUANTITIES AND DIMENSIONS; SELECTING FABRICATION PROCESSES AND TECHNIQUES OF CONSTRUCTION; COORDINATING HIS WORK WITH THAT OF ALL OTHER TRADES; AND PERFORMING HIS WORK IN A SAFE AND SATISFACTORY MANNER.

VHB Job Number: 57438
 Reviewed By: G.S. Goodrich
 Date: 4/4/2014

3500 PSI @ RELEASE
5000 PSI @ 28 DAYS
MIX DESIGN: 445M5CC

MARK: SHPN-9	QTY.: 1	WT.: 1.62 T	VOL.: 0.8 cy
MATERIAL LIST / ARCHITECTURAL PANEL			
ITEM	MARK	DESCRIPTION	QTY.
1	MK-ARI	4 8 x 6 x 3/4 x 1'-0" LLH W/ ANCHORS (GALV.)	2
2		3/4" x 1'-9" COIL ROD W/ NUT (GALV.)	4
3		3/4" x 1'-11" COIL ROD W/ NUT (GALV.)	4
4		DAYTON P30 COREHALL C5835 SLOTTED INSERT (GALV.)	4
5		DAYTON 4T x 3 3/4" SWIFT LIFT (BLACK) (WITH RECESS PLUG)	4
6		1/2" F-42 FERRULE LOOP INSERT (GALV.)	3
7			
8			
9		#5 x 2'-0" (LEVEL II, DUAL COATED)	4
10		#4 x 9'-9" (LEVEL II, DUAL COATED)	1
11		#6 x 9'-5 1/4" (LEVEL II, DUAL COATED)	7
12		#6 x 6'-4" (LEVEL II, DUAL COATED)	10
13			
14			
15			

ISSUED FOR PRODUCTION
APR 01 2014
J.P. CARRARA & SONS, INC.
MIDDLEBURY, VT 05753

APPROVAL STAMP:

J.P. CARRARA & SONS INC. Precast & Prestress Manufacturer 2444 CASE ST., MIDDLEBURY, VERMONT 05753 Phone: (802)388-6361 Fax: (802)388-9010	T. BUCK CONSTRUCTION CONTRACTOR AUBURN, MAINE
STATE OF VERMONT AGENCY OF TRANSPORTATION COUNTY OF ADDISON	DATE: OCT. 9, 2013 SCALE: NOTED
TOWN OF MIDDLEBURY ROUTE NO. VT 125, EAST MIDDLEBURY GORGE BRIDGE NO.: 13 PROJECT NO.: RS 0174(B)	CHKD: DFTM: T.D. JOB NO: 23411-013
P/C ARCHITECTURAL PANEL DETAILS	DWG. NO: PA9

3-26-14 GENERAL REVISION T.D.
2-11-14 GENERAL REVISION T.D.