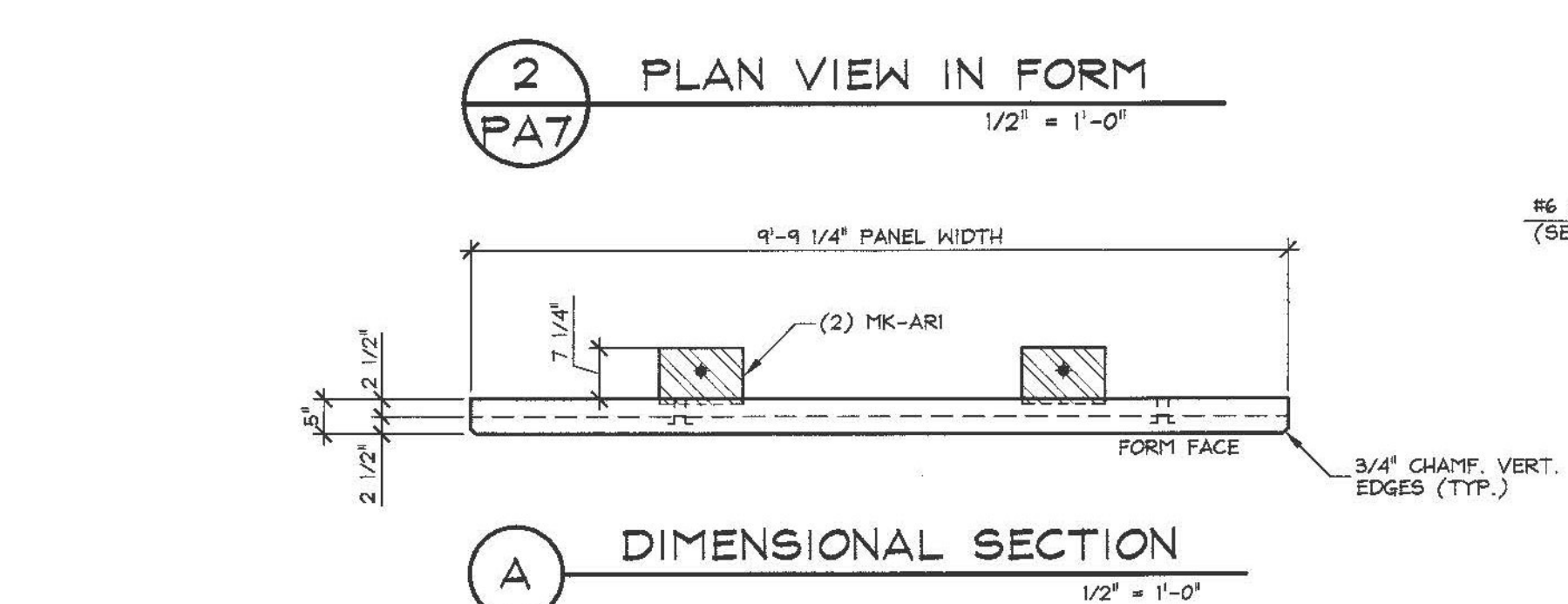
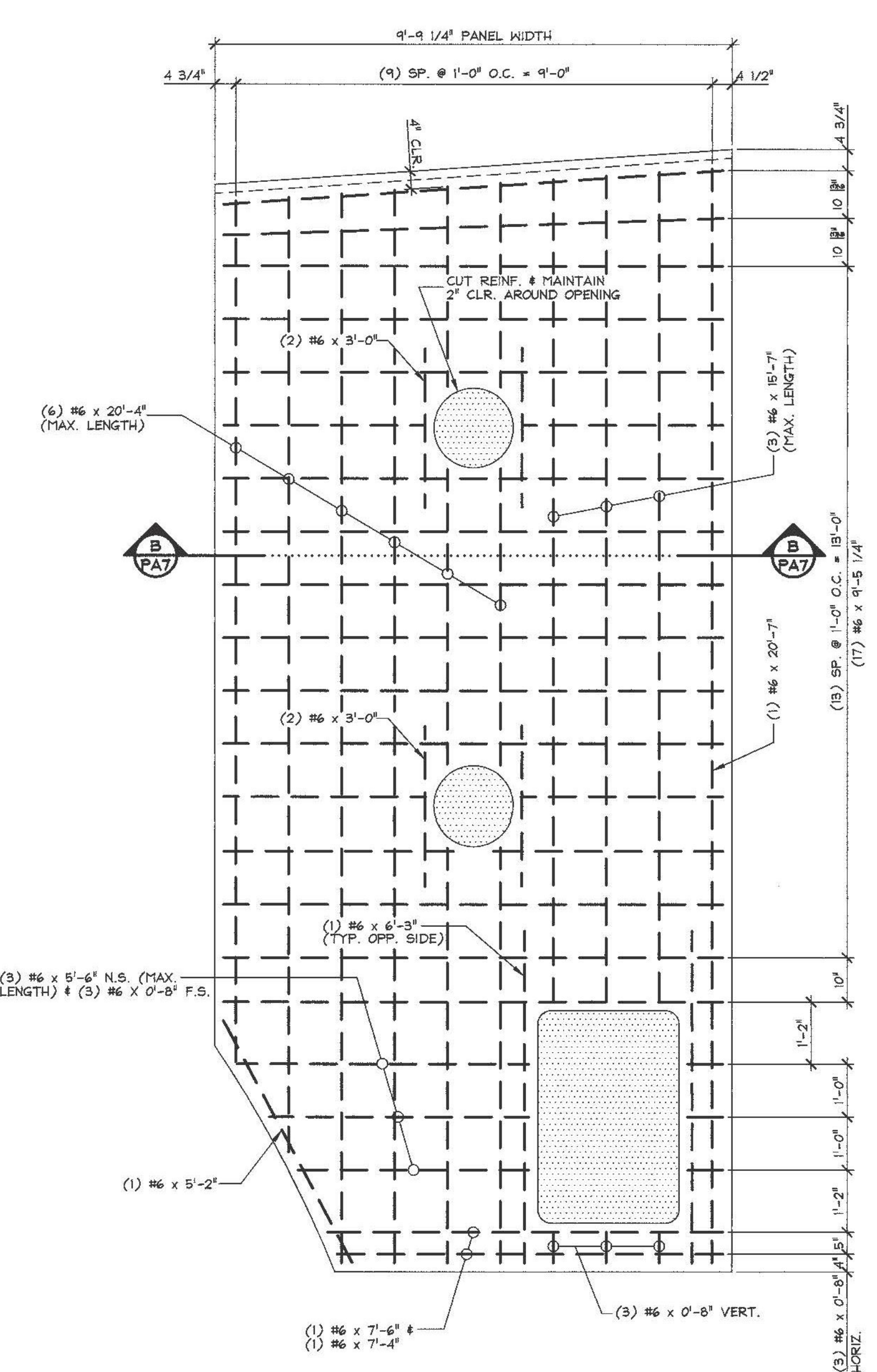


1 TOP ELEVATION VIEW IN FORM
PA7
1/2" = 1'-0"

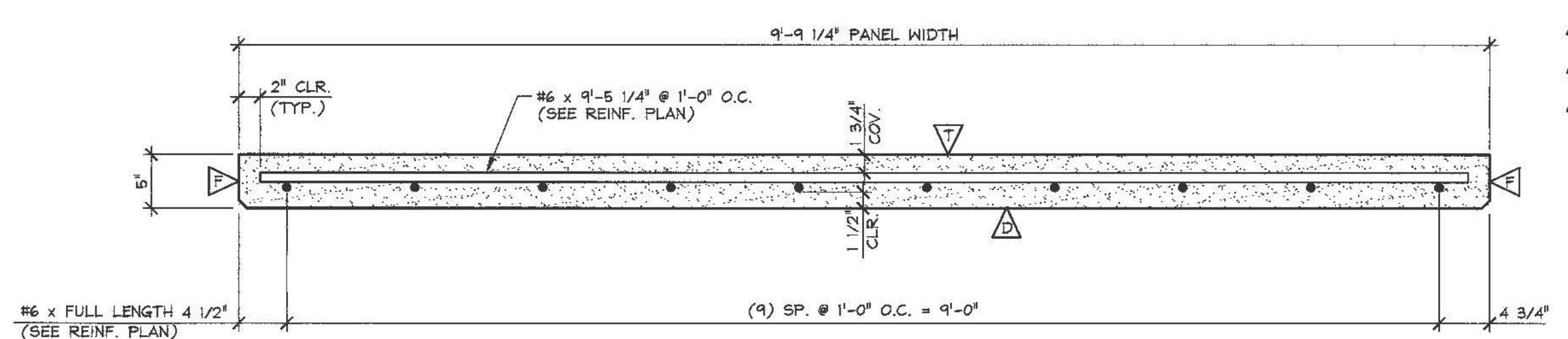


2 PLAN VIEW IN FORM
PA7
1/2" = 1'-0"

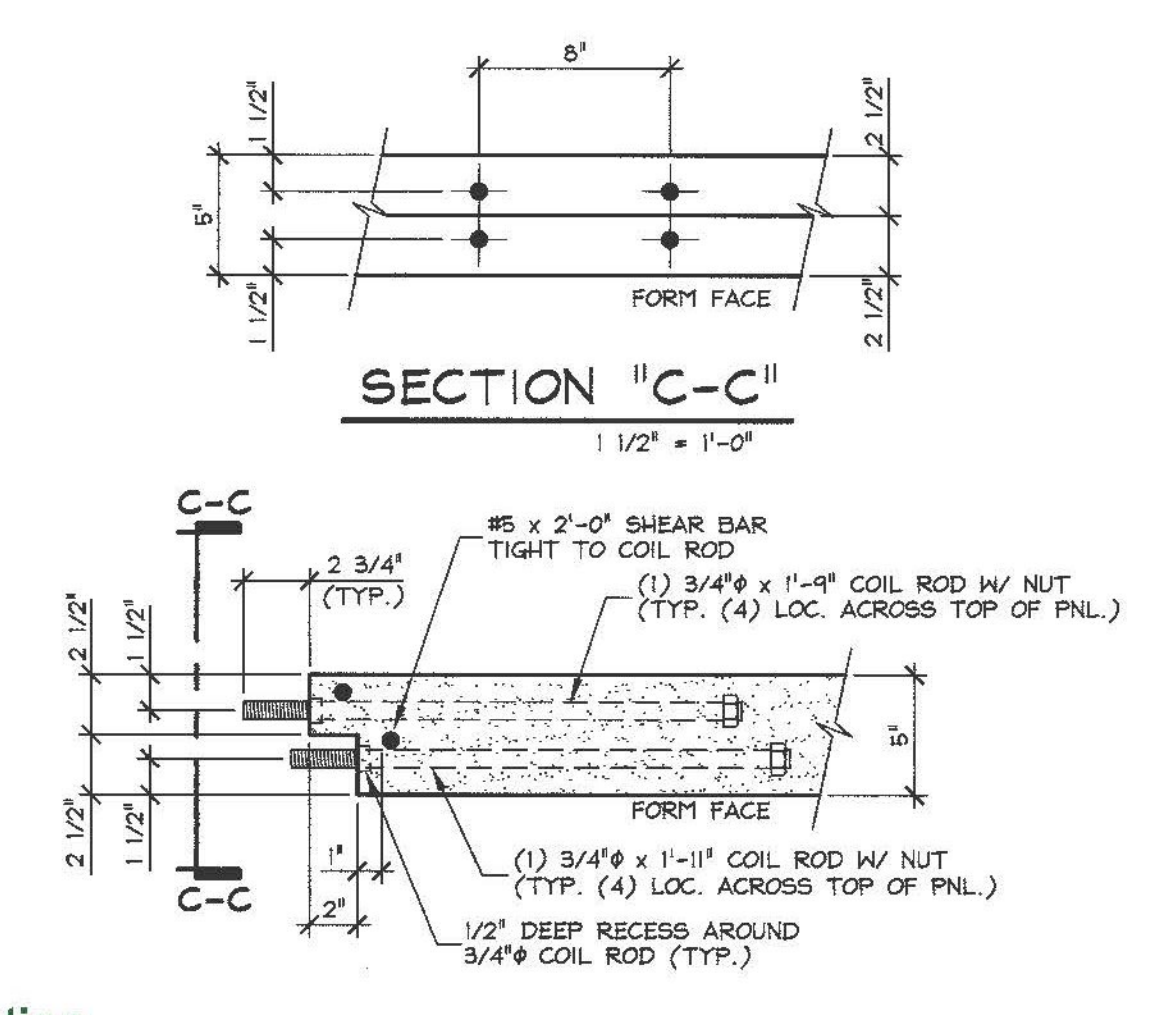
A DIMENSIONAL SECTION
1/2" = 1'-0"



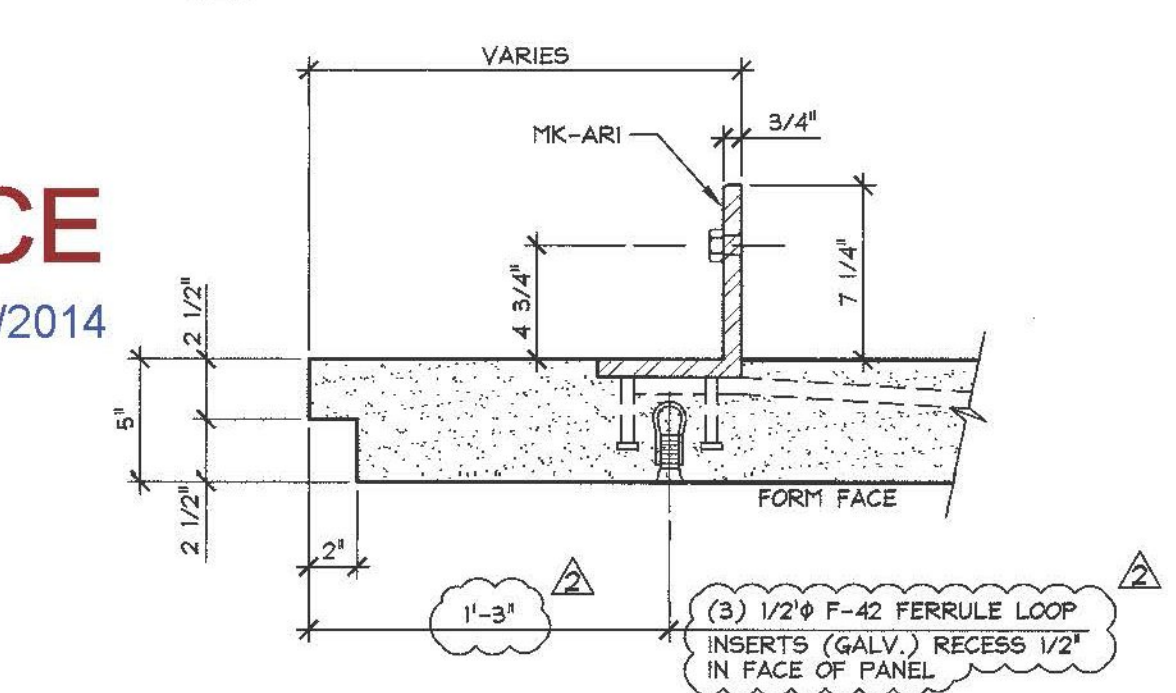
3 REINFORCING PLAN VIEW IN FORM
PA7
1/2" = 1'-0"



B REINFORCING SECTION
1/2" = 1'-0"



C TOP EDGE SECTION
1 1/2" = 1'-0"



D TOP EDGE SECTION
1 1/2" = 1'-0"

Vermont Agency of Transportation
RECEIVED
ON: April 2, 2014
and Checked for
CONFORMANCE
BY: Jennifer Fitch DATE: 04/04/2014

SHOP DRAWING REVIEW

REVIEWED AS REQUIRED BY THE CONSTRUCTION CONTRACT DOCUMENTS AND APPROVED, BUT ONLY FOR CONFORMANCE TO THE DESIGN CONCEPT OF THE WORK, AND SUBJECT TO FURTHER LIMITATIONS AND REQUIREMENTS CONTAINED IN THE CONSTRUCTION CONTRACT DOCUMENTS.

REJECTED REVISE AND RESUBMIT FURNISH AS CORRECTED

CORRECTIONS OR COMMENTS MADE ON THE SHOP DRAWINGS DURING THIS REVIEW DO NOT RELIEVE CONTRACTOR FROM COMPLIANCE WITH REQUIREMENTS OF THE DRAWINGS AND SPECIFICATIONS. THIS CHECK IS ONLY FOR REVIEW OF GENERAL CONFORMANCE WITH THE DESIGN CONCEPT OF THE PROJECT AND GENERAL COMPLIANCE WITH THE INFORMATION GIVEN IN THE CONTRACT DOCUMENTS. THE CONTRACTOR IS RESPONSIBLE FOR: CONFIRMING AND CORRELATING ALL QUANTITIES AND DIMENSIONS; SELECTING FABRICATION PROCESSES AND TECHNIQUES OF CONSTRUCTION; COORDINATING HIS WORK WITH THAT OF ALL OTHER TRADES; AND PERFORMING HIS WORK IN A SAFE AND SATISFACTORY MANNER.

VHB Job Number: 57438
Reviewed By: G.S. Goodrich
Date: 4/4/2014

MATERIAL LIST / ARCHITECTURAL PANEL			
ITEM	MARK	DESCRIPTION	QTY.
1	MK-ARI	4 8 x 6 x 3/4 x 1'-0" LLH W/ ANCHORS (GALV.)	2
2		3/4" x 1'-9" COIL ROD W/ NUT (GALV.)	4
3		3/4" x 1'-11" COIL ROD W/ NUT (GALV.)	4
4		DAYTON P30 COREMALL C8835 SLOTTED INSERT (GALV.)	4
5		DAYTON 4T x 3 3/4" SHIFT LIFT (BLACK) (WITH RECESS PLUG)	6
6		1/2" F-42 FERRULE LOOP INSERT (GALV.)	3
7		#5 x 2'-0" (LEVEL II, DUAL COATED)	4
8		#6 x 9'-5 1/2" (LEVEL II, DUAL COATED)	17
9		#6 x 20'-7" (LEVEL II, DUAL COATED)	1
10		#6 x 15'-7" (LEVEL II, DUAL COATED)	3
11		#6 x 20'-4" (LEVEL II, DUAL COATED)	6
12		#6 x 5'-2" (LEVEL II, DUAL COATED)	1
13		#6 x 6'-3" (LEVEL II, DUAL COATED)	2
14		#6 x 3'-0" (LEVEL II, DUAL COATED)	4
15		#6 x 7'-4" (LEVEL II, DUAL COATED)	1
15		#6 x 7'-6" (LEVEL II, DUAL COATED)	1
15		#6 x 5'-6" (LEVEL II, DUAL COATED)	3
15		#6 x 0'-8" (LEVEL II, DUAL COATED)	6

- △ = FLOAT FINISH
- △ = DRESSED FINISH PER VT. SECTION 501.16
- △ = FORM FINISH

ISSUED FOR PRODUCTION
APR 01 2014
J.P. CARRARA & SONS, INC.
MIDDLEBURY, VT 05753

APPROVAL STAMP:

J.P. CARRARA & SONS INC. Precast & Prestress Manufacturer
2484 CASE ST., MIDDLEBURY, VERMONT 05753 Phone: (802)388-6361 Fax: (802)388-9010

T. BUCK CONSTRUCTION CONTRACTOR
AUBURN, MAINE

STATE OF VERMONT AGENCY OF TRANSPORTATION COUNTY OF ADDISON
DATE: OCT. 9, 2013
SCALE: NOTED

TOWN OF MIDDLEBURY
ROUTE NO. VT 125, EAST MIDDLEBURY GORGE
BRIDGE NO.: 13 PROJECT NO.: RS 0174(B)
CHKD: DFTM: T.D.
JOB NO: 23411-013

P/C ARCHITECTURAL PANEL DETAILS DWG. NO: PA7

- △ 3-26-14 GENERAL REVISION T.D.
- △ 2-11-14 GENERAL REVISION T.D.