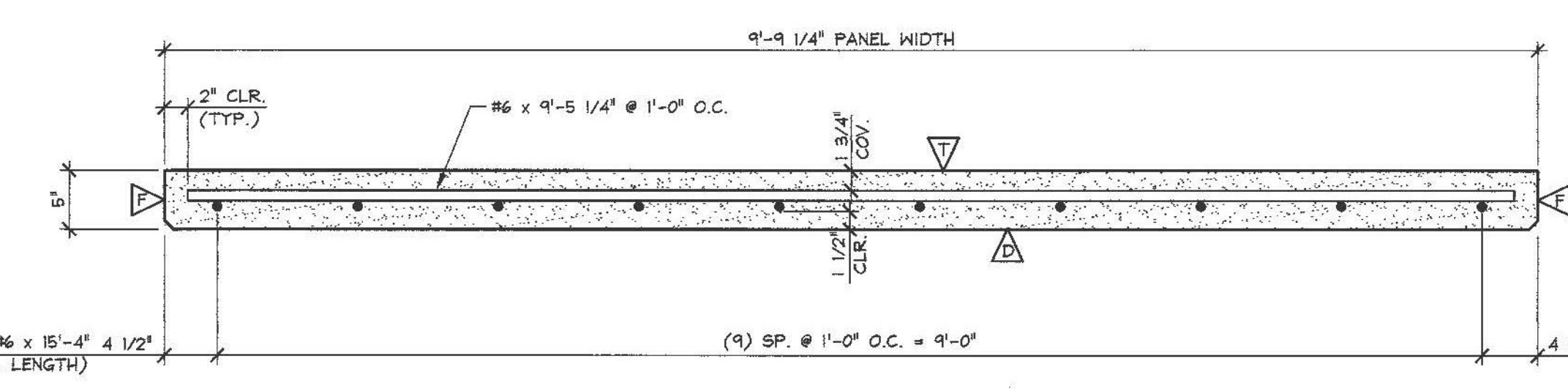
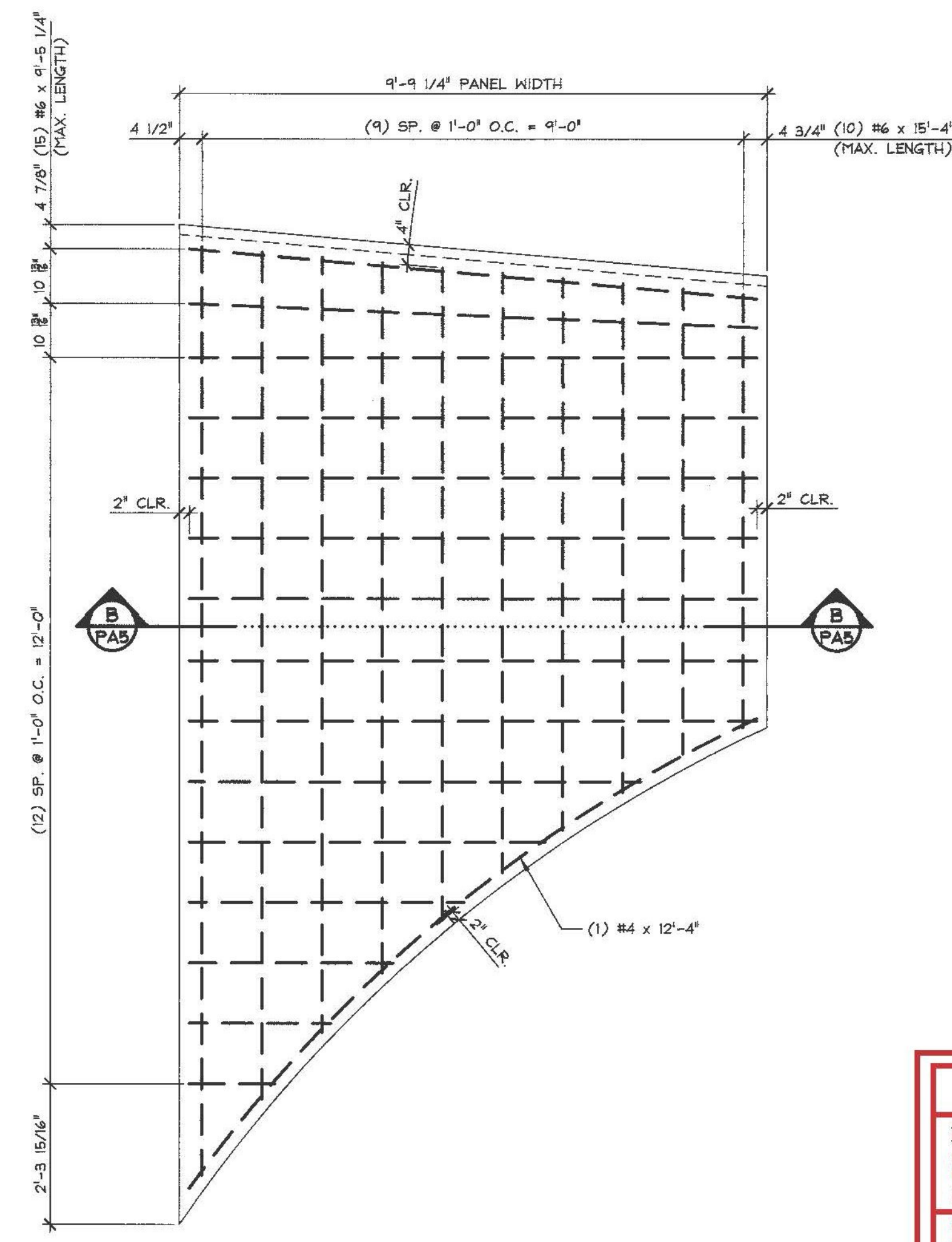
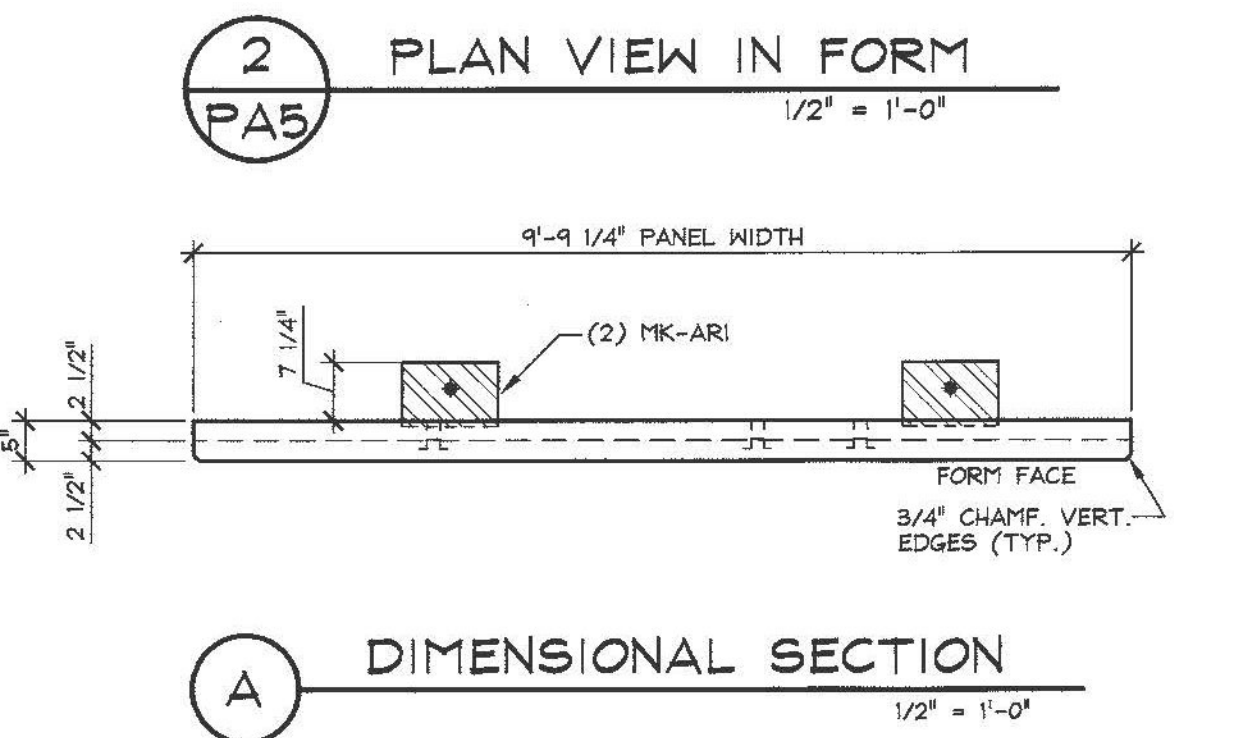
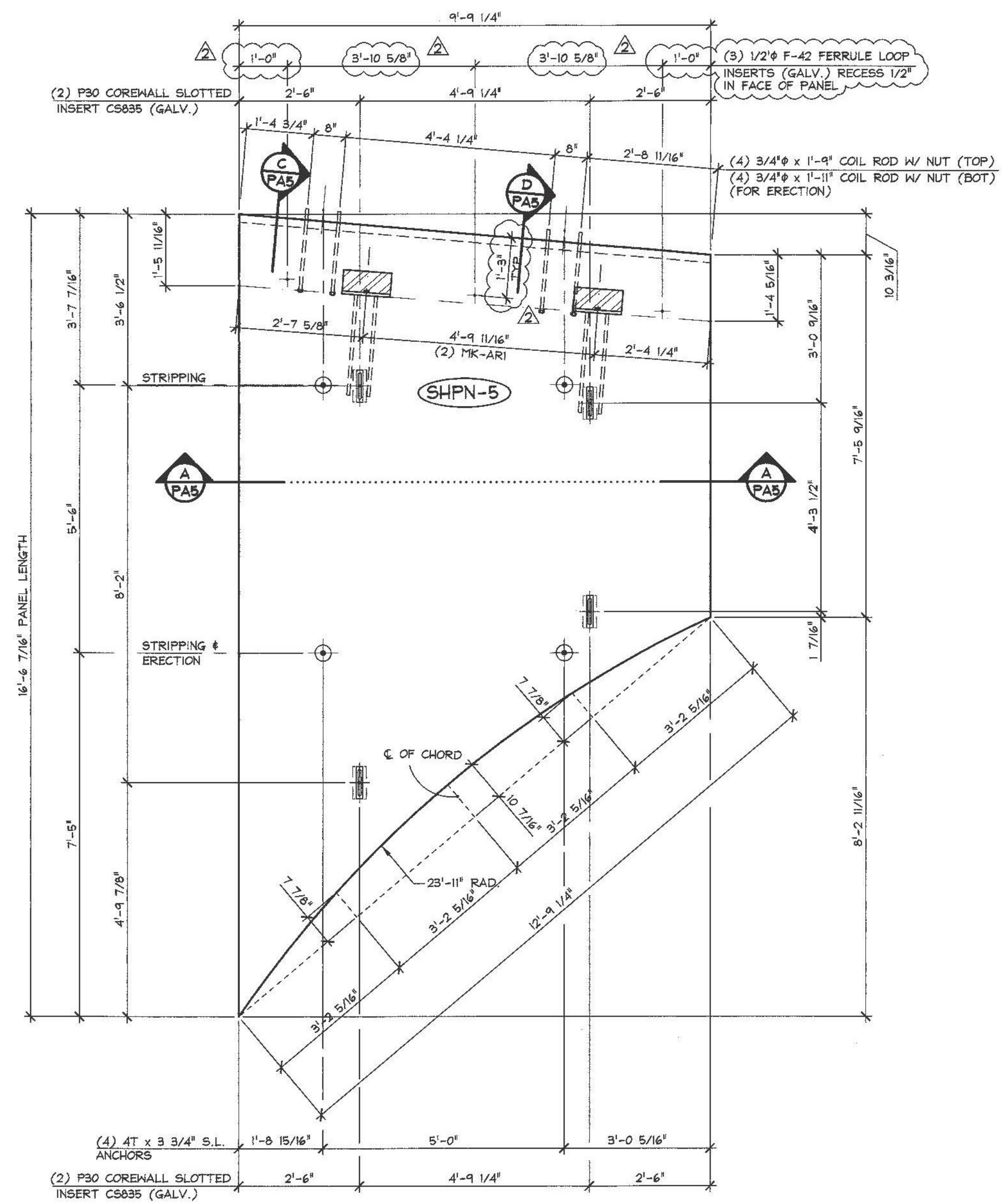
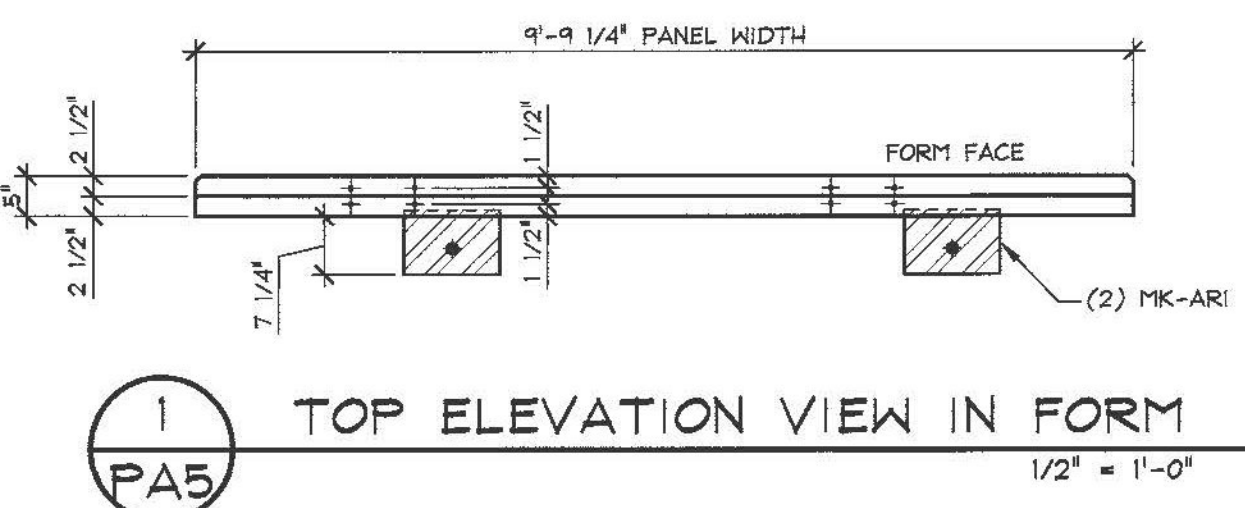
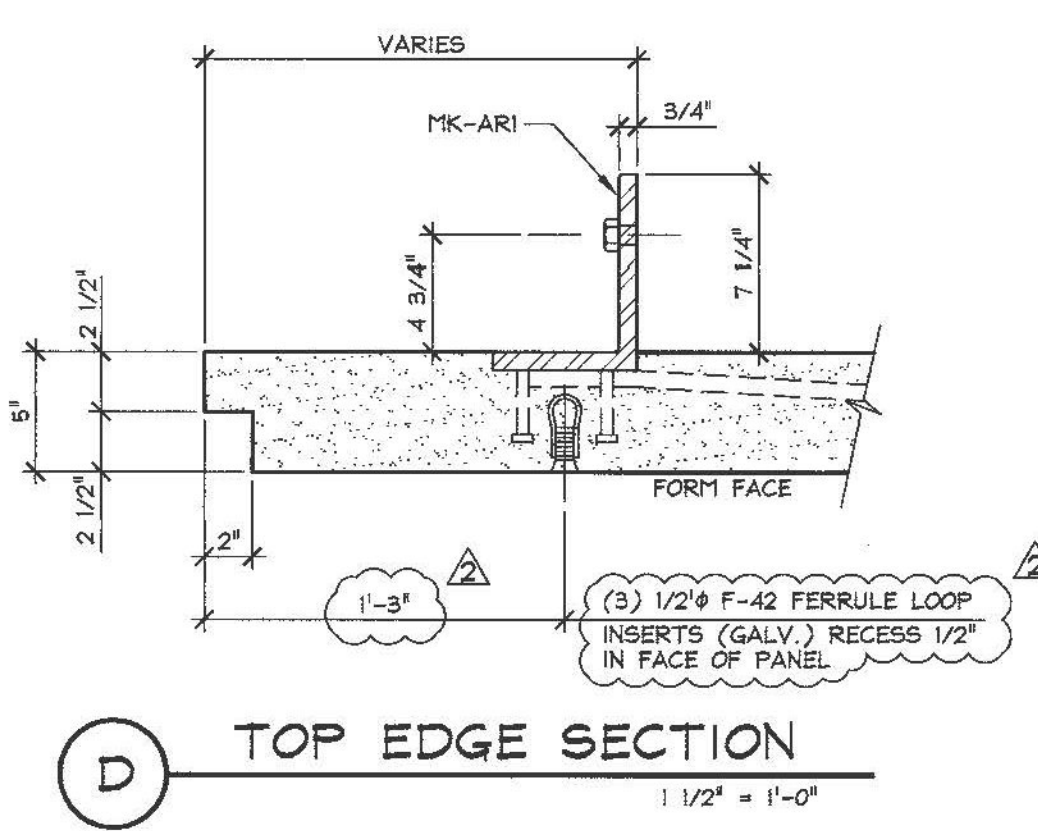
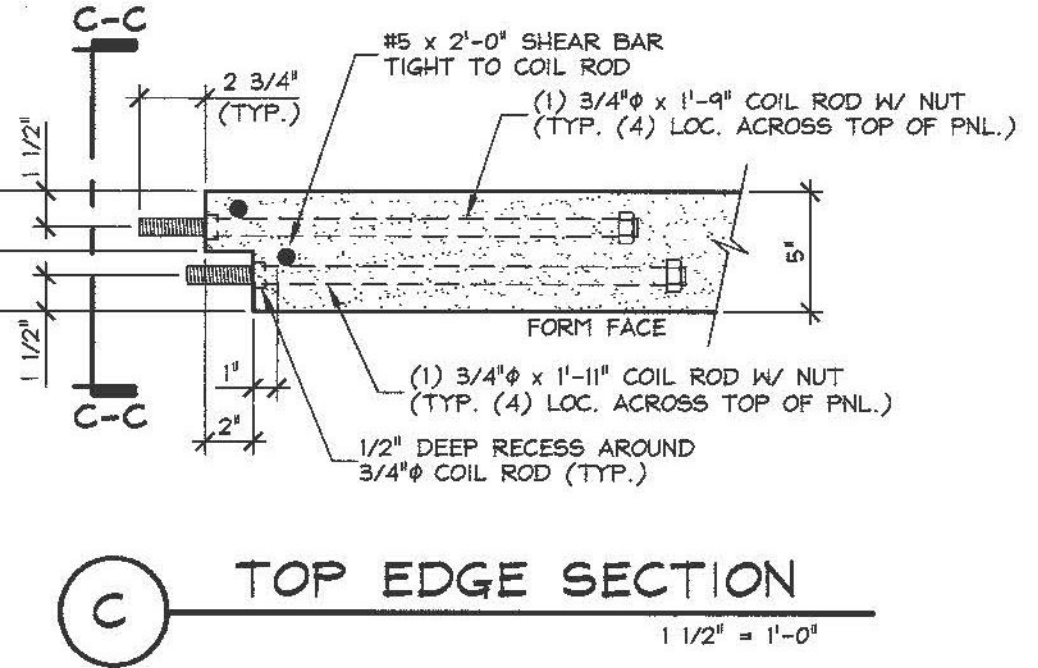
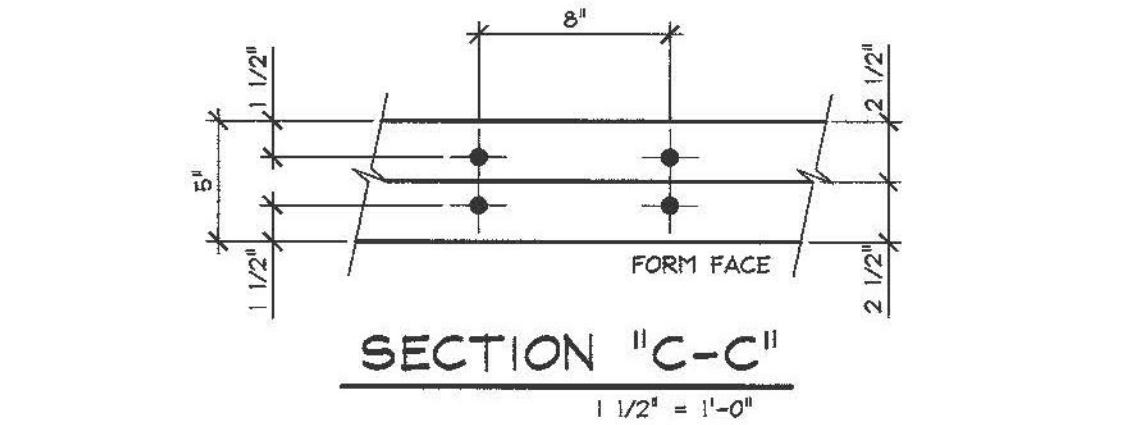


RECEIVED
 ON: April 2, 2014
 and Checked for
CONFORMANCE
 BY: Jennifer Fitch DATE: 04/04/2014



B REINFORCING SECTION
 1/2" = 1'-0"

SHOP DRAWING REVIEW

REVIEWED AS REQUIRED BY THE CONSTRUCTION CONTRACT DOCUMENTS AND APPROVED, BUT ONLY FOR CONFORMANCE TO THE DESIGN CONCEPT OF THE WORK, AND SUBJECT TO FURTHER LIMITATIONS AND REQUIREMENTS CONTAINED IN THE CONSTRUCTION CONTRACT DOCUMENTS.

REJECTED REVISE AND RESUBMIT FURNISH AS CORRECTED

CORRECTIONS OR COMMENTS MADE ON THE SHOP DRAWINGS DURING THIS REVIEW DO NOT RELIEVE CONTRACTOR FROM COMPLIANCE WITH REQUIREMENTS OF THE DRAWINGS AND SPECIFICATIONS. THIS CHECK IS ONLY FOR REVIEW OF GENERAL CONFORMANCE WITH THE DESIGN CONCEPT OF THE PROJECT AND GENERAL COMPLIANCE WITH THE INFORMATION GIVEN IN THE CONTRACT DOCUMENTS. THE CONTRACTOR IS RESPONSIBLE FOR CONFIRMING AND CORRELATING ALL QUANTITIES AND DIMENSIONS; SELECTING FABRICATION PROCESSES AND TECHNIQUES OF CONSTRUCTION; COORDINATING HIS WORK WITH THAT OF ALL OTHER TRADES; AND PERFORMING HIS WORK IN A SAFE AND SATISFACTORY MANNER.

VHB Job Number: 57438
 Reviewed By: G.S. Goodrich
 Date: 4/4/2014

4500 PSI @ RELEASE
 5000 PSI @ 28 DAYS
 MIX DESIGN: 46M5CC

MATERIAL LIST / ARCHITECTURAL PANEL			
ITEM	MARK	DESCRIPTION	QTY.
1	MK-ARI	6 x 6 x 6 x 3/4 x 1'-0" LLH W/ ANCHORS (GALV.)	2
2		3/4" x 1'-9" COIL ROD W/ NUT (GALV.)	4
3		3/4" x 1'-11" COIL ROD W/ NUT (GALV.)	4
4		DAYTON P30 COREHALL CS835 SLOTTED INSERT (GALV.)	4
5		DAYTON 4T x 3 3/4" SNIFF LIFT (BLACK) (WITH RECESS PLUG)	4
6		1/2" F-42 FERRULE LOOP INSERT (GALV.)	3
7			
8			
9		#5 x 2'-0" (LEVEL II, DUAL COATED)	4
10		#4 x 12'-4" (LEVEL II, DUAL COATED)	1
11		#6 x 9'-5 1/4" (LEVEL II, DUAL COATED)	15
12		#6 x 15'-4" (LEVEL II, DUAL COATED)	10
13			
14			
15			

ISSUED FOR PRODUCTION
 APR 01 2014
 J.P. CARRARA & SONS, INC.
 MIDDLEBURY, VT 05753

APPROVAL STAMP:

J.P. CARRARA & SONS INC.
 Precast & Prestress Manufacturer
 2444 DISE STR., MIDDLEBURY, VERMONT 05753 Phone: (802)388-6361 Fax: (802)388-9010

T. BUCK CONSTRUCTION
 CONTRACTOR
 AUBURN, MAINE

STATE OF VERMONT AGENCY OF TRANSPORTATION
 COUNTY OF ADDISON

TOWN OF MIDDLEBURY
 ROUTE NO. VT 125, EAST MIDDLEBURY GORGE
 BRIDGE NO.: 13 PROJECT NO.: RS 0174(B)

DATE: OCT. 9, 2013
 SCALE: NOTED
 CHKD: DFTM: T.D.
 JOB NO: 23411-013
 DWG. NO: PA5

3-26-14 GENERAL REVISION T.D.
 2-11-14 GENERAL REVISION T.D.