

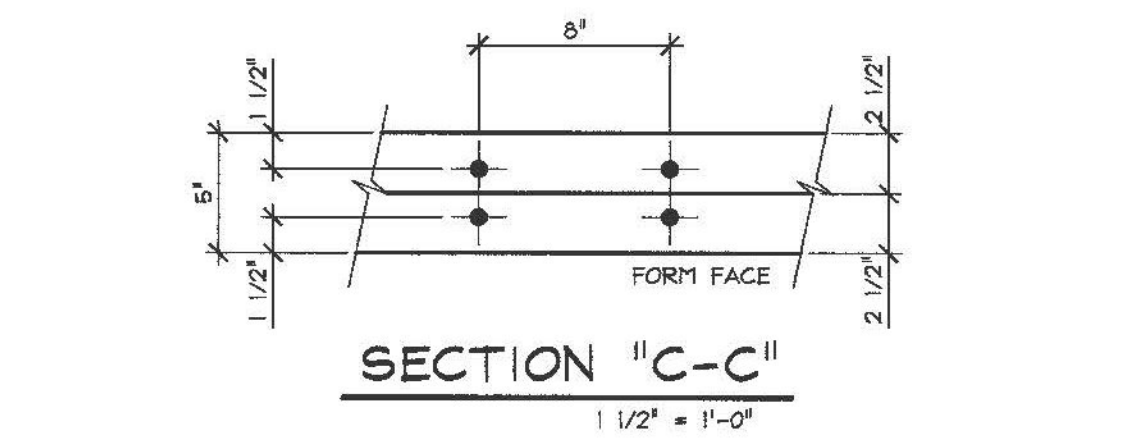
RECEIVED

ON: **April 2, 2014**

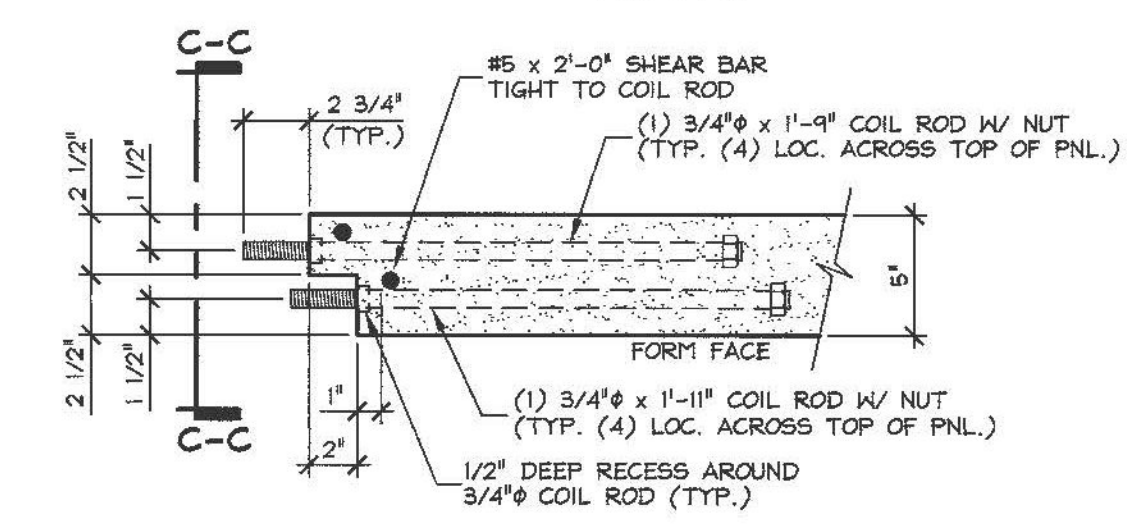
and Checked for

CONFORMANCE

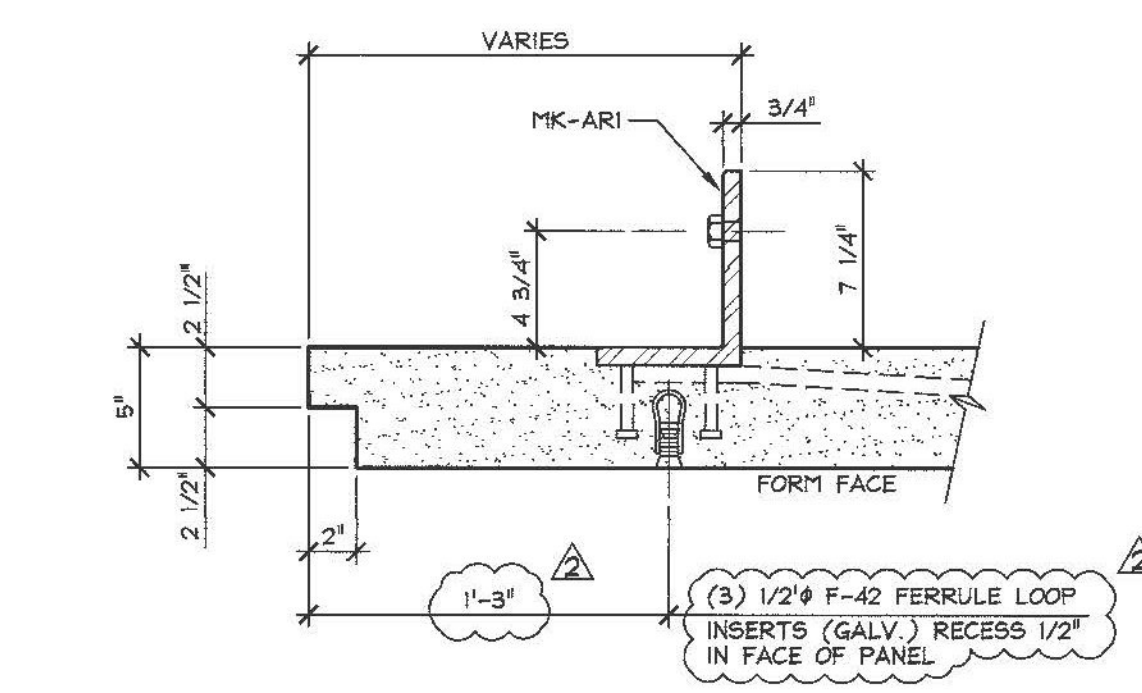
BY: **Jennifer Fitch** DATE: **04/04/2014**



SECTION "C-C"
1 1/2" = 1'-0"



C TOP EDGE SECTION
1 1/2" = 1'-0"



D TOP EDGE SECTION
1 1/2" = 1'-0"

4500 PSI @ RELEASE
5000 PSI @ 28 DAYS
MIX DESIGN: 44M5CC

SHOP DRAWING REVIEW

REVIEWED AS REQUIRED BY THE CONSTRUCTION CONTRACT DOCUMENTS AND APPROVED, BUT ONLY FOR CONFORMANCE TO THE DESIGN CONCEPT OF THE WORK, AND SUBJECT TO FURTHER LIMITATIONS AND REQUIREMENTS CONTAINED IN THE CONSTRUCTION CONTRACT DOCUMENTS.

REJECTED REVISE AND RESUBMIT FURNISH AS CORRECTED

CORRECTIONS OR COMMENTS MADE ON THE SHOP DRAWINGS DURING THIS REVIEW DO NOT RELIEVE CONTRACTOR FROM COMPLIANCE WITH REQUIREMENTS OF THE DRAWINGS AND SPECIFICATIONS. THIS CHECK IS ONLY FOR REVIEW OF GENERAL CONFORMANCE WITH THE DESIGN CONCEPT OF THE PROJECT AND GENERAL COMPLIANCE WITH THE INFORMATION GIVEN IN THE CONTRACT DOCUMENTS. THE CONTRACTOR IS RESPONSIBLE FOR: CONFIRMING AND CORRELATING ALL QUANTITIES AND DIMENSIONS; SELECTING FABRICATION PROCESSES AND TECHNIQUES OF CONSTRUCTION; COORDINATING HIS WORK WITH THAT OF ALL OTHER TRADES; AND PERFORMING HIS WORK IN A SAFE AND SATISFACTORY MANNER.

Job Number: 57438
Reviewed By: G.S. Goodrich
Date: 4/4/2014

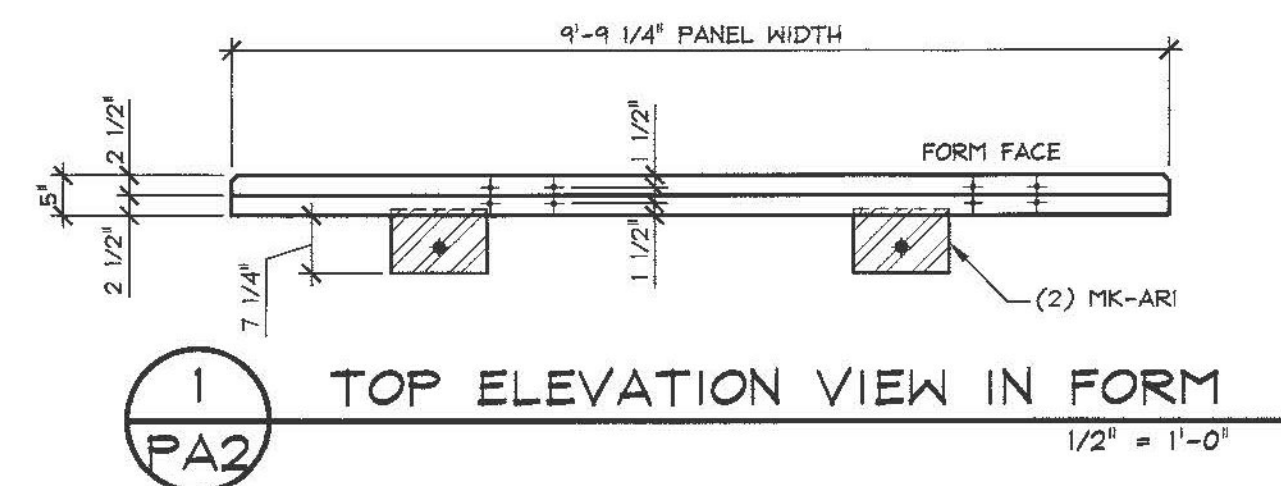
VHB

MATERIAL LIST / ARCHITECTURAL PANEL			
ITEM	MARK	DESCRIPTION	QTY.
1	MK-ARI	4 8 x 6 x 3/4 x 1'-0" LLH W/ ANCHORS (GALV.)	2
2		3/4" x 1'-9" COIL ROD W/ NUT (GALV.)	4
3		3/4" x 1'-11" COIL ROD W/ NUT (GALV.)	4
4		DAYTON P30 COREHALL C5835 SLOTTED INSERT (GALV.)	4
5		DAYTON 4T x 3 3/4" SWIFT LIFT (BLACK) (WITH RECESS PLUG)	4
6		1/2" F-42 FERRULE LOOP INSERT (GALV.)	3
7			
8			
9		#5 x 2'-0" (LEVEL II, DUAL COATED)	4
10		#4 x 12'-4" (LEVEL II, DUAL COATED)	1
11		#6 x 9'-5 1/4" (LEVEL II, DUAL COATED)	13
12		#6 x 11'-11" (LEVEL II, DUAL COATED)	10
13			
14			
15			

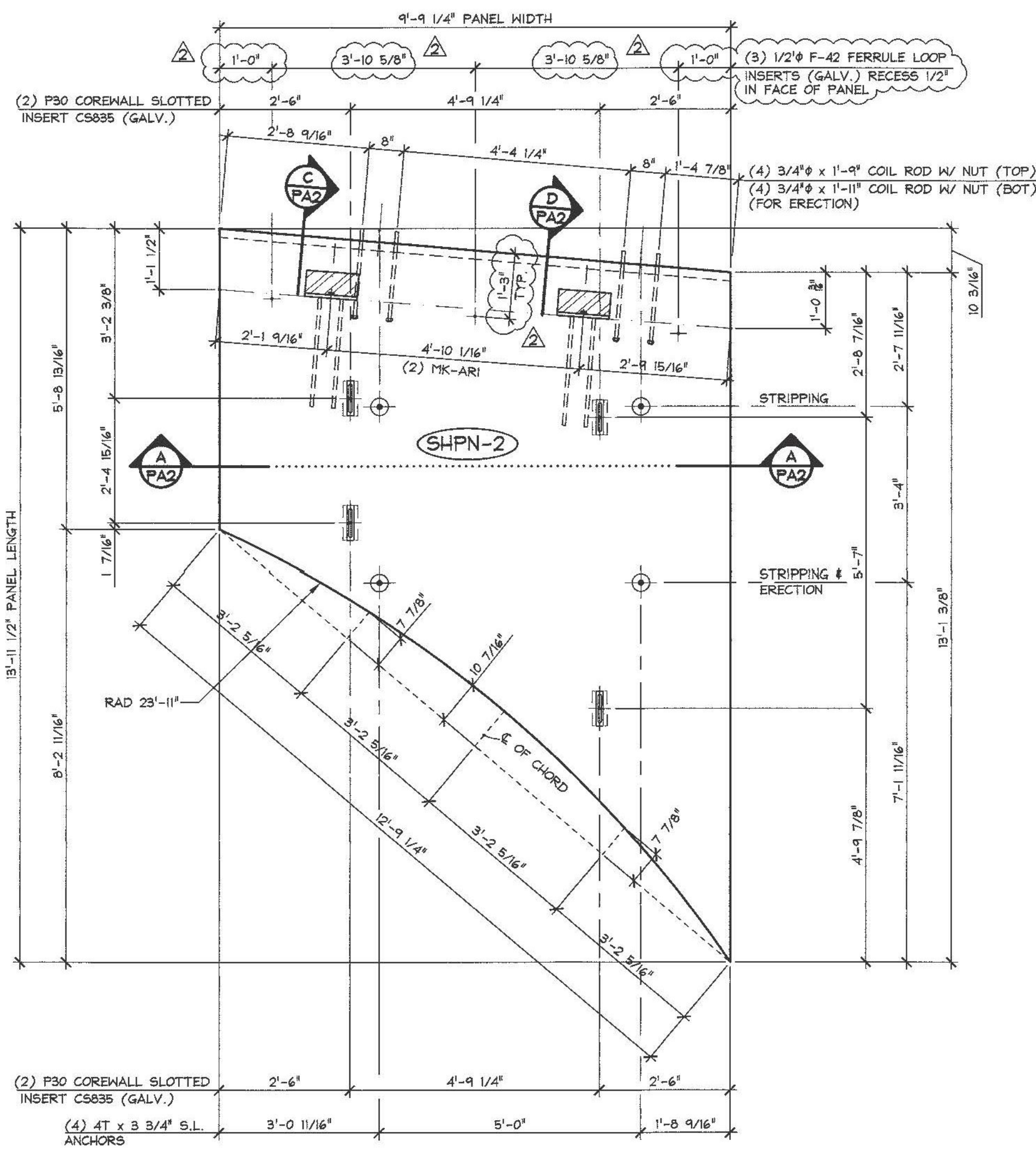
ISSUED FOR PRODUCTION
APR 01 2014
J.P. CARRARA & SONS, INC.
MIDDLEBURY, VT 05753

APPROVAL STAMP:

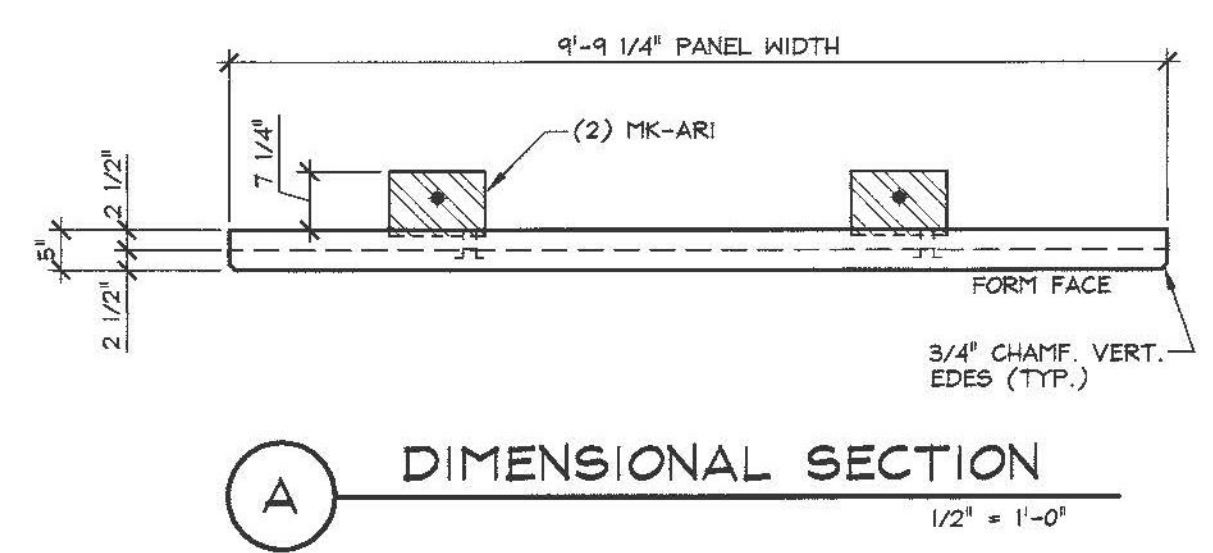
J.P. CARRARA & SONS INC. Precast & Prestress Manufacturer 2444 DEXE STR., MIDDLEBURY, VERMONT 05753 Phone: (802)388-6361 Fax: (802)388-9010	T. BUCK CONSTRUCTION CONTRACTOR AUBURN, MAINE
STATE OF VERMONT AGENCY OF TRANSPORTATION COUNTY OF ADDISON	DATE: OCT. 9, 2013 SCALE: NOTED
TOWN OF MIDDLEBURY ROUTE NO. VT 125, EAST MIDDLEBURY GORGE BRIDGE NO.: 13 PROJECT NO.: RS 0174(B)	CHKD: DFTM: T.D. JOB NO: 23411-013
P/C ARCHITECTURAL PANEL DETAILS	DWG. NO: PA2



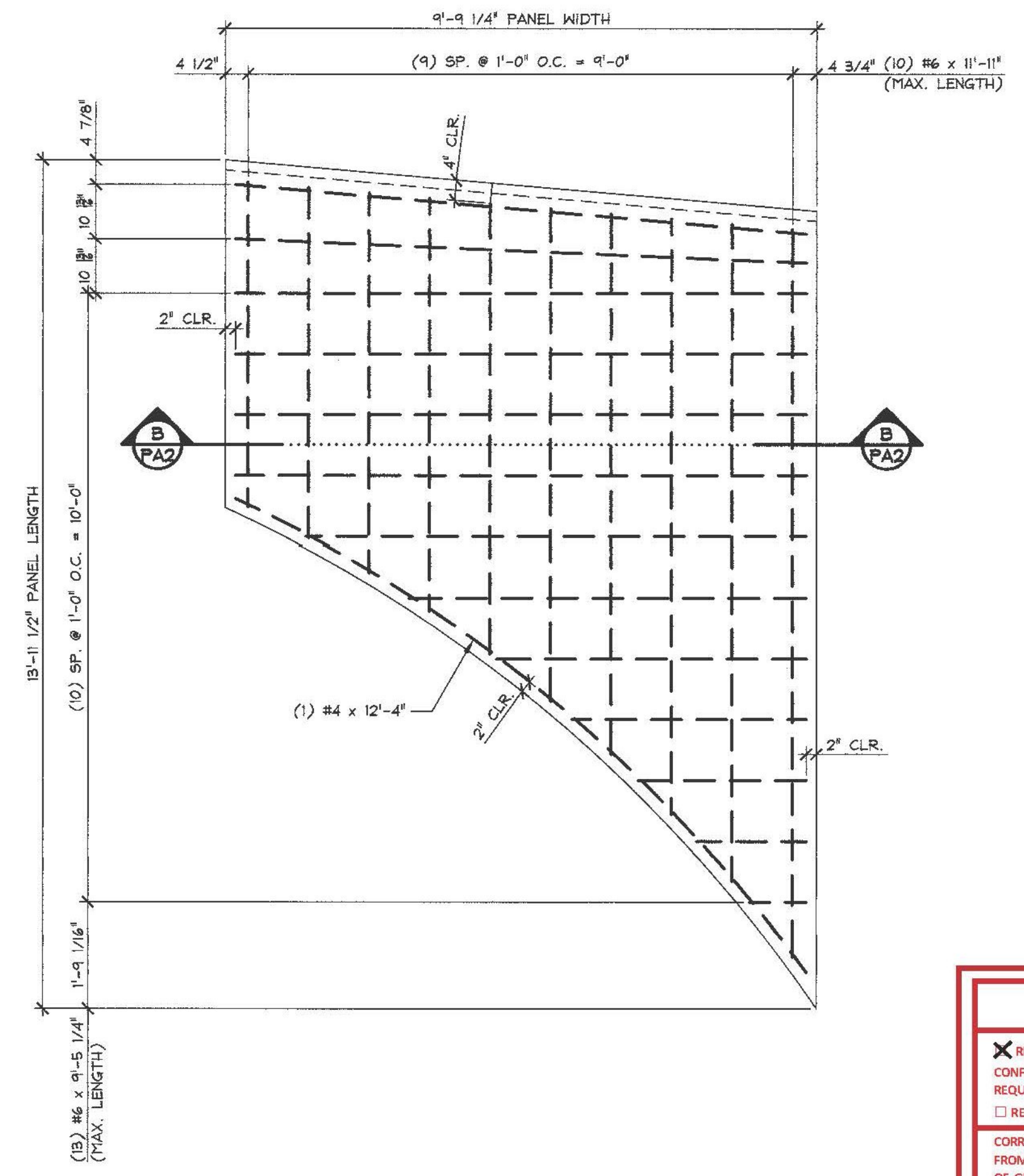
1 TOP ELEVATION VIEW IN FORM
1/2" = 1'-0"



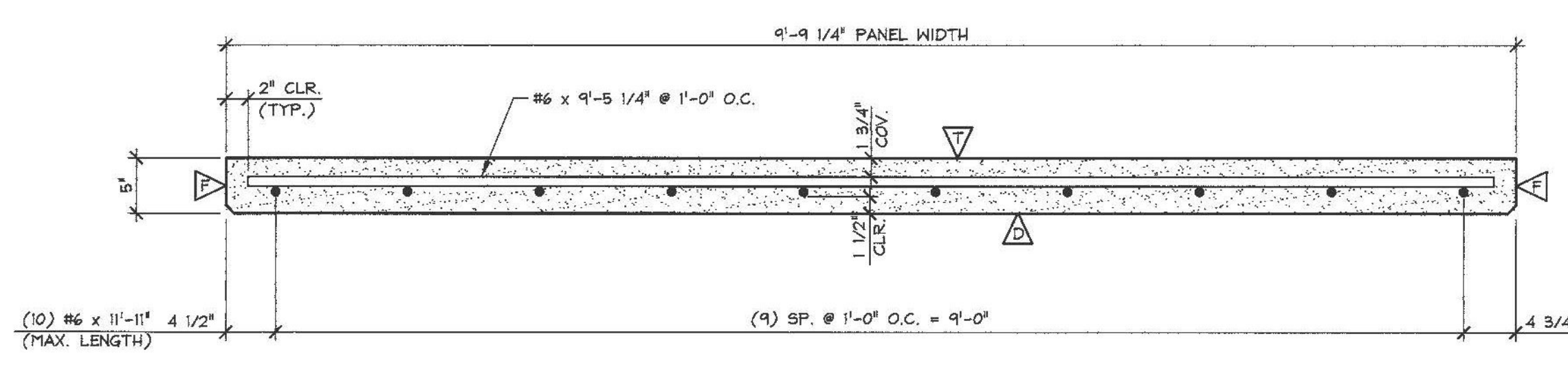
2 PLAN VIEW IN FORM
1/2" = 1'-0"



A DIMENSIONAL SECTION
1/2" = 1'-0"



3 REINFORCING PLAN VIEW IN FORM
1/2" = 1'-0"



B REINFORCING SECTION
1/2" = 1'-0"

3-26-14 GENERAL REVISION T.D.
2-11-14 GENERAL REVISION T.D.