

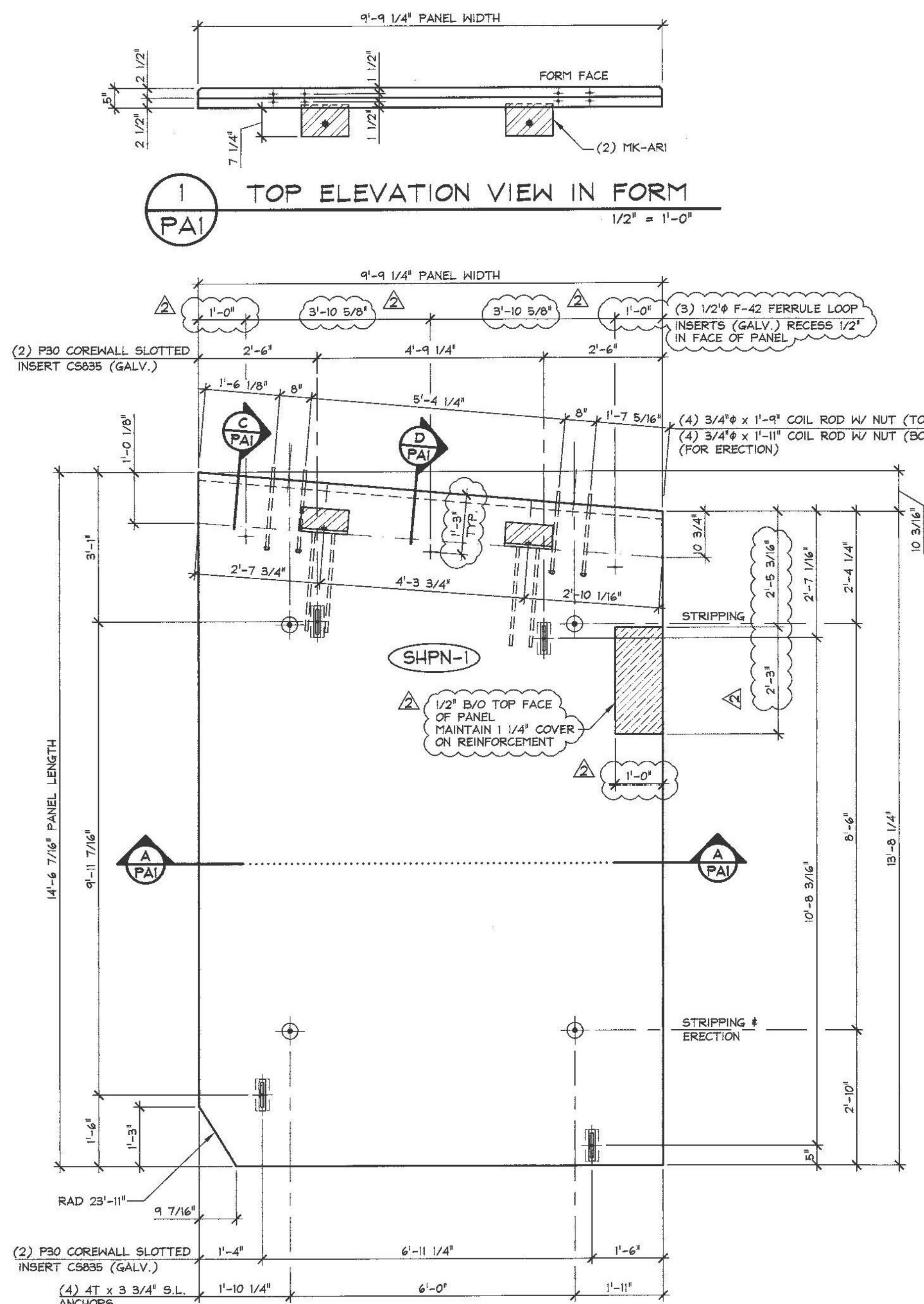
RECEIVED

ON: April 2, 2014

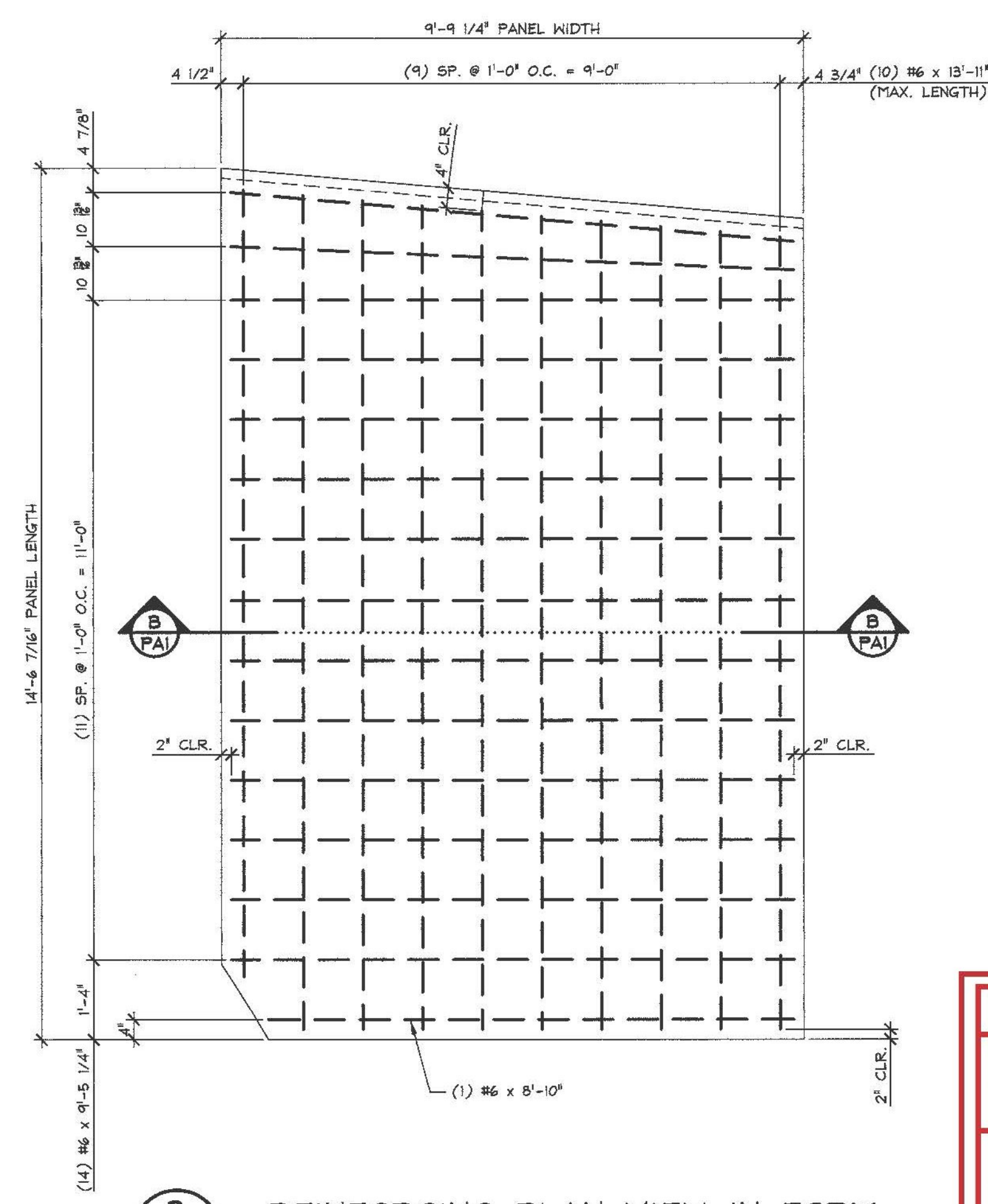
and Checked for

CONFORMANCE

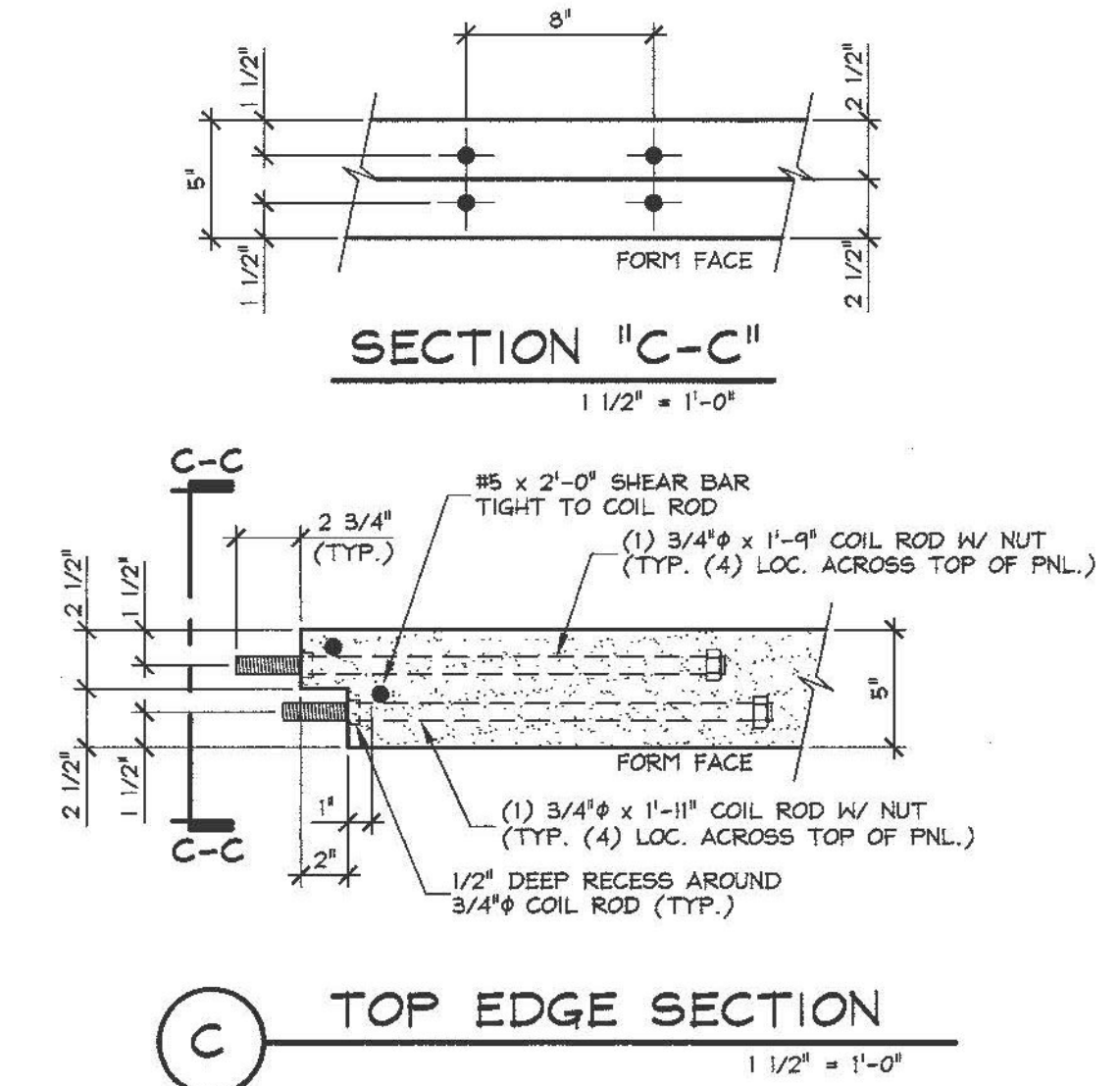
BY: Jennifer Fitch DATE: 04/04/2014



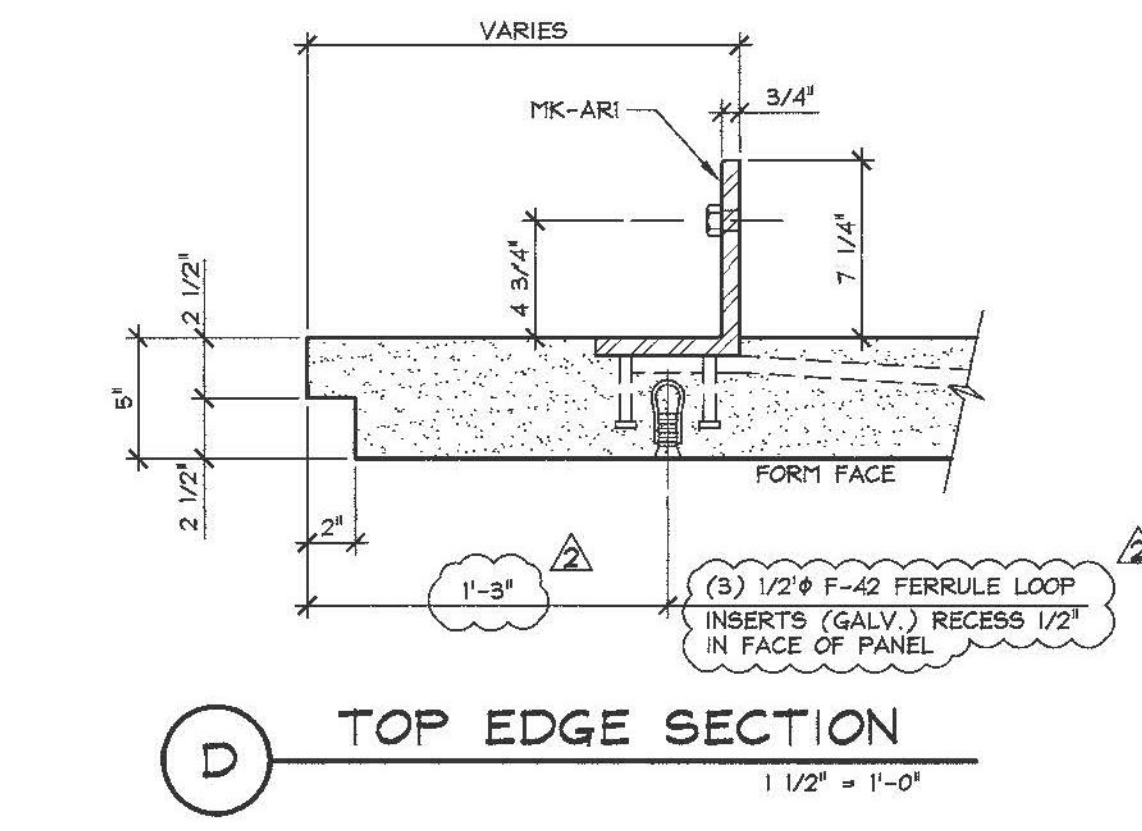
1 TOP ELEVATION VIEW IN FORM
1/2" = 1'-0"



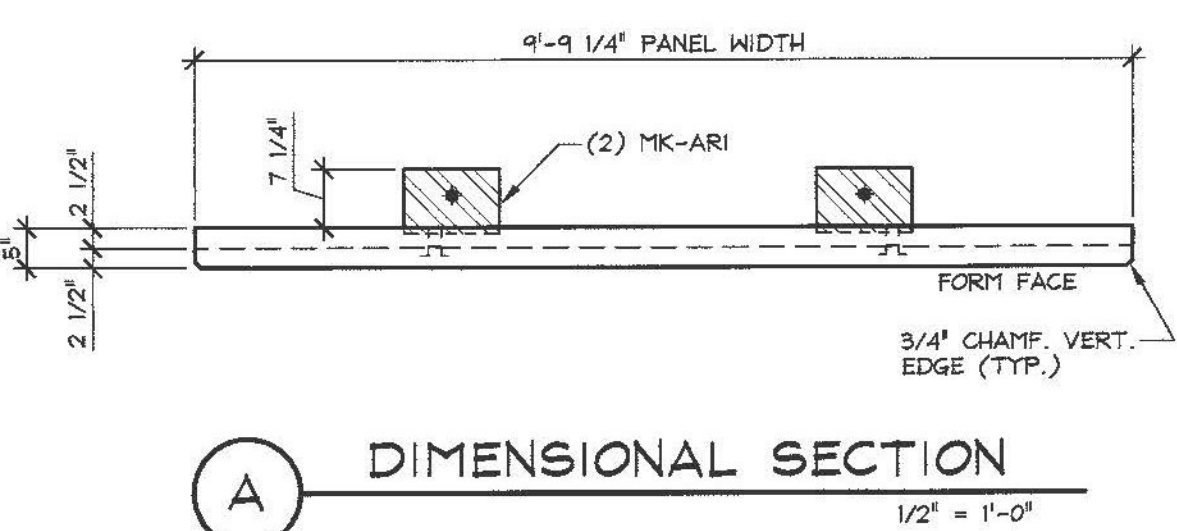
3 REINFORCING PLAN VIEW IN FORM
1/2" = 1'-0"



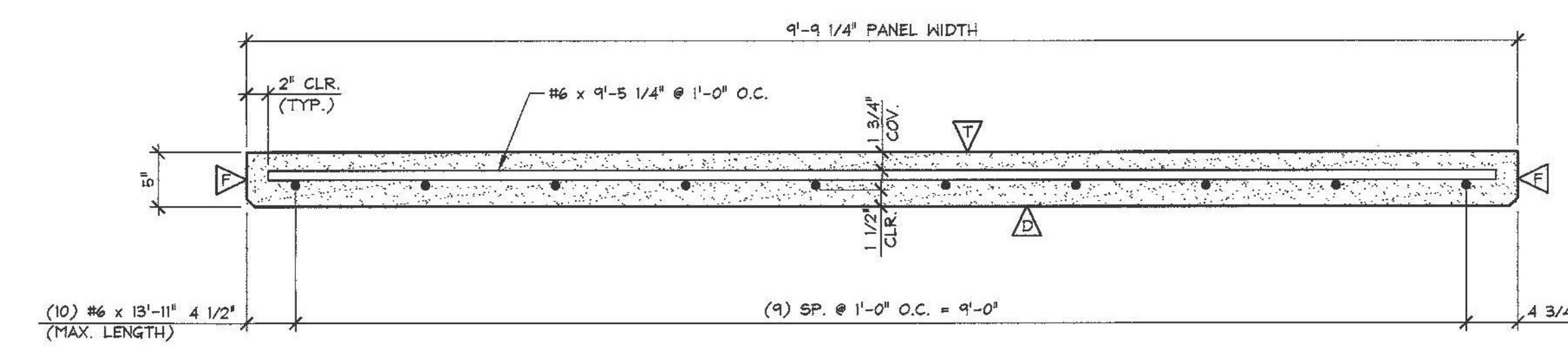
C TOP EDGE SECTION
1/2" = 1'-0"



D TOP EDGE SECTION
1/2" = 1'-0"



A DIMENSIONAL SECTION
1/2" = 1'-0"



B REINFORCING SECTION
1" = 1'-0"

SHOP DRAWING REVIEW

REVIEWED AS REQUIRED BY THE CONSTRUCTION CONTRACT DOCUMENTS AND APPROVED, BUT ONLY FOR CONFORMANCE TO THE DESIGN CONCEPT OF THE WORK, AND SUBJECT TO FURTHER LIMITATIONS AND REQUIREMENTS CONTAINED IN THE CONSTRUCTION CONTRACT DOCUMENTS.

REJECTED REVISE AND RESUBMIT FURNISH AS CORRECTED

CORRECTIONS OR COMMENTS MADE ON THE SHOP DRAWINGS DURING THIS REVIEW DO NOT RELIEVE CONTRACTOR FROM COMPLIANCE WITH REQUIREMENTS OF THE DRAWINGS AND SPECIFICATIONS. THIS CHECK IS ONLY FOR REVIEW OF GENERAL CONFORMANCE WITH THE DESIGN CONCEPT OF THE PROJECT AND GENERAL COMPLIANCE WITH THE INFORMATION GIVEN IN THE CONTRACT DOCUMENTS. THE CONTRACTOR IS RESPONSIBLE FOR: CONFIRMING AND CORRELATING ALL QUANTITIES AND DIMENSIONS; SELECTING FABRICATION PROCESSES AND TECHNIQUES OF CONSTRUCTION; COORDINATING HIS WORK WITH THAT OF ALL OTHER TRADES; AND PERFORMING HIS WORK IN A SAFE AND SATISFACTORY MANNER.

VHB Job Number: 57438
Reviewed By: G.S. Goodrich
Date: 4/4/2014

3500 PSI @ RELEASE
5000 PSI @ 28 DAYS
MIX DESIGN: 445MSCC

MARK: SHPN-1	QTY.: 1	WT.: 4.29 T	VOL.: 2.12 cy
MATERIAL LIST / ARCHITECTURAL PANEL			
ITEM	MARK	DESCRIPTION	QTY.
1	MK-ARI	4 8 x 6 x 3/4 x 1'-0" LLH W/ ANCHORS (GALV.)	2
2		3/4" x 1'-9" COIL ROD W/ NUT (GALV.)	4
3		3/4" x 1'-11" COIL ROD W/ NUT (GALV.)	4
4		DAYTON P30 COREWALL C5835 SLOTTED INSERT (GALV.)	4
5		DAYTON 4T x 3 3/4" SHIFLIFT (BLACK) (WITH RECESS PLUG)	4
6		1/2" F-42 FERRULE LOOP INSERT (GALV.)	3
7			
8			
9		#5 x 2'-0" (LEVEL II, DUAL COATED)	4
10		#6 x 8'-10" (LEVEL II, DUAL COATED)	1
11		#6 x 9'-5 1/4" (LEVEL II, DUAL COATED)	14
12		#6 x 13'-11" (LEVEL II, DUAL COATED)	10
13			
14			
15			

ISSUED FOR PRODUCTION
APR 01 2014
J. P. CARRARA & SONS, INC.
MIDDLEBURY, VT 05753

APPROVAL STAMP:
J.P. CARRARA & SONS INC.
Precast & Prestress Manufacturer
244 GEE STR., MIDDLEBURY, VERMONT 05753 Phone: (802)388-6361 Fax: (802)388-9010

T. BUCK CONSTRUCTION
CONTRACTOR
AUBURN, MAINE

STATE OF VERMONT AGENCY OF TRANSPORTATION
COUNTY OF ADDISON

TOWN OF MIDDLEBURY
ROUTE NO. VT 125, EAST MIDDLEBURY GORGE
BRIDGE NO.: 13 PROJECT NO.: RS 0174(B)

P/C ARCHITECTURAL PANEL DETAILS

DATE: OCT. 9, 2013
SCALE: NOTED
CHKD: DFTM: T.D.
JOB NO: 23411-013
DWG. NO: PAI