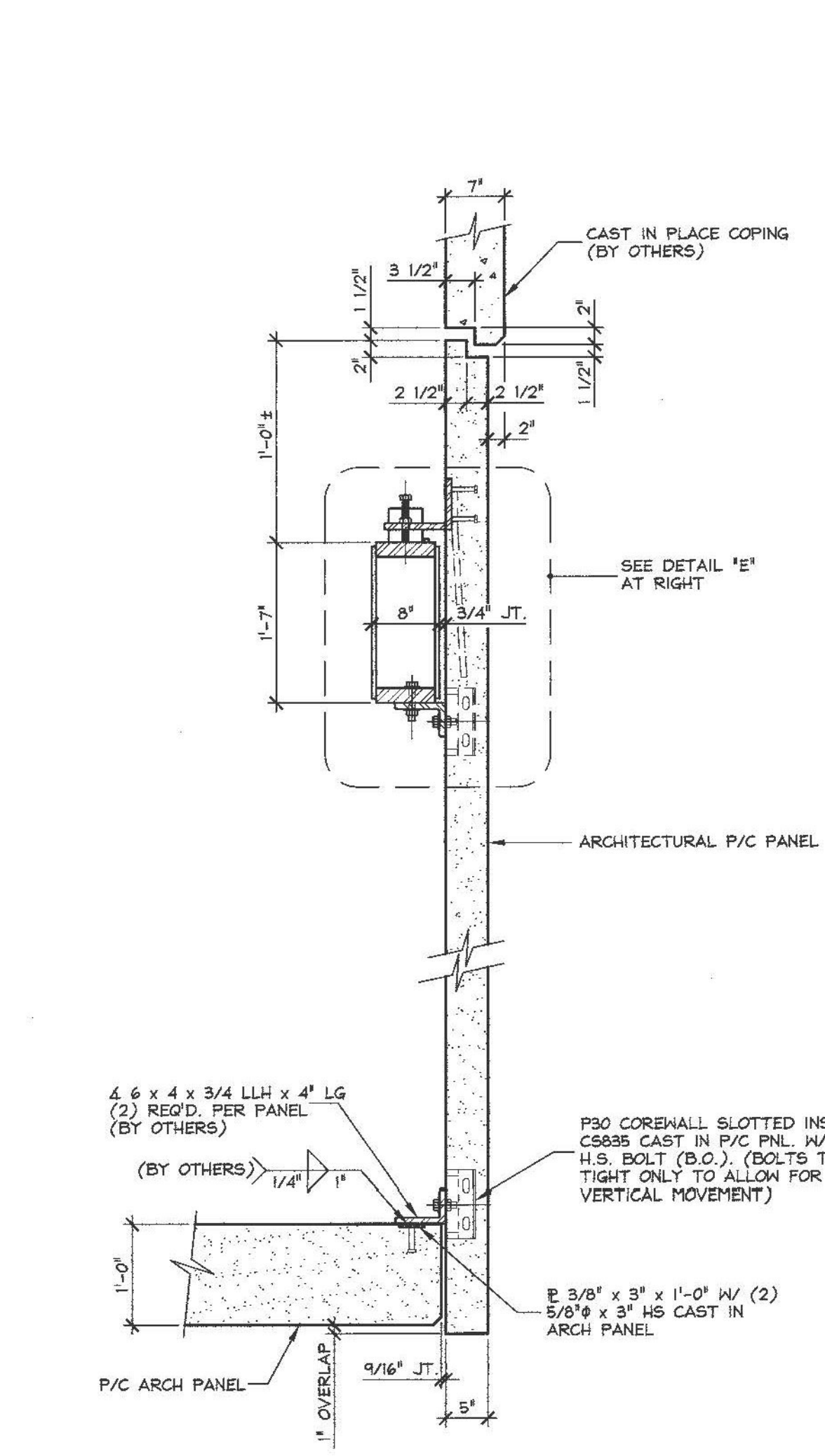


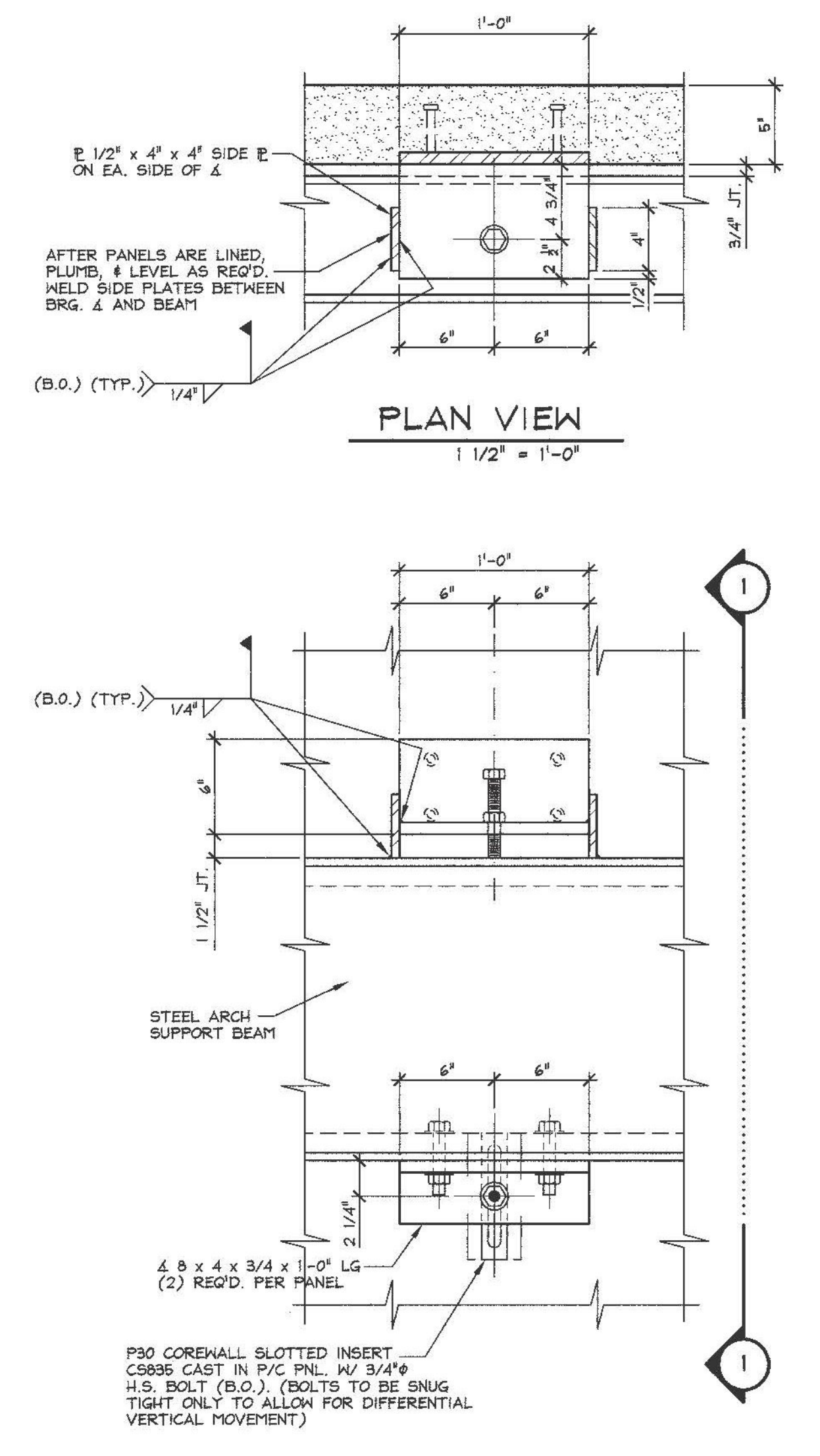
Vermont Agency of Transportation

RECEIVED
 ON: April 2, 2014
 and Checked for
CONFORMANCE

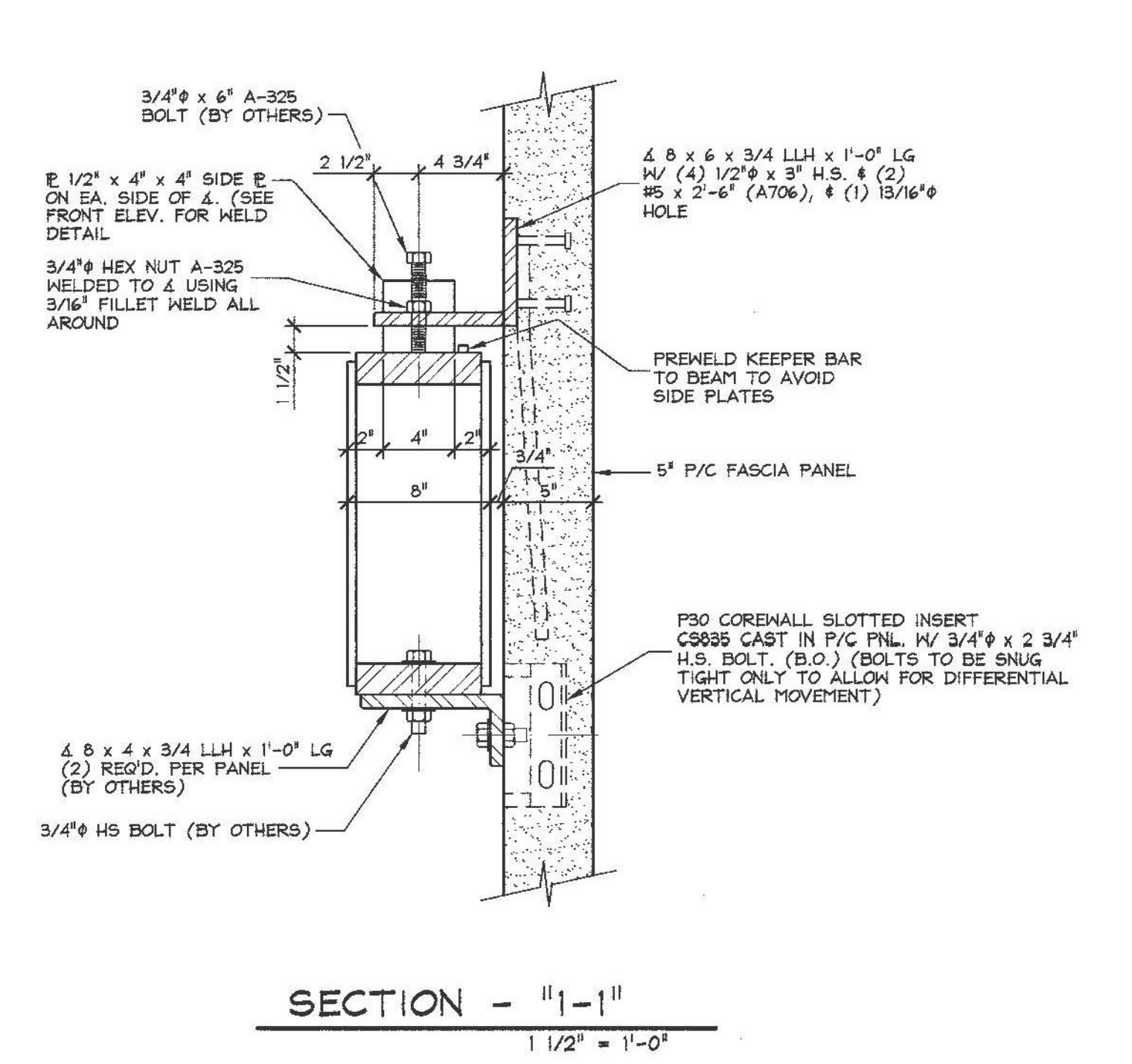
BY: Jennifer Fitch DATE: 04/04/2014



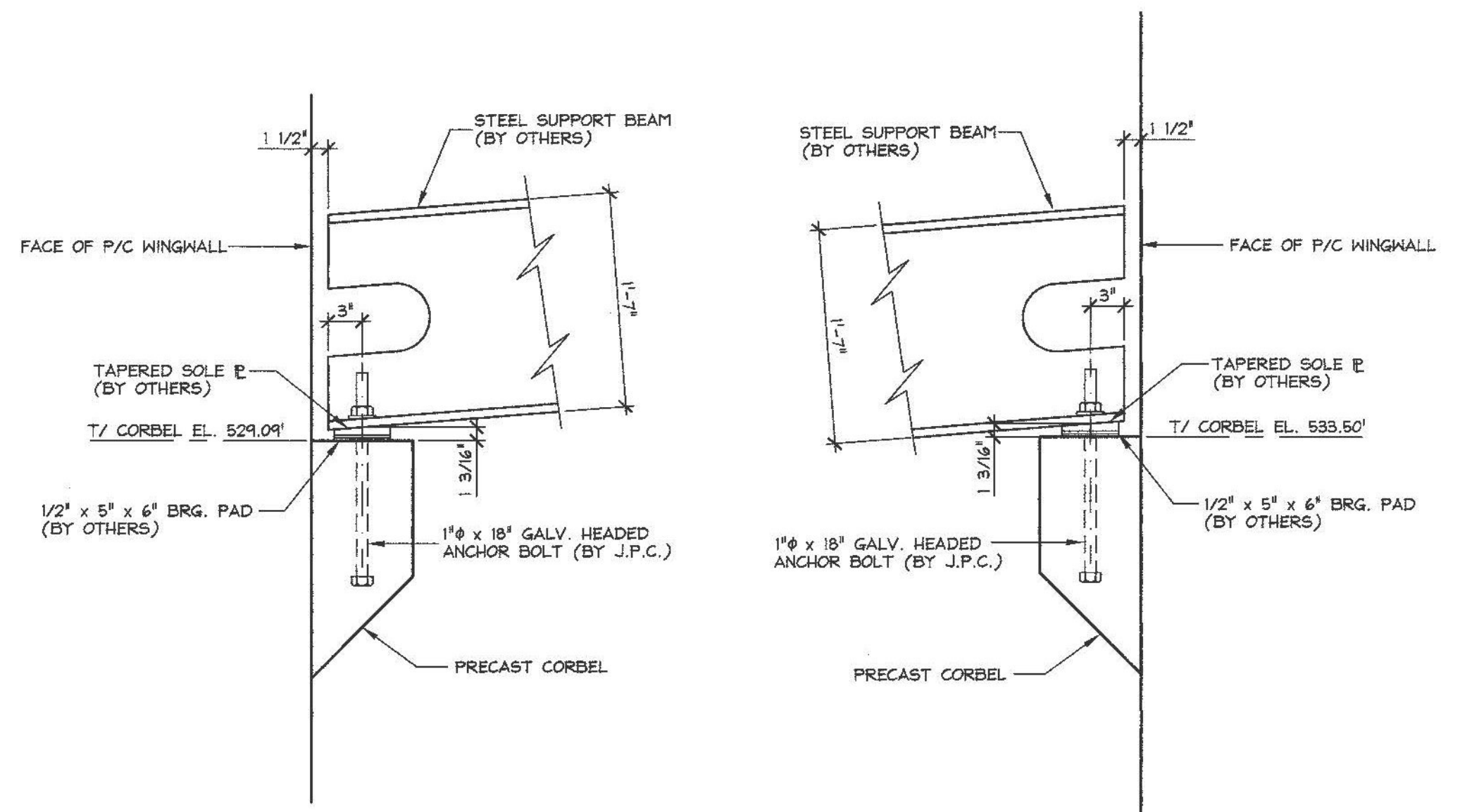
A P/C PANEL CONNECTION DETAIL
 F8 3/4" = 1'-0"



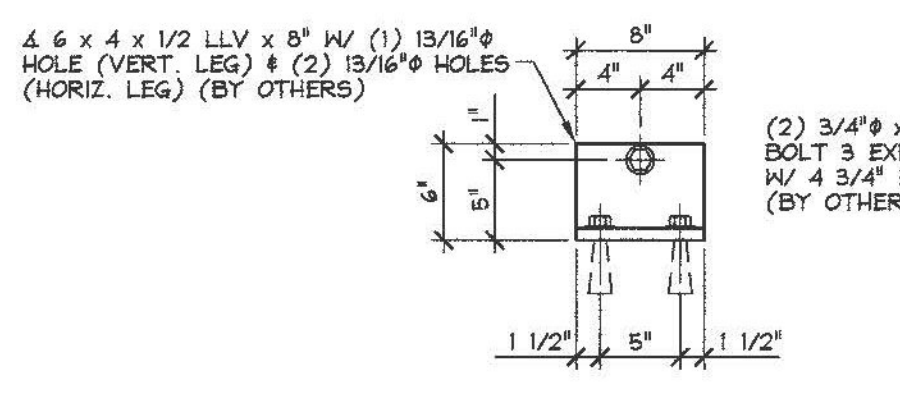
1 FRONT ELEVATION
 1 1/2" = 1'-0"



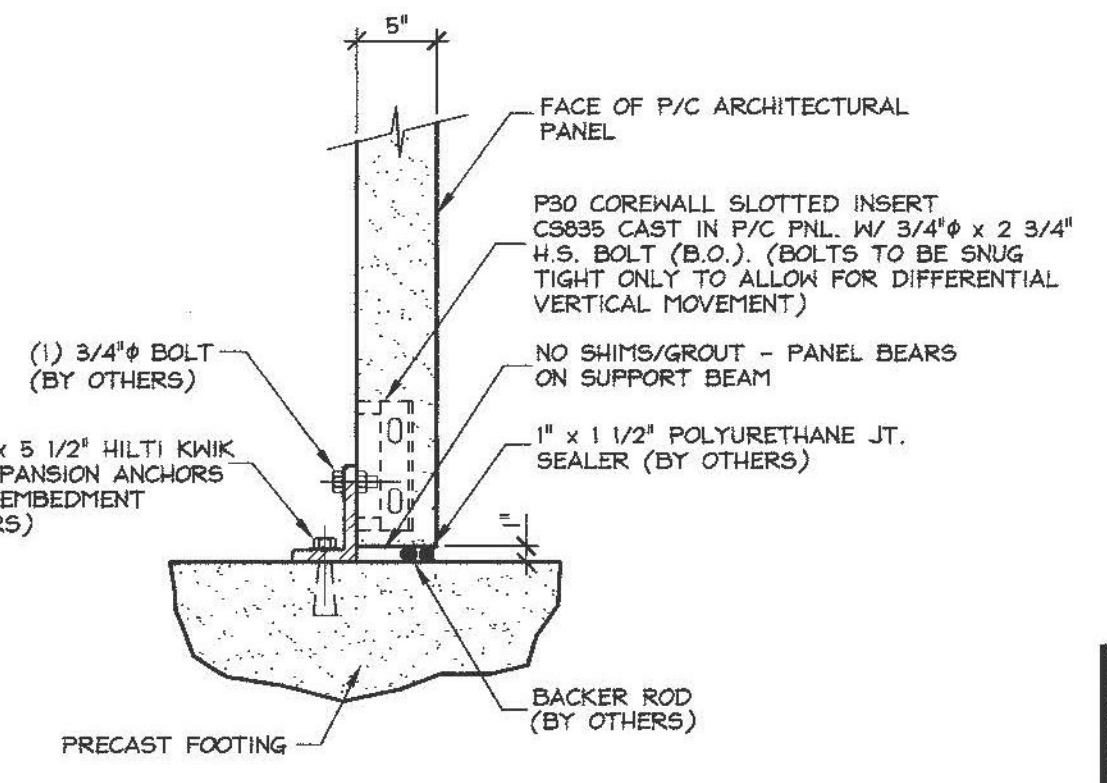
E ENLARGED CONNECTION DETAIL
 F8 1 1/2" = 1'-0"



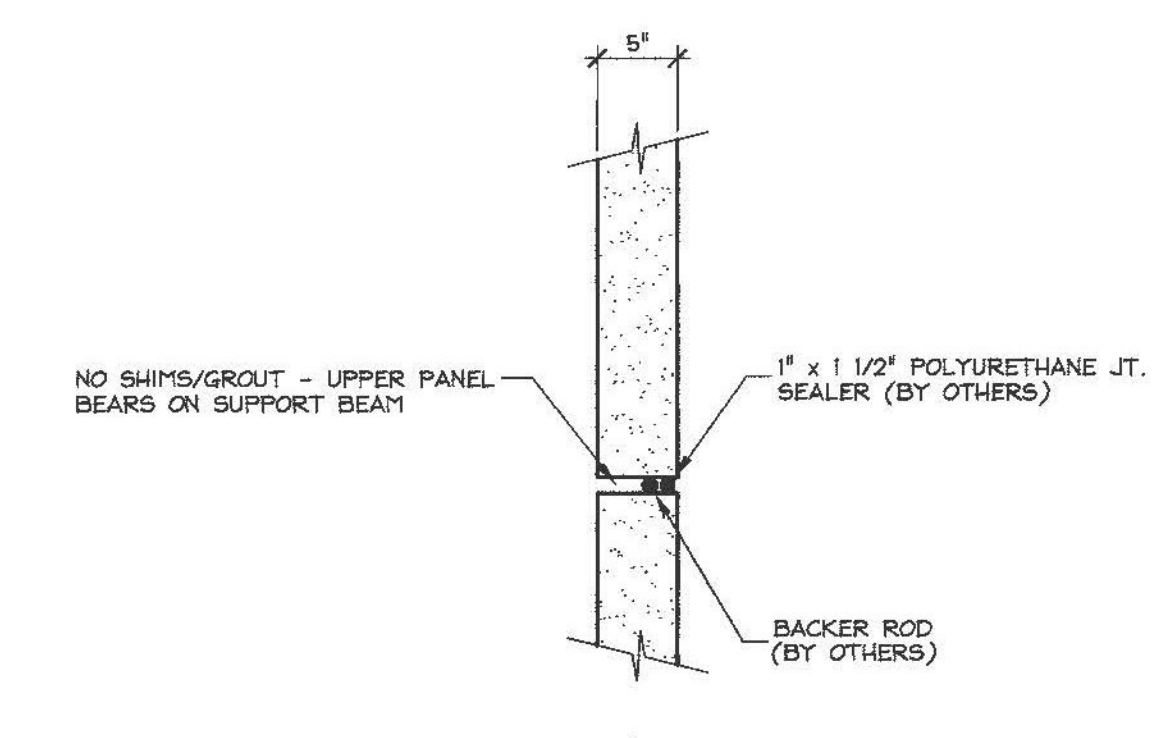
B SUPPORT BEAM @ CORBEL DETAIL
 F8 1" = 1'-0"



C P/C PANEL CONNECTION DETAIL
 F8 1" = 1'-0"



ISSUED FOR PRODUCTION
 APR 01 2014
 J.P. CARRARA & SONS, INC.
 MIDDLEBURY, VT 05753
 1-24-14 GENERAL REVISION T.D.



D PANEL JT. SECTION
 F8 1" = 1'-0"

APPROVAL STAMP:	J.P. CARRARA & SONS INC. Precast & Prestress Manufacturer 244 DEX STR., MIDDLEBURY, VERMONT 05753 Phone: (802)388-6361 Fax: (802)388-9010	T. BUCK CONSTRUCTION CONTRACTOR AUBURN, MAINE
STATE OF VERMONT AGENCY OF TRANSPORTATION COUNTY OF ADDISON		DATE: OCT. 9, 2013 SCALE: NOTED
TOWN OF MIDDLEBURY ROUTE NO. VT 125, EAST MIDDLEBURY GORGE BRIDGE NO.: 19 PROJECT NO.: RS 0174(B)		CHKD: DFTM: T.D. JOB NO: 23411-013
SECTIONS & DETAILS		DWG. NO: F8

SHOP DRAWING REVIEW

REVIEWED AS REQUIRED BY THE CONSTRUCTION CONTRACT DOCUMENTS AND APPROVED, BUT ONLY FOR CONFORMANCE TO THE DESIGN CONCEPT OF THE WORK, AND SUBJECT TO FURTHER LIMITATIONS AND REQUIREMENTS CONTAINED IN THE CONSTRUCTION CONTRACT DOCUMENTS.

REJECTED REVISE AND RESUBMIT FURNISH AS CORRECTED

CORRECTIONS OR COMMENTS MADE ON THE SHOP DRAWINGS DURING THIS REVIEW DO NOT RELIEVE CONTRACTOR FROM COMPLIANCE WITH REQUIREMENTS OF THE DRAWINGS AND SPECIFICATIONS. THIS CHECK IS ONLY FOR REVIEW OF GENERAL CONFORMANCE WITH THE DESIGN CONCEPT OF THE PROJECT AND GENERAL COMPLIANCE WITH THE INFORMATION GIVEN IN THE CONTRACT DOCUMENTS. THE CONTRACTOR IS RESPONSIBLE FOR CONFIRMING AND CORRELATING ALL QUANTITIES AND DIMENSIONS; SELECTING FABRICATION PROCESSES AND TECHNIQUES OF CONSTRUCTION; COORDINATING HIS WORK WITH THAT OF ALL OTHER TRADES; AND PERFORMING HIS WORK IN A SAFE AND SATISFACTORY MANNER.

VHB Job Number: 57438
 Reviewed By: G.S. Goodrich
 Date: 4/4/2014

F:\VT-Bridges\East Middlebury Gorge\23411-013 F8.dwg, 1/30/2014 9:53:48 AM