

RECEIVED

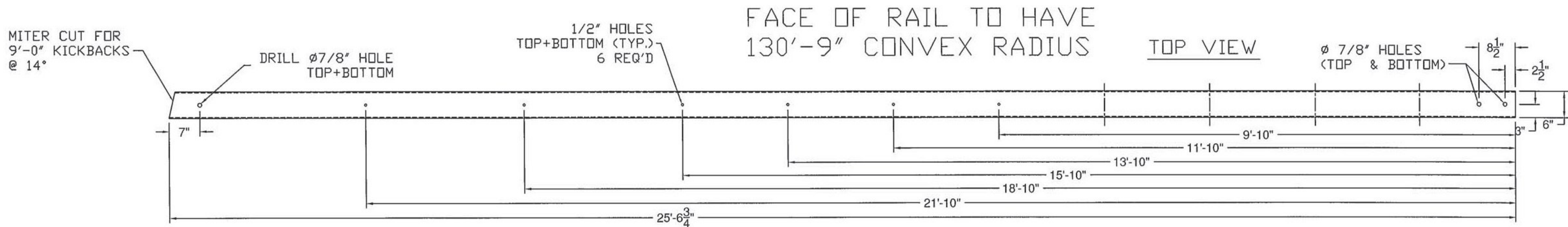
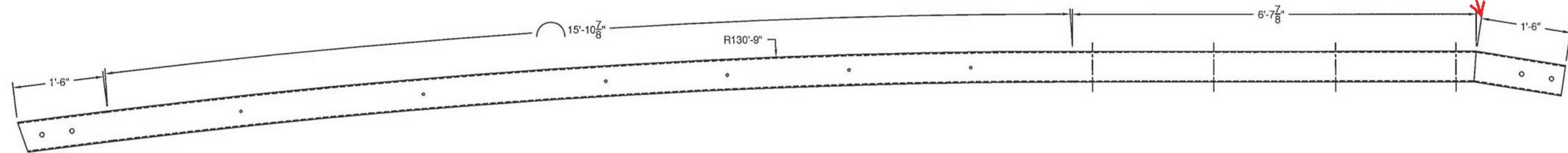
ON: June 26, 2014
and Checked for
CONFORMANCE

BY: Jennifer Fitch DATE: 06/30/2014

SHOP DRAWING REVIEW	
<input type="checkbox"/> REVIEWED AS REQUIRED BY THE CONSTRUCTION CONTRACT DOCUMENTS AND APPROVED, BUT ONLY FOR CONFORMANCE TO THE DESIGN CONCEPT OF THE WORK, AND SUBJECT TO FURTHER LIMITATIONS AND REQUIREMENTS CONTAINED IN THE CONSTRUCTION CONTRACT DOCUMENTS.	<input checked="" type="checkbox"/> FURNISH AS CORRECTED
<input type="checkbox"/> REJECTED	<input type="checkbox"/> REVISE AND RESUBMIT
CORRECTIONS OR COMMENTS MADE ON THE SHOP DRAWINGS DURING THIS REVIEW DO NOT RELIEVE CONTRACTOR FROM COMPLIANCE WITH REQUIREMENTS OF THE DRAWINGS AND SPECIFICATIONS. THIS CHECK IS ONLY FOR REVIEW OF GENERAL CONFORMANCE WITH THE DESIGN CONCEPT OF THE PROJECT AND GENERAL COMPLIANCE WITH THE INFORMATION GIVEN IN THE CONTRACT DOCUMENTS. THE CONTRACTOR IS RESPONSIBLE FOR: CONFIRMING AND CORRELATING ALL QUANTITIES AND DIMENSIONS; SELECTING FABRICATION PROCESSES AND TECHNIQUES OF CONSTRUCTION; COORDINATING HIS WORK WITH THAT OF ALL OTHER TRADES; AND PERFORMING HIS WORK IN A SAFE AND SATISFACTORY MANNER.	
VHB	Job Number: <u>97A38</u> Reviewed By: <u>G.S. Goodrich</u> Date: <u>6-27-14</u>

Per phone call with Eugene Peek of Elderlee, Inc. at 11:15 on 6/27/2014 (315)789-6670, the angle comment shown below corresponds to the Elderlee's detail as drawn. This angle matches the deflection angle required by design.

Angle 8.905722 degrees



WW2

