

Vermont Agency of Transportation

RECEIVED

ON: June 26, 2014

and Checked for

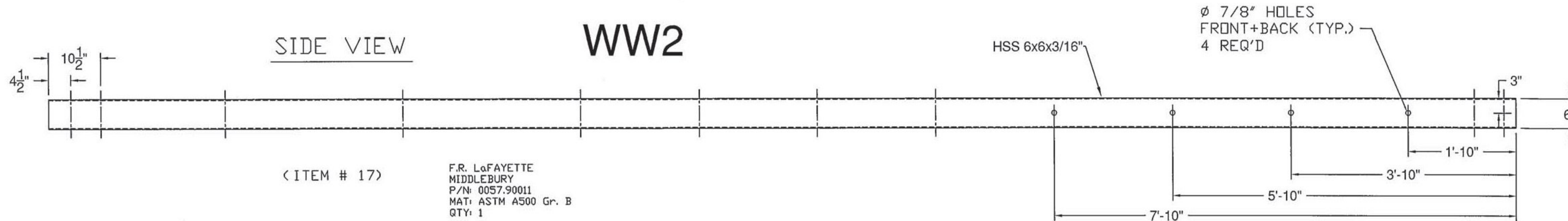
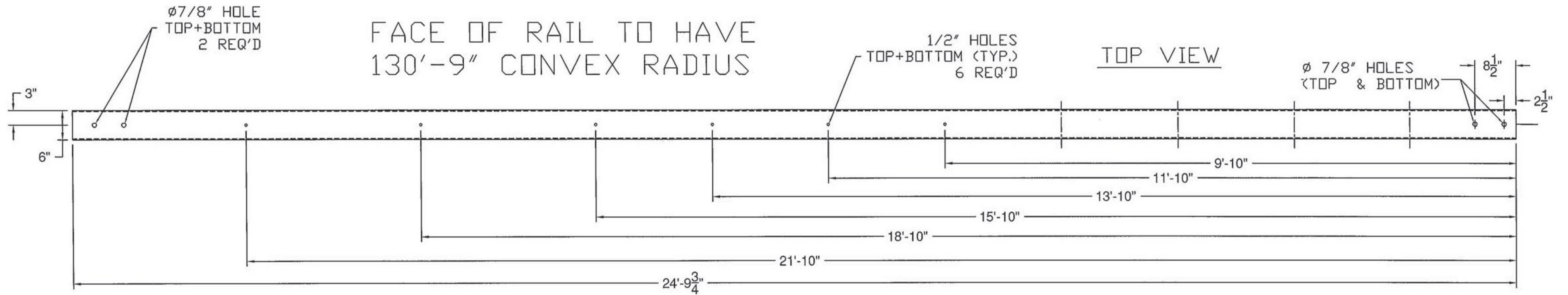
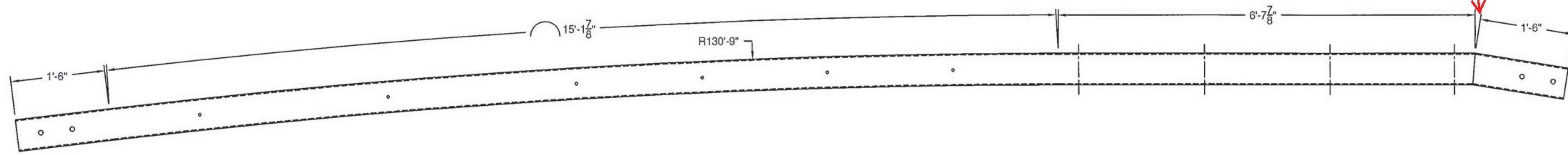
CONFORMANCE

BY: Jennifer Fitch DATE: 06/30/2014

SHOP DRAWING REVIEW	
<input type="checkbox"/> REVIEWED AS REQUIRED BY THE CONSTRUCTION CONTRACT DOCUMENTS AND APPROVED, BUT ONLY FOR CONFORMANCE TO THE DESIGN CONCEPT OF THE WORK, AND SUBJECT TO FURTHER LIMITATIONS AND REQUIREMENTS CONTAINED IN THE CONSTRUCTION CONTRACT DOCUMENTS.	
<input type="checkbox"/> REJECTED	<input type="checkbox"/> REUSE AND RESUBMIT
<input checked="" type="checkbox"/> FURNISHAS CORRECTED	
<small>CORRECTIONS OR COMMENTS MADE ON THE SHOP DRAWINGS DURING THIS REVIEW DO NOT RELIEVE CONTRACTOR FROM COMPLIANCE WITH REQUIREMENTS OF THE DRAWINGS AND SPECIFICATIONS. THIS CHECK IS ONLY FOR REVIEW OF GENERAL CONFORMANCE WITH THE DESIGN CONCEPT OF THE PROJECT AND GENERAL COMPLIANCE WITH THE INFORMATION GIVEN IN THE CONTRACT DOCUMENTS. THE CONTRACTOR IS RESPONSIBLE FOR: CONFIRMING AND CORRELATING ALL QUANTITIES AND DIMENSIONS; SELECTING FABRICATION PROCESSES AND TECHNIQUES OF CONSTRUCTION; COORDINATING HIS WORK WITH THAT OF ALL OTHER TRADES; AND PERFORMING HIS WORK IN A SAFE AND SATISFACTORY MANNER.</small>	
<b>VHB</b>	Job Number: <u>57458</u> Reviewed By: <u>G.S. Goodrich</u> Date: <u>6-27-14</u>

Per phone call with Eugene Peek of Elderlee, Inc. at 11:15 on 6/27/2014 (315)789-6670, the angle comment shown below corresponds to the Elderlee's detail as drawn. This angle matches the deflection angle required by design.

Angle 8.905722 degrees



(ITEM # 17)  
 F.R. LaFAYETTE  
 MIDDLEBURY  
 P/N: 0057.90011  
 MAT: ASTM A500 Gr. B  
 QTY: 1