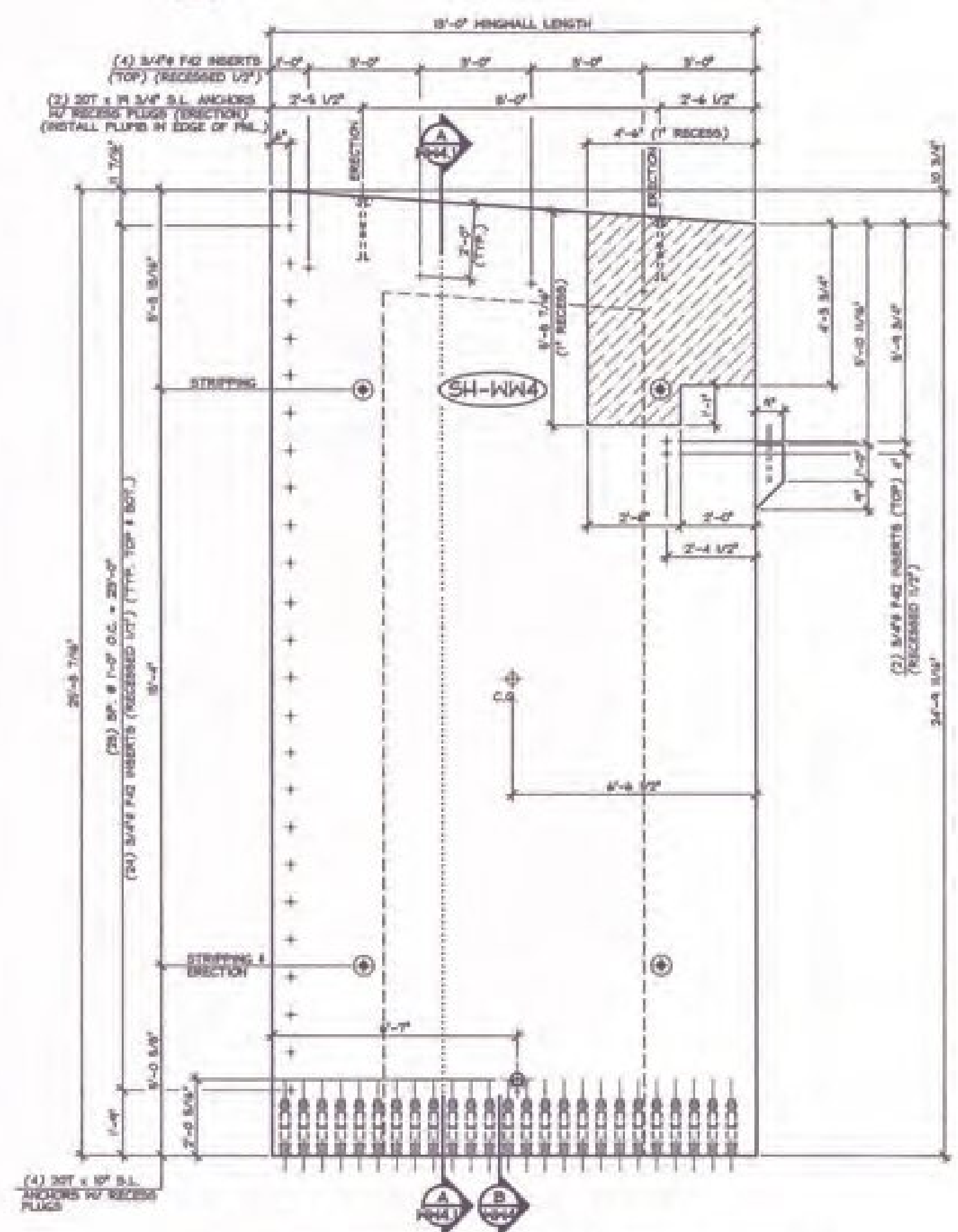
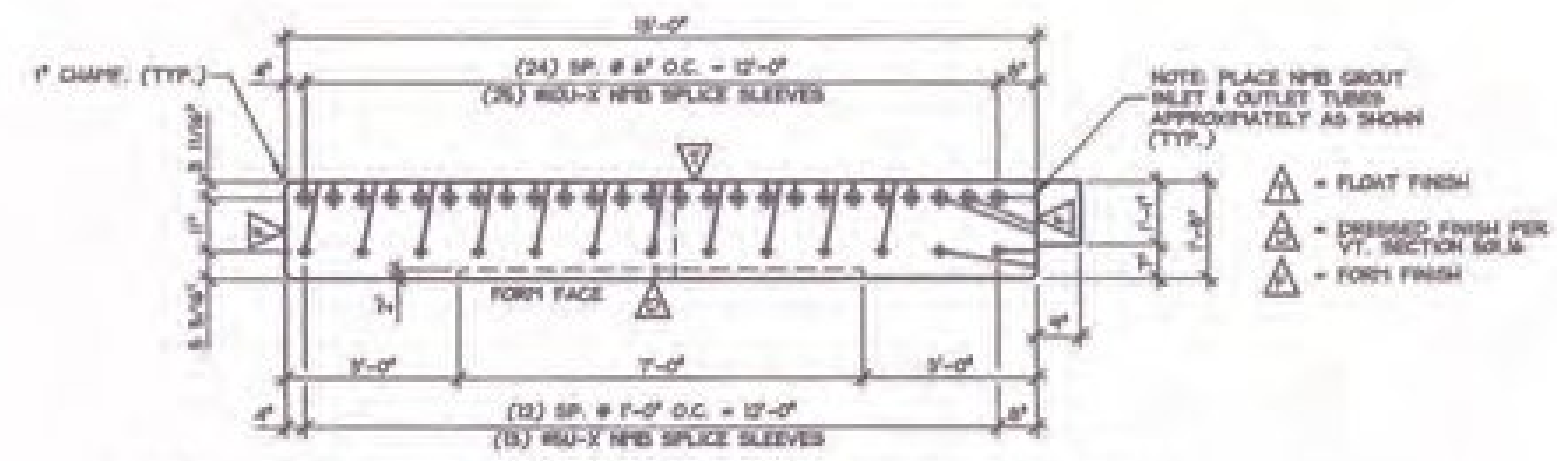


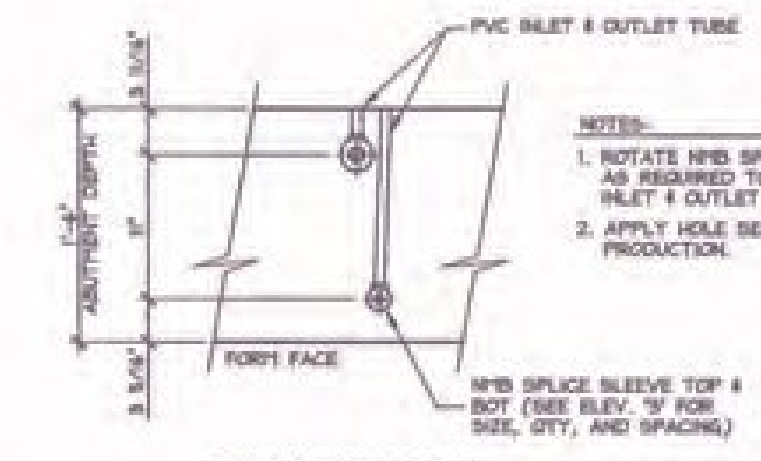
1 DIMENSIONAL TOP ELEVATION IN FORM
3/8" = 1'-0"



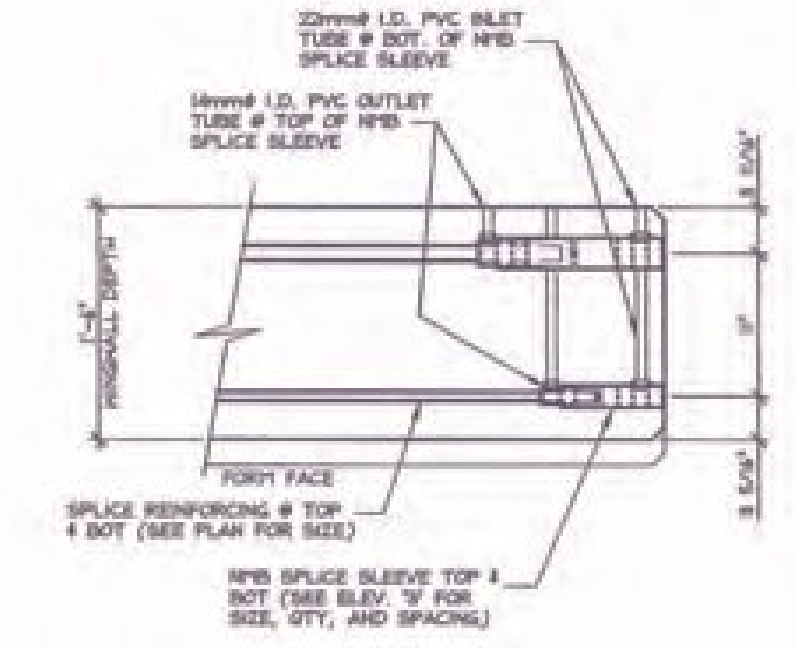
2 DIMENSIONAL PLAN VIEW IN FORM
3/8" = 1'-0"



3 DIMENSIONAL BOT. ELEVATION IN FORM
3/8" = 1'-0"



ELEVATION VIEW



SECTION VIEW

C NMB SPLICE SLEEVE DETAILS
1" = 1'-0"

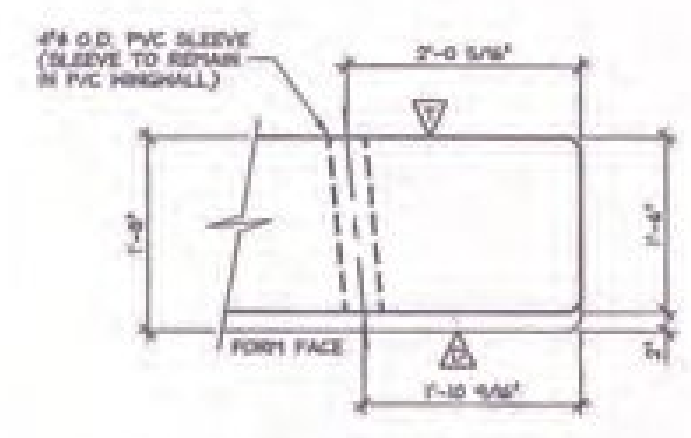
SUBMITTED
JAN 27 2014
J.P. CARRARA & SONS, INC.
MIDDLEBURY, VT 05753

3500 PSI # RELEASE
BASED PSI # 28 DATA
REV DESIGN: 44P00C

NOTE: SEE DRAWING W44.1 FOR REINFORCEMENT

| MARK | SH-W44 | QTY. | 1 | WT. | 34.05 T | YOL. | 19.28 cy |
|--------------------------|--------|---|------|-----|---------|------|----------|
| MATERIAL LIST / WINGWALL | | | | | | | |
| ITEM | MARK | DESCRIPTION | QTY. | | | | |
| 1 | | | | | | | |
| 2 | | | | | | | |
| 3 | | | | | | | |
| 4 | | | | | | | |
| 5 | | 3/4" #4 BOLT (GALV.) | 54 | | | | |
| 6 | | | | | | | |
| 7 | | 180-X NMB SPLICE SLEEVE (EPOXY COATED) | 18 | | | | |
| 8 | | 180-Y NMB SPLICE SLEEVE (EPOXY COATED) | 26 | | | | |
| 9 | | | | | | | |
| 10 | | DAYTON 20740P SHIRT LIFT (BLACK) (WITH RECESS PLUG) | 4 | | | | |
| 11 | | DAYTON 2074R 3/4" SHIRT LIFT (BLACK) (WITH RECESS PLUG) | 2 | | | | |
| 12 | | | | | | | |
| 13 | | | | | | | |
| 14 | | | | | | | |
| 15 | | | | | | | |

Vermont Agency of Transportation
RECEIVED
ON: January 28, 2014
and Checked for
CONFORMANCE
BY: Jennifer Fitch DATE: 02/04/2014



B WEEP HOLE DETAIL
3/8" = 1'-0"

SHOP DRAWING REVIEW

SHOWN AS REQUIRED BY THE CONSTRUCTION CONTRACT DOCUMENTS AND APPROVED, BUT ONLY FOR CONFORMANCE TO THE DESIGN CONCEPT OF THE WORK, AND SUBJECT TO FUTURE MODIFICATIONS AND REVISIONS CONTAINED IN THE CONSTRUCTION CONTRACT DOCUMENTS.

SHOWN AS REQUIRED SHOWN AS CORRECTED

CONTRACTOR OR CONTRACTOR'S AGENT ON THE SHOP DRAWINGS, DESIGN AND REVISIONS MUST OBTAIN CONTRACTOR'S WRITTEN APPROVAL AND SIGNATURE OF THE CONTRACTOR AND APPROVE THE SHOP DRAWINGS AND REVISIONS. THE CONTRACTOR IS RESPONSIBLE FOR OBTAINING ALL NECESSARY PERMITS AND APPROVALS. THE CONTRACTOR'S AGENT MUST OBTAIN ALL NECESSARY PERMITS AND APPROVALS. THE CONTRACTOR'S AGENT MUST OBTAIN ALL NECESSARY PERMITS AND APPROVALS. THE CONTRACTOR'S AGENT MUST OBTAIN ALL NECESSARY PERMITS AND APPROVALS.

VHB
Vermont Highway Builders, Inc.
Date: 02/04/2014
Checked By: A.J. Rosier
Drawn By: T.S. 2014

APPROVAL STAMP:

J.P. CARRARA & SONS INC.
Precast & Prestress Manufacturer
1000 Rte. 102, Middlebury, VT 05753
Tel: (802) 249-4300 Fax: (802) 249-4301

T. BUCK CONSTRUCTION
CONTRACTOR
AUBURN, MAINE

STATE OF VERMONT AGENCY OF TRANSPORTATION
COUNTY OF ADDISON

TOWN OF MIDDLEBURY
ROUTE NO. VT 125, EAST MIDDLEBURY GORGE
BRIDGE NO. 13 PROJECT NO. RS 0174(5)

DATE: OCT. 9, 2013
SCALE: NOTED
CHKD: OFTM: T.D.
JOB NO: 23411-015
DWG. NO: W44

1-27-14 GENERAL REVISION T.D.