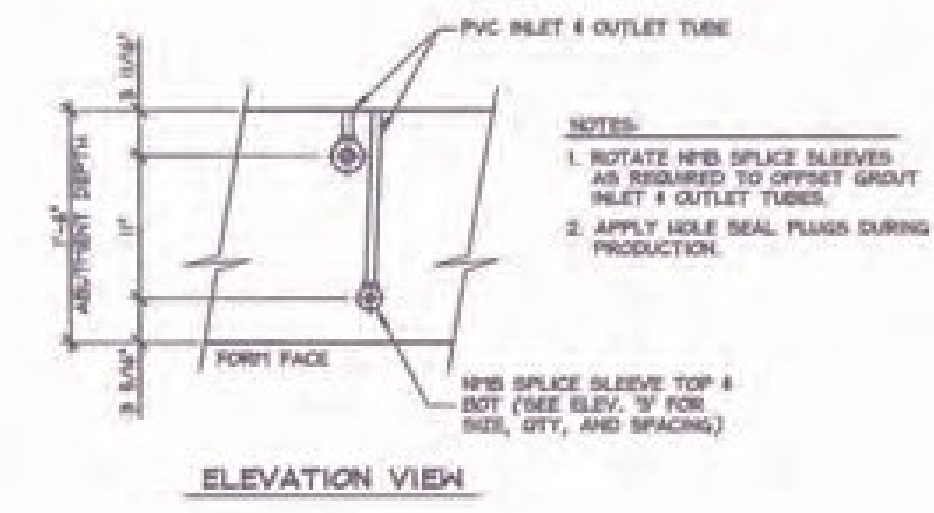
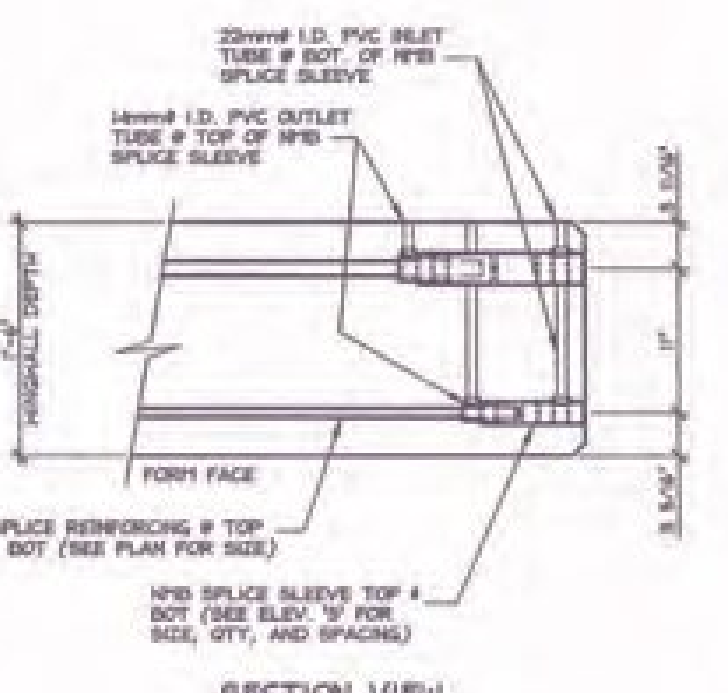


1 DIMENSIONAL TOP ELEVATION IN FORM  
S/8" = 1'-0"



ELEVATION VIEW



SECTION VIEW

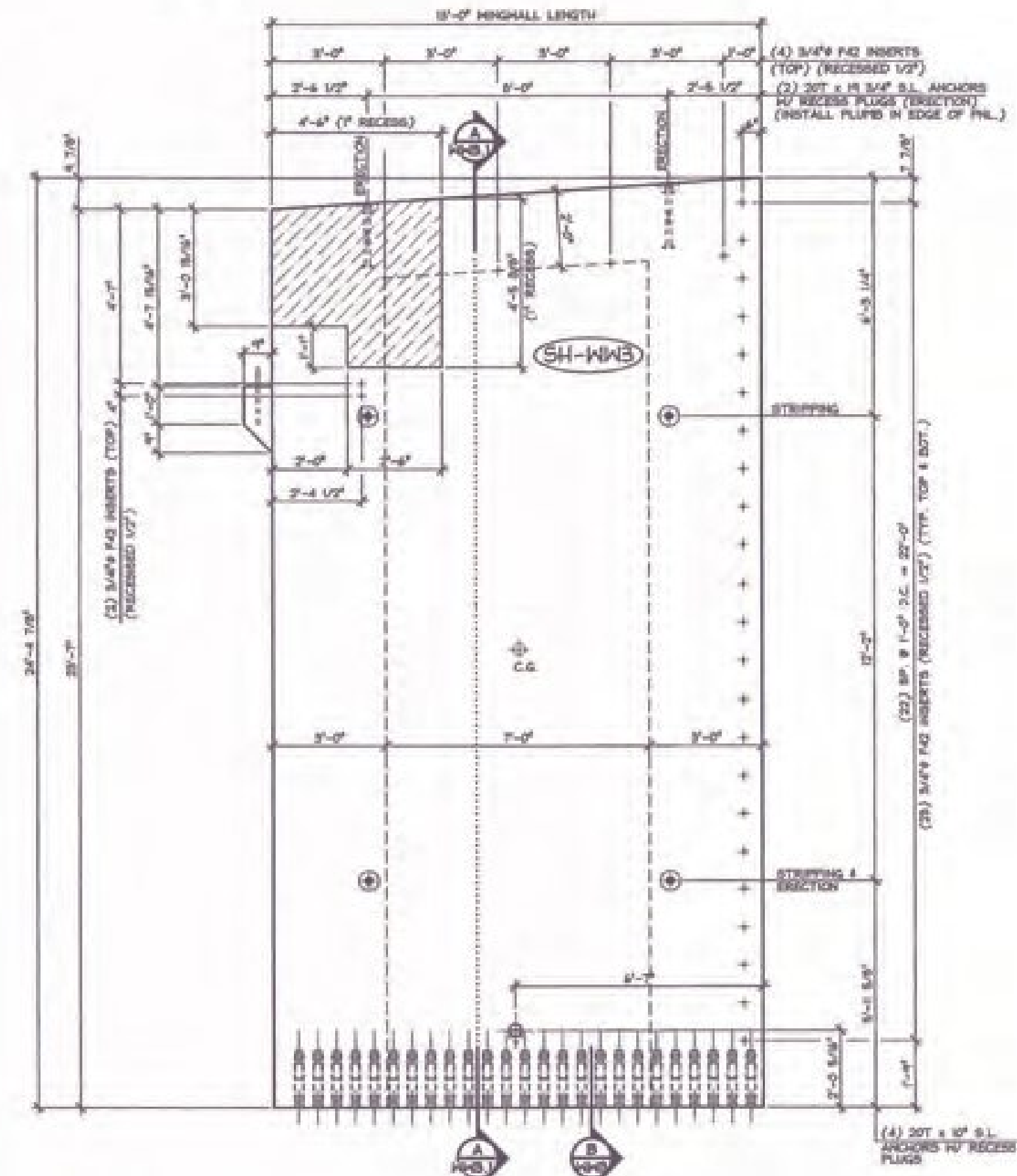
C NMB SPLICE SLEEVE DETAILS  
S/8" = 1'-0"

SUBMITTED  
JAN 27 2014  
J.P. Carrara & Sons, Inc.  
Middlebury, VT 05753

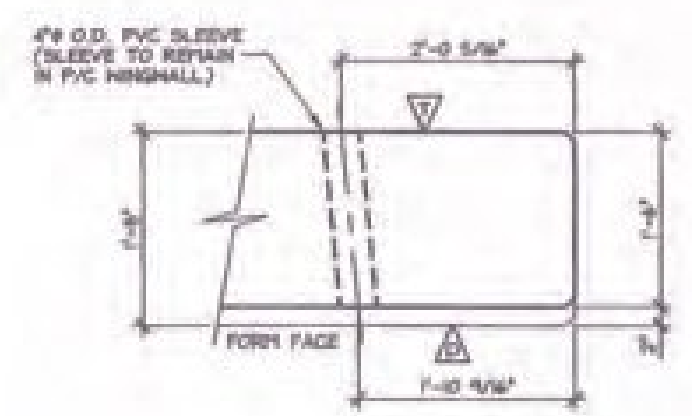
8000 PSI # 8 RELEASE  
8000 PSI # 25 DAYS  
PER DESIGN: AR/BS/C

NOTE: SEE DRAWING H-NB.1 FOR REINFORCEMENT

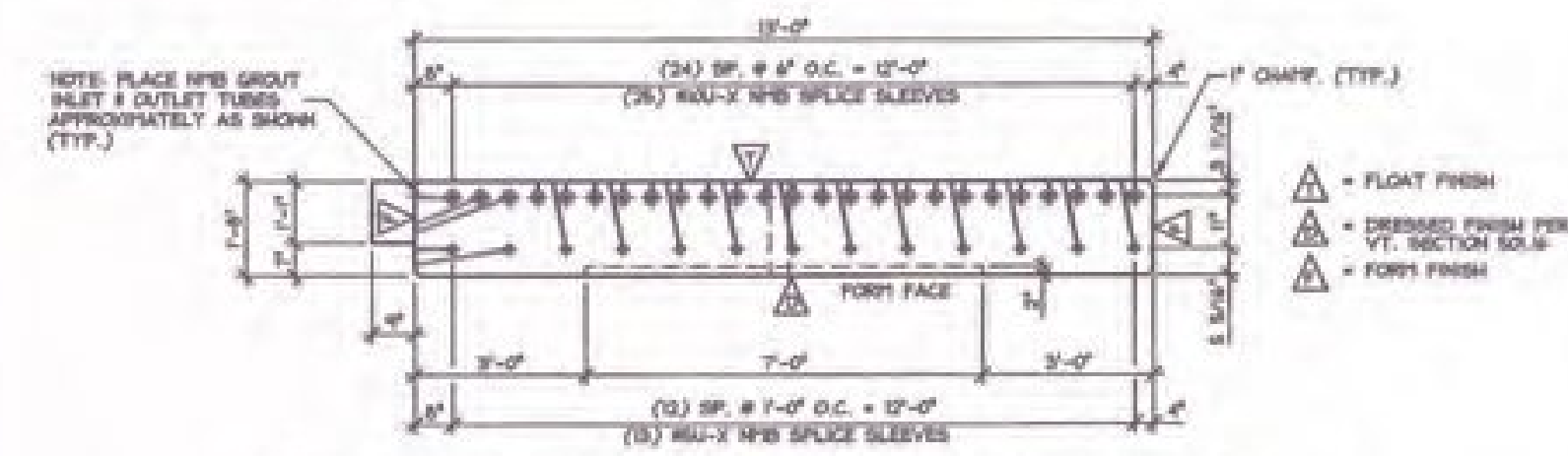
MARKSH-HNB			
ITEM	MARK	DESCRIPTION	QTY.
1			
2			
3			
4			
5		3/8" P42 INSERT (GALV.)	52
6			
7		8R-X NMB SPLICE SLEEVE (EPOXY COATED)	15
8		8R-L NMB SPLICE SLEEVE (EPOXY COATED)	25
9			
10		DAYTON 20T400 SHFT LIFT (BLACK) (WITH RECESS PLUG)	4
11		DAYTON 20T400 3/4" SHFT LIFT (BLACK) (WITH RECESS PLUG)	2
12			
13			
14			
15			



2 DIMENSIONAL PLAN VIEW IN FORM  
S/8" = 1'-0"



B WEEP HOLE DETAIL  
S/8" = 1'-0"



3 DIMENSIONAL BOT. ELEVATION IN FORM  
S/8" = 1'-0"

Vermont Agency of Transportation  
**RECEIVED**  
ON: January 28, 2014  
and Checked for  
**CONFORMANCE**  
BY: Jennifer Fitch DATE: 02/04/2014

**SHOP DRAWING REVIEW**

APPROVED AS SHOWN BY THE ARCHITECTURE CONTRACTOR AND APPROVED FOR THE CONTRACTOR BY THE ARCHITECTURE CONTRACTOR AND APPROVED FOR THE CONTRACTOR BY THE ARCHITECTURE CONTRACTOR.

DATE: 02/04/2014

BY: M.S. Fitch

APPROVAL STAMP:

**J.P. CARRARA & SONS INC.**  
Precast & Prestress Manufacturer

**T. BUCK CONSTRUCTION**  
CONTRACTOR  
AUBURN, MAINE

STATE OF VERMONT AGENCY OF TRANSPORTATION  
COUNTY OF ADDISON

TOWN OF MIDDLEBURY  
ROUTE NO. VT 126, EAST MIDDLEBURY GORGE  
BRIDGE NO. 15 PROJECT NO.: RS 0174(b)

DATE: OCT. 9, 2013  
SCALE: NOTED  
CHKD: DFM: T.D.  
JOB NO: 23411-013  
DWG. NO: WNB

P/C WINGWALL DETAILS

1-27-14 GENERAL REVISION T.D.