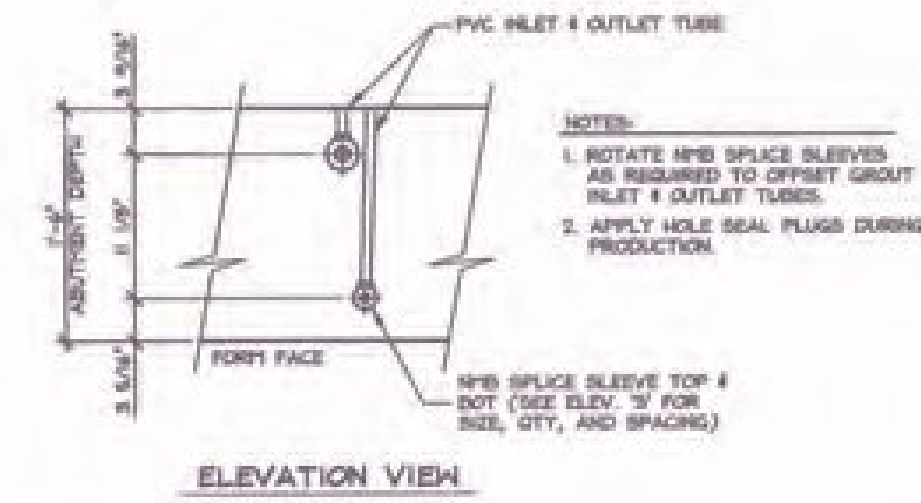
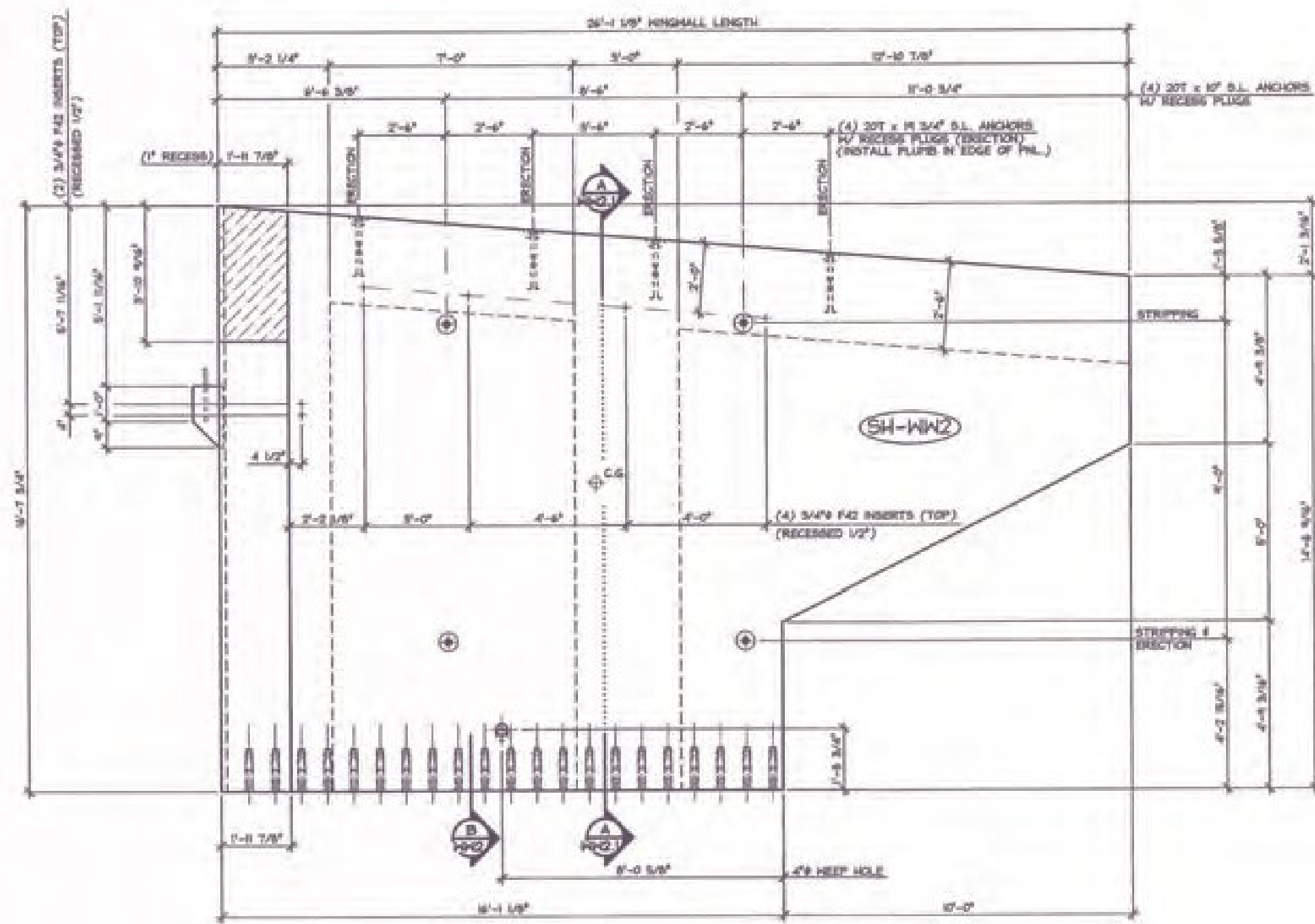


1 DIMENSIONAL TOP ELEVATION IN FORM
3/8" = 1'-0"

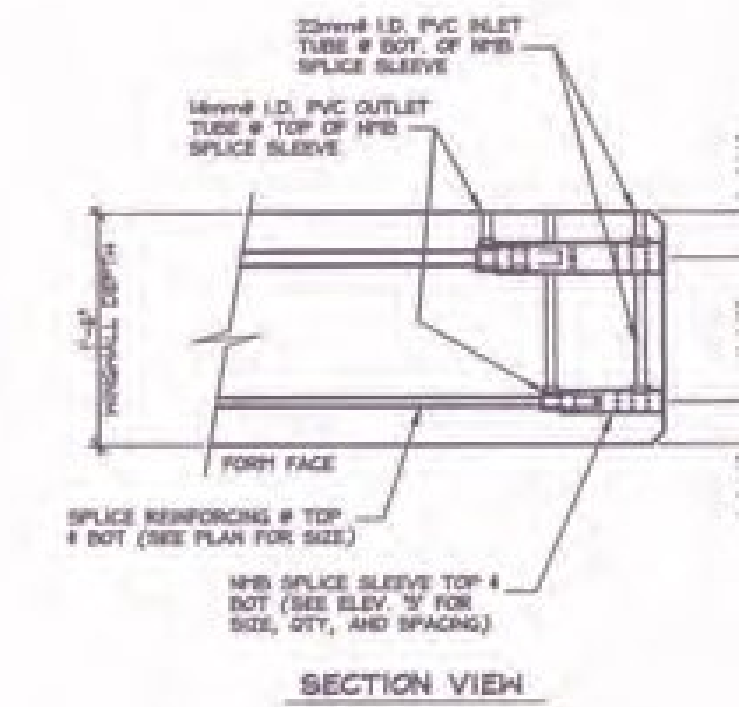


ELEVATION VIEW

NOTES:
1. ROTATE NMB SPLICE SLEEVES AS REQUIRED TO OFFSET GROUT INLET & OUTLET TUBES.
2. APPLY HOLE SEAL PLUGS DURING PRODUCTION.



2 DIMENSIONAL PLAN VIEW IN FORM
3/8" = 1'-0"



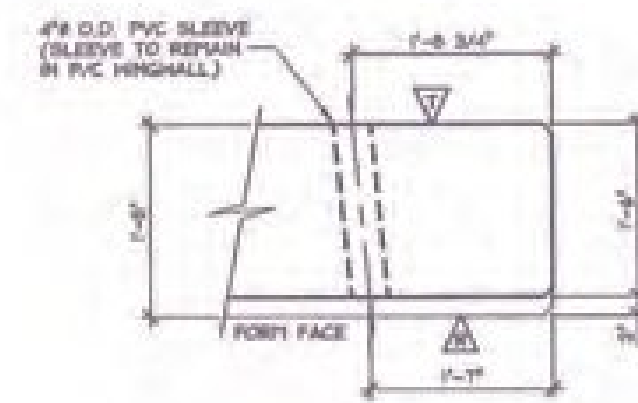
SECTION VIEW

C NMB SPLICE SLEEVE DETAILS
3/8" = 1'-0"

SUBMITTED
JAN 27 2014
J.P. Carrara & Sons, Inc.
Middlebury, VT 05753

6000 PSI # RELEASE
6000 PSI # 28 DAYS
PVC DESIGN: AMRSCC

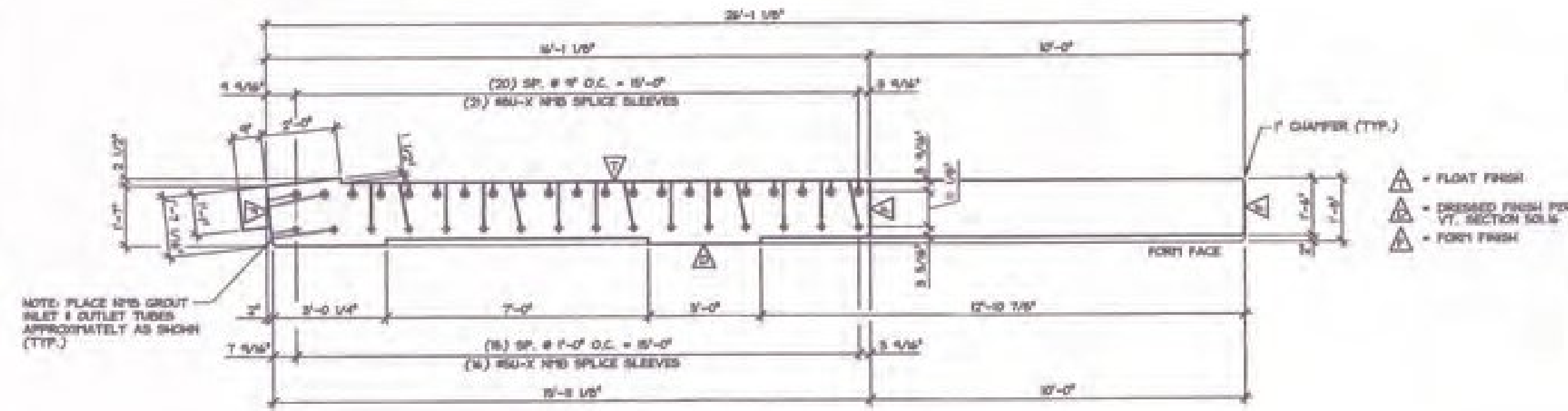
NOTE: SEE DRAWING HW-2.1 FOR REINFORCEMENT



B WEEP HOLE DETAIL
3/8" = 1'-0"

Vermont Agency of Transportation
RECEIVED
ON: January 28, 2014
and Checked for
CONFORMANCE
BY: Jennifer Fitch DATE: 02/04/2014

MARK	SH-WW2	QTY.	WT.	SA, 2 T	VOL.	19.36 cy
MATERIAL LIST / WINGWALL						
ITEM	MARK	DESCRIPTION	QTY.			
1						
2						
3						
4						
5		3/4" x 4" INSERT (GALV.)	4			
6						
7		NSU-X NMB SPLICE SLEEVE (EPOXY COATED)	16			
8		NSU-X NMB SPLICE SLEEVE (EPOXY COATED)	23			
9						
10		DAYTON 20740 SHFT LIFT (BLACK) (WITH RECESS PLUG)	4			
11		DAYTON 20740 3/4" SHFT LIFT (BLACK) (WITH RECESS PLUG)	4			
12						
13						
14						
15						



3 DIMENSIONAL BOT. ELEVATION IN FORM
3/8" = 1'-0"

SHOP DRAWING REVIEW

REVIEWED BY: [Signature] DATE: 1-21-2014

APPROVED BY: [Signature] DATE: 1-21-2014

VHB
Vermont Highway Builders, Inc.

APPROVAL STAMP:

J.P. CARRARA & SONS INC.
Precast & Prestress Manufacturer

T. BUCK CONSTRUCTION
CONTRACTOR
ALBURN, MAINE

STATE OF VERMONT AGENCY OF TRANSPORTATION
COUNTY OF ADDISON

TOWN OF MIDDLEBURY
ROUTE NO. VT 129, EAST MIDDLEBURY GORGE
BRIDGE NO.: 1B PROJECT NO.: RS 0174(6)

P/C WINGWALL DETAILS

DATE: OCT. 9, 2010
SCALE: NOTED
CHKD: DFM: T.D.
JOB NO: 28-41-018
DWG. NO: WW2